

| REV | SCR NO. | DESCRIPTION  | BY   | DATE     | APPROVED |
|-----|---------|--|------|----------|----------|
| -   | 55249   | NEW RELEASE  | R.C. | 03/29/10 | H. COOK  |
| A   | 55347   | ADDED NOTE 8. ADDED DIMENSIONS TO BOARD DETAIL FOR KEEP-OUT AREA. UPDATED NOTE 2 | B.B. | 06/22/10 | H. COOK  |

NOTES:

- REFER TO FOLLOWING TECH BULLETINS FOR VIPER PRODUCT SPECIFICATIONS:  
 TB-2094: VIPER GENERAL PRODUCT SPECIFICATION  
 TB-2095: VIPER CONNECTOR QUALIFICATION PLAN SUMMARY  
 TB-2096: VIPER SIGNAL INTEGRITY CHARACTERIZATION REPORT  
 TB-2097: VIPER SIGNAL TRACE ROUTING GUIDELINES BACKPLANE AND DAUGHTERCARD  
 TB-2098: INSTALLATION OF RIGHT-ANGLE PRESSFIT VIPER DAUGHTERCARD CONNECTORS  
 TB-2099: VIPER CONNECTOR REPAIR PROCEDURES  
 TB-2100: VIPER BACKPLANE CONNECTOR PRESS-FIT INSTALLATION PROCESS
- TYPICAL MODULE TRAY MARKING AS FOLLOWS:  
 LINE 1: VJ773-10001 REV  
 LINE 2: MFR: 55KX1 YYWW  
 LINE 3: QTY
- GUIDE PIN IS INTENDED FOR USE IN 6.35 [.250] MAX THICK PCB. ALTERNATE GUIDANCE/KEY PINS AVAILABLE FOR DIFFERENT BACKPLANE THICKNESSES. CONSULT FACTORY FOR OPTIONS.
- THIS CONFIGURATION AND HOLES ARE REQUIRED TO SUPPORT VITA 46 PRODUCT SPECIFICATION AND ARE NOT REQUIRED FOR VIPER PRODUCT LINE TO BE INSTALLED.
- BACKPLANE KEYING TO BE SPECIFIED BY CUSTOMER WHEN ORDERING. IF NO KEYING SPECIFIED KEYS ARE BAGGED AND SHIPPED UNASSEMBLED WITH CONNECTOR.
- Ø9.00 GROUND PAD PLATED AROUND GUIDE PIN MOUNTING HOLE ON TOP AND BOTTOM SIDES OF BOARD.
- MATES WITH VP773-10001
- REQUIRED KEEP OUT AREA FOR BACKPLANE MODULE INSTALLATION.

GUIDE PIN KEYING REFERENCE

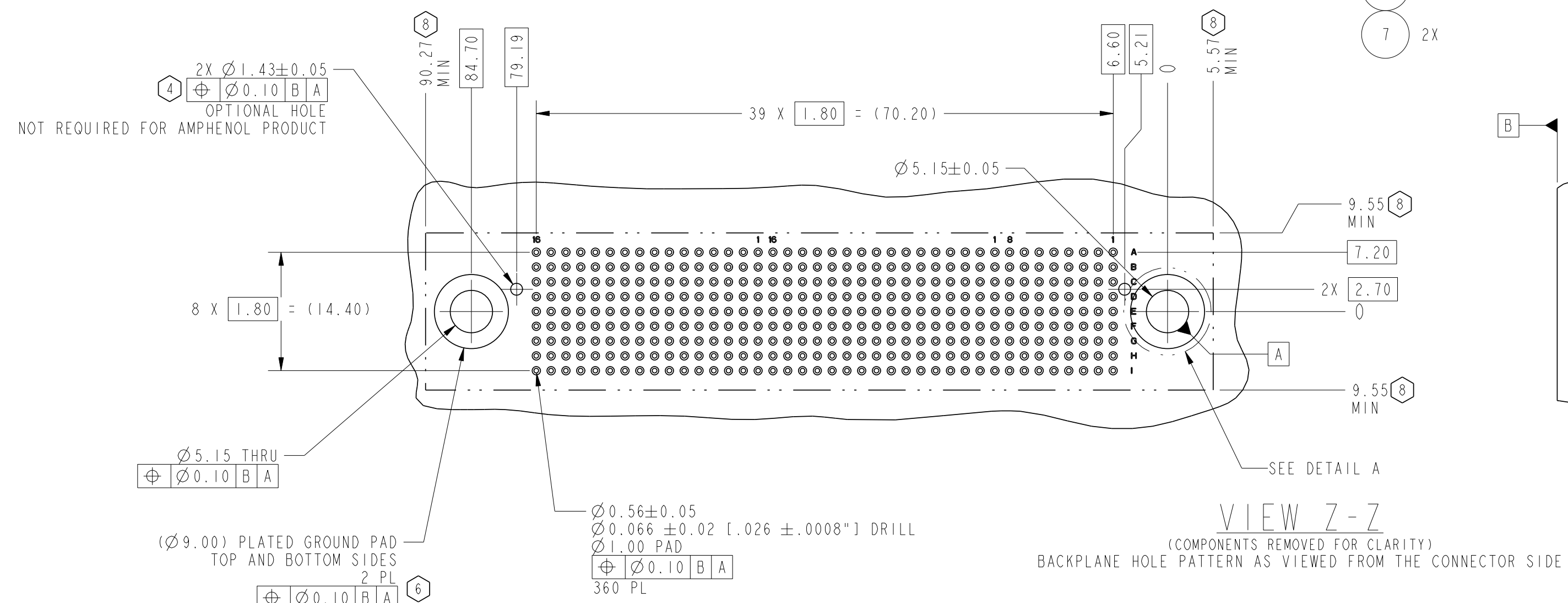
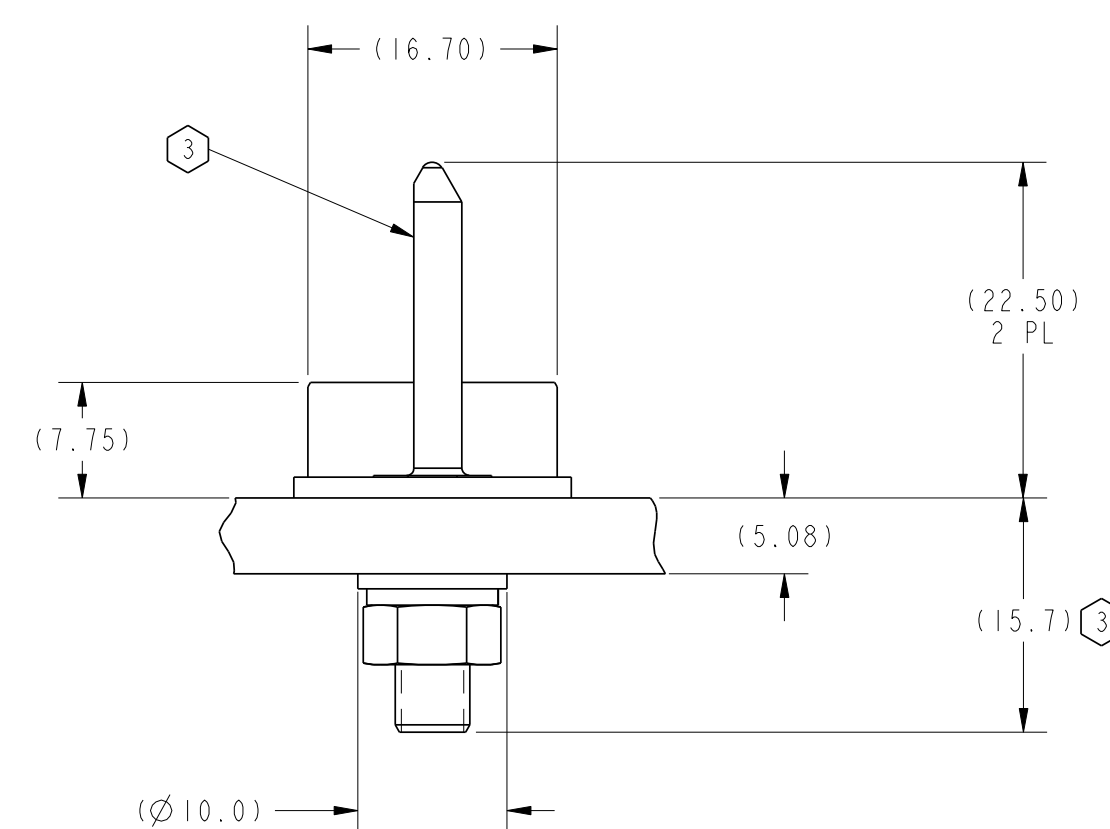
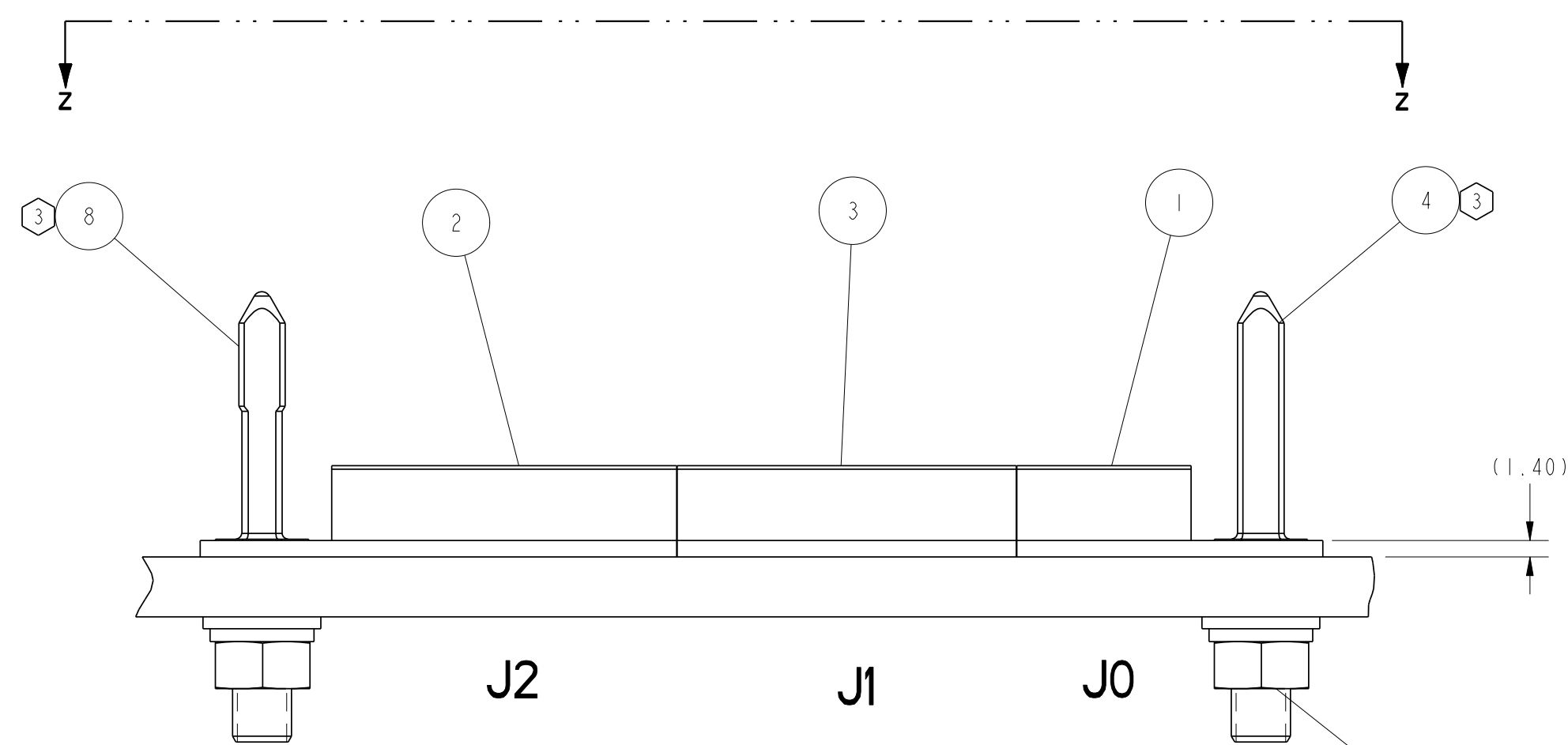
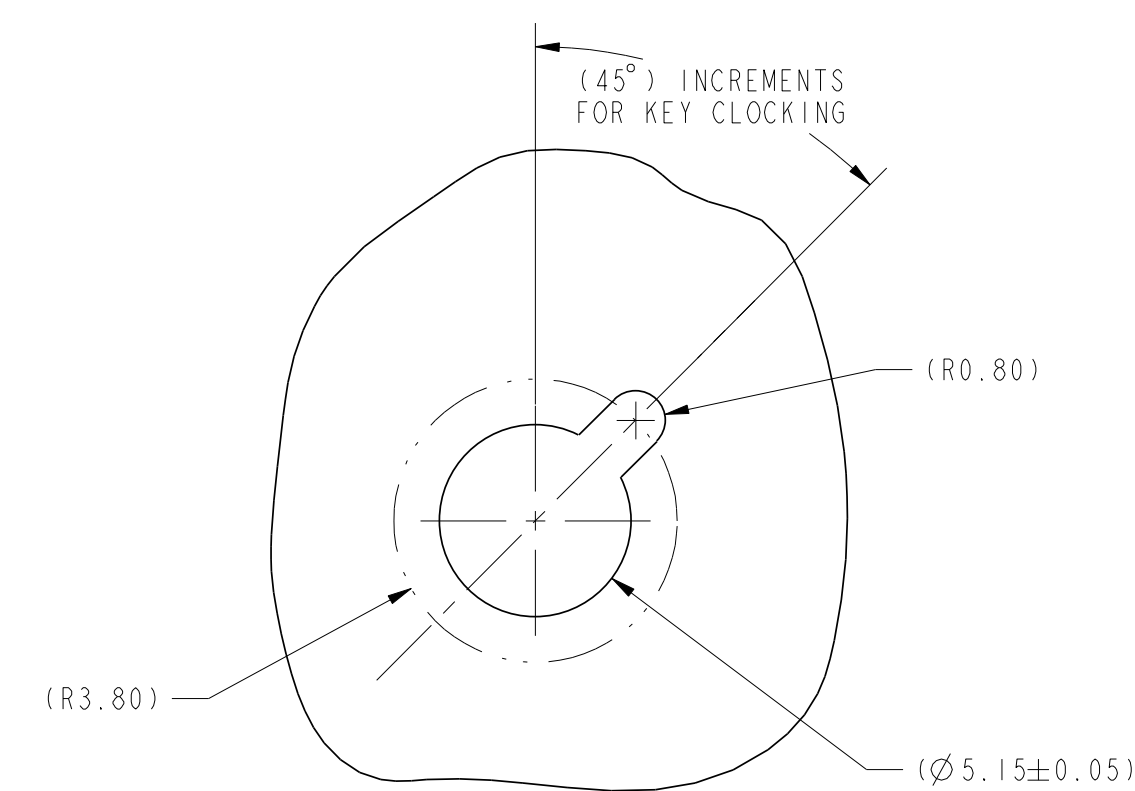
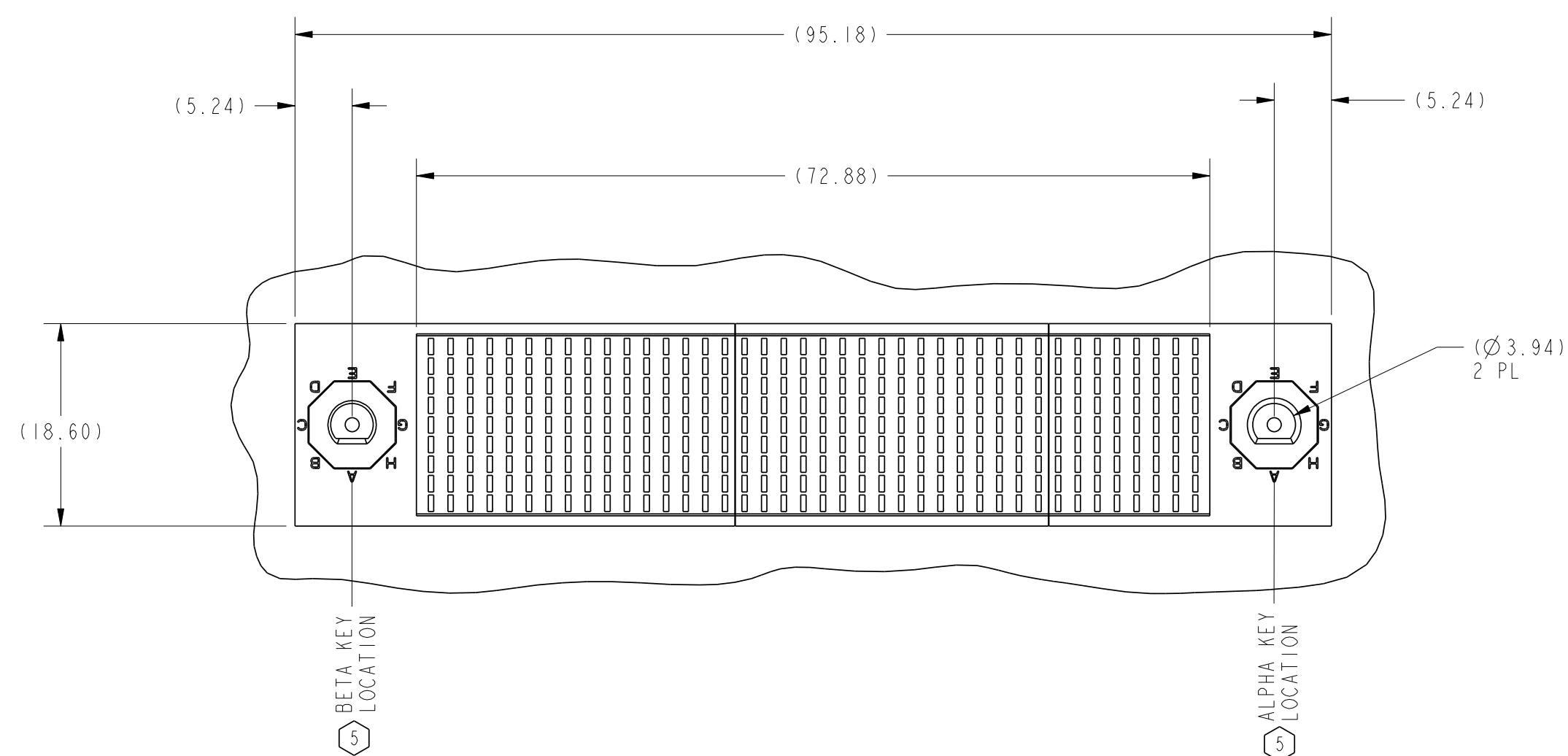
|  |                        |
|--|------------------------|
|  | GUIDE PIN POSITION "A" |
|  | GUIDE PIN POSITION "B" |
|  | GUIDE PIN POSITION "C" |
|  | GUIDE PIN POSITION "D" |
|  | GUIDE PIN POSITION "E" |
|  | GUIDE PIN POSITION "F" |
|  | GUIDE PIN POSITION "G" |
|  | GUIDE PIN POSITION "H" |

BACKPLANE PARTS LIST

| ITEM | PART NUMBER  | DESCRIPTION  | MATERIAL/PLATING  | QTY |
|------|--------------|--|---|-----|
| 1    | 344-5004-000 | 8 POSITION KEYING MODULE ASSEMBLY "J0"               | INSULATOR: LCP UL94 V0 PER MIL-M-24519<br>CONTACTS: OLIN C7025 TM03<br>PLATING: 50µ IN. GOLD OVER 150µ IN. NICKEL<br>TIN-LEAD PLATING ON COMPLIANT PINS | 1   |
| 2    | 344-5002-000 | 16 POSITION KEYING MODULE DIFFERENTIAL ASSEMBLY "J2" | INSULATOR: LCP UL94 V0 PER MIL-M-24519<br>CONTACTS: OLIN C7025 TM03<br>PLATING: 50µ IN. GOLD OVER 150µ IN. NICKEL<br>TIN-LEAD PLATING ON COMPLIANT PINS | 1   |
| 3    | 344-5001-000 | 16 POSITION CENTER MODULE DIFFERENTIAL ASSEMBLY "J1" | INSULATOR: LCP UL94 V0 PER MIL-M-24519<br>CONTACTS: OLIN C7025 TM03<br>PLATING: 50µ IN. GOLD OVER 150µ IN. NICKEL<br>TIN-LEAD PLATING ON COMPLIANT PINS | 1   |
| 4    | 564-0498-000 | GUIDANCE/KEYING PIN                                  | STAINLESS STEEL, TYPE 303, PASSIVATED   | 1   |
| 5    | 800-7667-100 | HEX NUT, METRIC, M5                                  | 316 STAINLESS STEEL, DIN 934  | 2   |
| 6    | 800-7668-100 | FLAT WASHER, METRIC, M5                              | 316 STAINLESS STEEL, DIN 125  | 2   |
| 7    | 800-7669-100 | LOCK WASHER, METRIC, M5                              | 316 STAINLESS STEEL, DIN 127B   | 2   |
| 8    | 564-0508-000 | GUIDEANCE/KEYING PIN                                 | STAINLESS STEEL, TYPE 303, PASSIVATED   | 1   |

- 5
- 5
- 5
- 5
- 5
- 5
- 5

|                           |  |                           |                             |
|---------------------------|--|---------------------------|-----------------------------|
| PROENGINEER PART          | TOLERANCES   | DWN 01/04/10              | <b>Amphenol Corporation</b> |
| VJ77310001.ASSEM          | 0.0 ±  | R. CHIFFY                 | AMPHENOL BACKPLANE SYSTEMS  |
| PROENGINEER DRAWING       | 0.00 ±   | CHK 03/25/10              | NASHUA, NH 03063            |
| CVJ77310001               | 0.000 ±  | A. DELLAS                 | TITLE                       |
|                           | ANGLES ±°  | APVD 03/29/10             | VIPER VARIANT "A"           |
|                           | UNLESS OTHERWISE SPECIFIED DIMENSIONS ARE IN MILLIMETERS | H. COOK                   | CONNECTOR, BACKPLANE        |
|                           |  |                           | 3U CONFIGURATION            |
| INTERPRET PER ASME Y14.5M | CUSTOMER USE DRAWING                                     | PART NO. VJ773-10001      | REV A                       |
| CODE IDENT 55KX1          |  | DRAWING NO. C-VJ773-10001 | REV A                       |
|                           |  | SIZE D SCALE 2/1          | SHEET 1 OF 2                |



# Mouser Electronics

Authorized Distributor

Click to View Pricing, Inventory, Delivery & Lifecycle Information:

[Amphenol:](#)

[VJ773-10001](#)