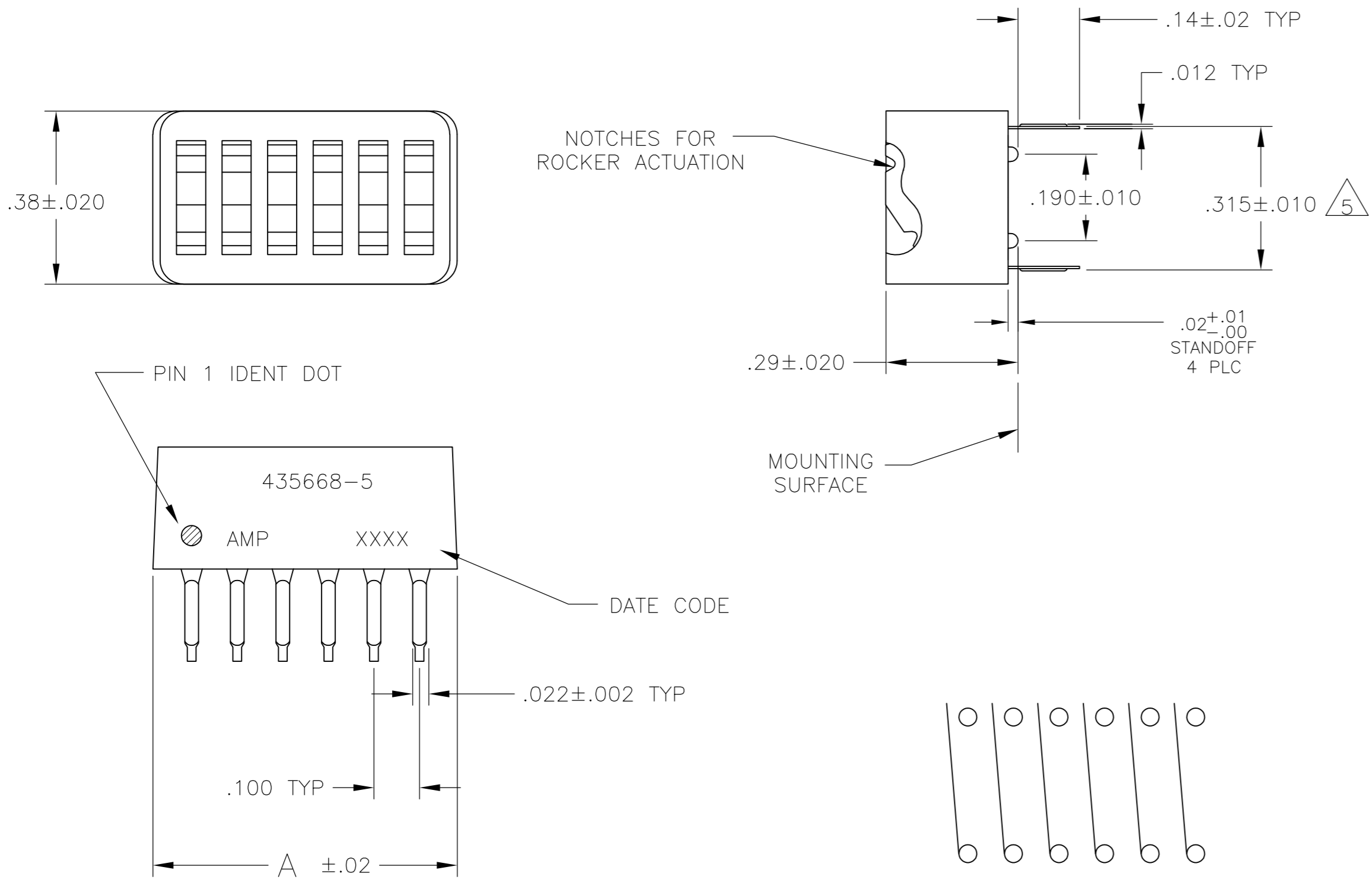


THIS DRAWING IS UNPUBLISHED. RELEASED FOR PUBLICATION
 © COPYRIGHT - By - ALL RIGHTS RESERVED.

LOC	DIST	REVISIONS			
P	LTR	DESCRIPTION	DATE	DWN	APVD
AD	00				
	A2	REVISED PER ECO-11-004917	11MAR11	RK	HMR



- FOR ADDITIONAL SPECIFICATIONS SEE AMP PRODUCT SPEC 108-7532.
- SWITCH SHOWN IN OPEN POSITION.
- ALL CHARACTERS AND ROCKERS ARE WHITE, HOUSING IS BLUE.
- STAMPING WILL VARY ON 2 AND 3 POSITION SIDES DUE TO SPACE RESTRICTIONS.
- $\triangle 5$.315 DIMENSION APPLIES AT TERMINAL TIPS. TERMINALS ARE .300 +.010 AT MOUNTING SURFACE. -.000
- ALL MATERIALS AND FINISHES SHALL COMPLY WITH EU DIRECTIVE 2002 /95/EC OF 27JAN2003 (ROHS).
- $\triangle 7$ MATERIAL: HOUSING AND ROCKERS - POLYESTER CONTACT & SOLDER LEAD - COPPER ALLOY
- $\triangle 8$ FINISH: CONTACT - GOLD OVER NICKEL SOLDER LEAD - TIN OVER NICKEL
- $\triangle 9$ OBSOLETE PARTS: OBSOLETE CIS STREAMLINING PER D.RENAUD/D.SINISI

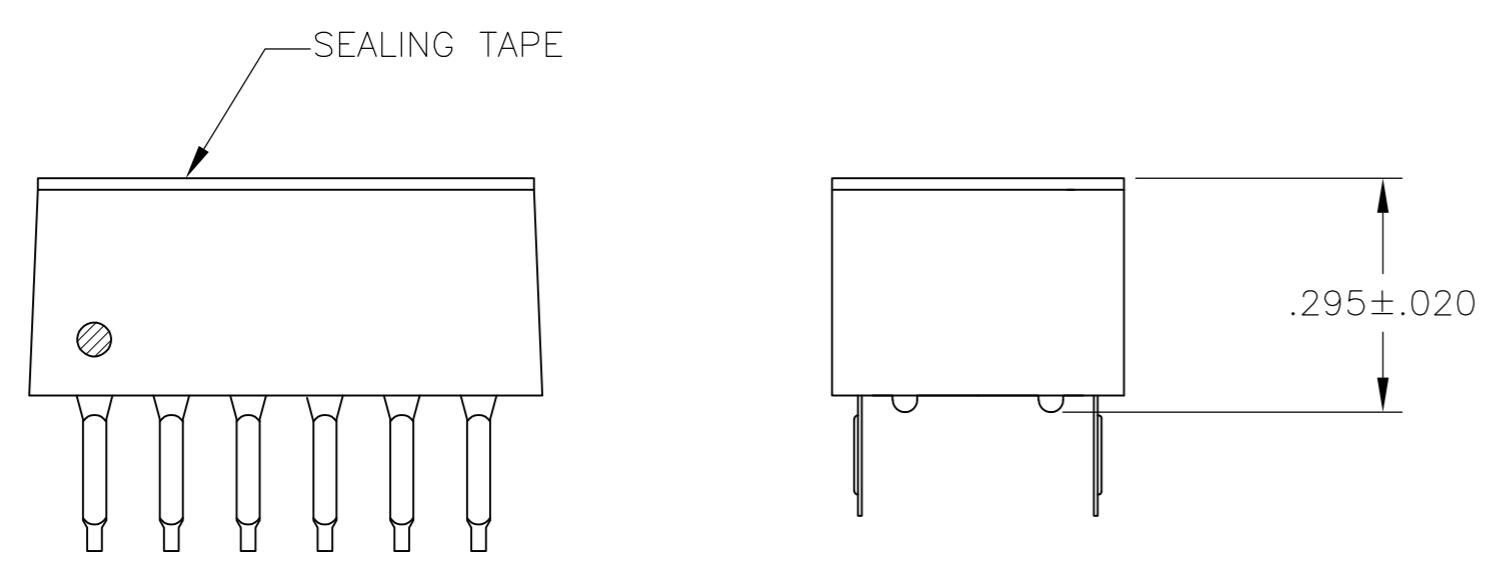
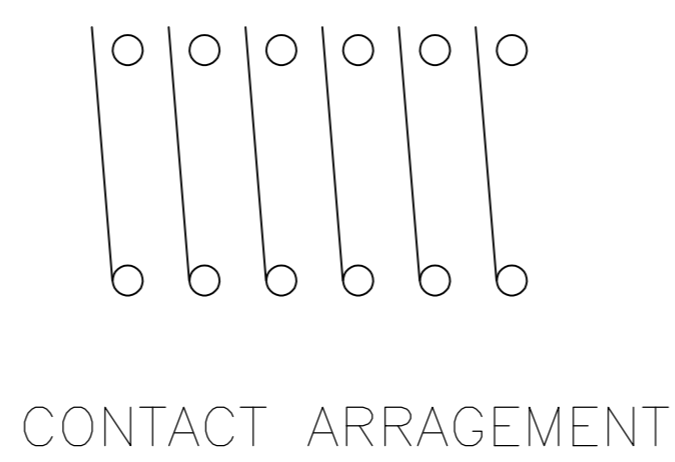
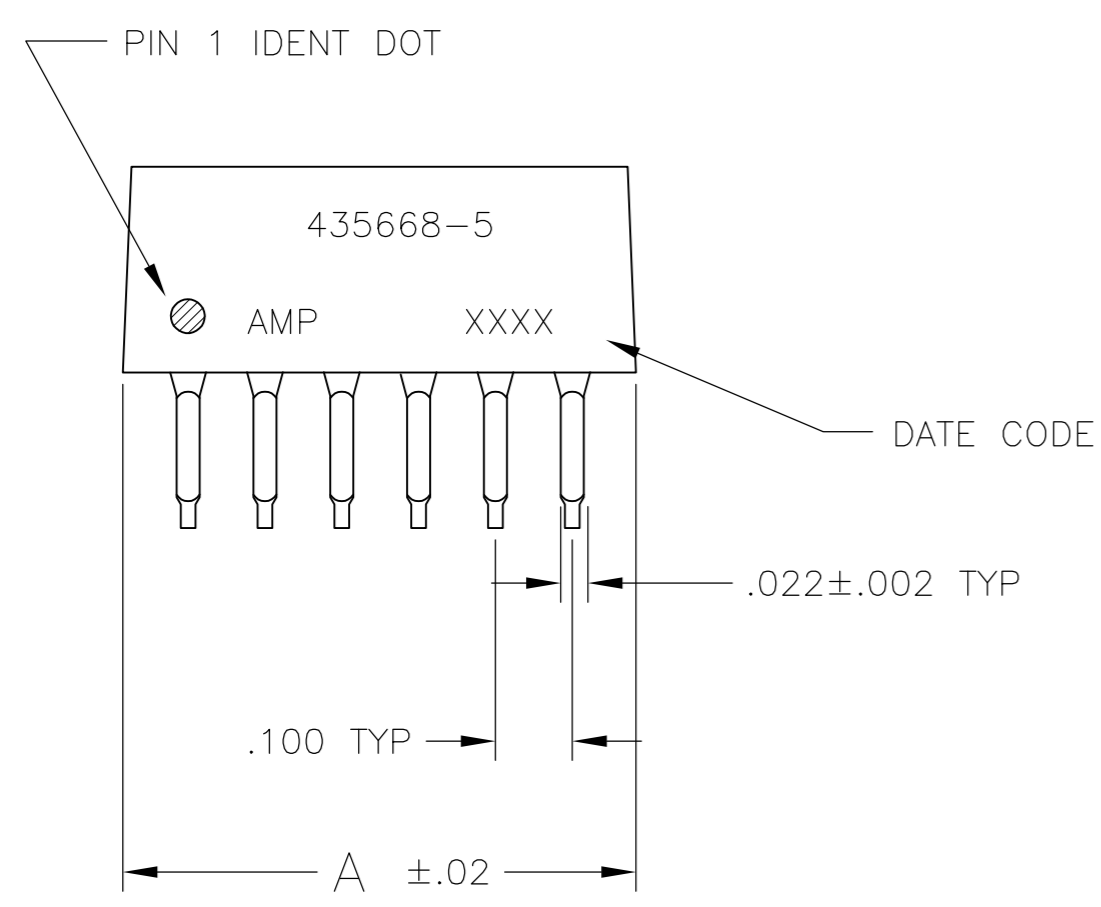


FIG 1

FIG	DESCRIPTION	QTY	UNIT	NO	OF POSN	PART NO
$\triangle 9$ OBSOLETE	FIG 7	—	.58	5	8-5435668-7	
			.58	5	3-5435668-5	
			.48	4	3-5435668-4	
			.38	3	3-5435668-3	
$\triangle 9$ OBSOLETE	FIG 1		1.28	12	3-5435668-2	
$\triangle 9$ OBSOLETE			1.18	11	3-5435668-1	
			1.08	10	3-5435668-0	
$\triangle 9$ OBSOLETE			.98	9	2-5435668-9	
			.88	8	2-5435668-8	
			.78	7	2-5435668-7	
			.28	2	2-5435668-6	
			.68	6	2-5435668-5	
			1.08	10	5435668-9	
			.88	8	5435668-7	
		.68	6	5435668-5		
		.58	5	5435668-4		
		.48	4	5435668-3		
$\triangle 9$ OBSOLETE			.28	2	5435668-1	

THIS DRAWING IS A CONTROLLED DOCUMENT.		DWN BSV	OBJAN05	TE Connectivity	
DIMENSIONS: INCHES		CHK -	APVD -	NAME	
TOLERANCES UNLESS OTHERWISE SPECIFIED:		PRODUCT SPEC -	APPLICATION SPEC -	SWITCH ASSY, DIP, TYPE C, 7100 SERIES, SPST, LOW PROFILE	
0 PLC ± -		WEIGHT -	SIZE A2	CAGE CODE 00779	DRAWING NO C=5435668
1 PLC ± -		CUSTOMER DRAWING	SCALE 4:1	SHEET 1 of 2	REV A2
2 PLC ± -					
3 PLC ± .005					
4 PLC ± -					
ANGLES ± -					
FINISH					

THIS DRAWING IS UNPUBLISHED. RELEASED FOR PUBLICATION
 © COPYRIGHT - By - ALL RIGHTS RESERVED.

LOC	DIST	REVISIONS					
		P	LTR	DESCRIPTION	DATE	DWN	APVD
AD	00	-	-	SEE SHEET 1	-	-	-

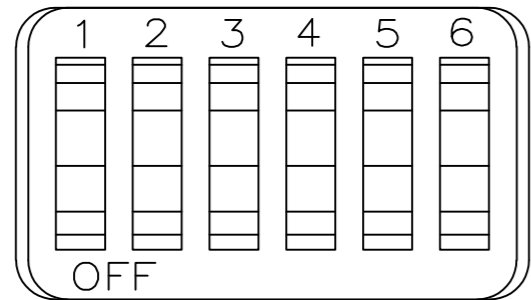


FIG 2

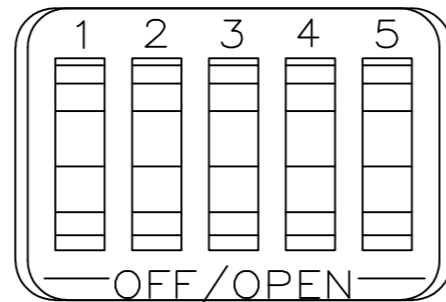


FIG 7

THIS DRAWING IS A CONTROLLED DOCUMENT.		DWN	08JAN05		TE TE Connectivity			
DIMENSIONS: INCHES		BSV						
TOLERANCES UNLESS OTHERWISE SPECIFIED:		CHK			SWITCH ASSY, DIP, TYPE C, 7100 SERIES, SPST, LOW PROFILE			
0 PLC ± -		APVD						
1 PLC ± -		PRODUCT SPEC			SIZE	CAGE CODE	DRAWING NO	RESTRICTED TO
2 PLC ± -		APPLICATION SPEC			A2	00779	C=5435668	-
3 PLC ± .005		WEIGHT			SCALE		SHEET	REV
4 PLC ± -		MATERIAL			4:1		2 of 2	A2
ANGLES ± -		FINISH			CUSTOMER DRAWING			
-		-						

Mouser Electronics

Authorized Distributor

Click to View Pricing, Inventory, Delivery & Lifecycle Information:

[TE Connectivity:](#)

[5435668-7](#)