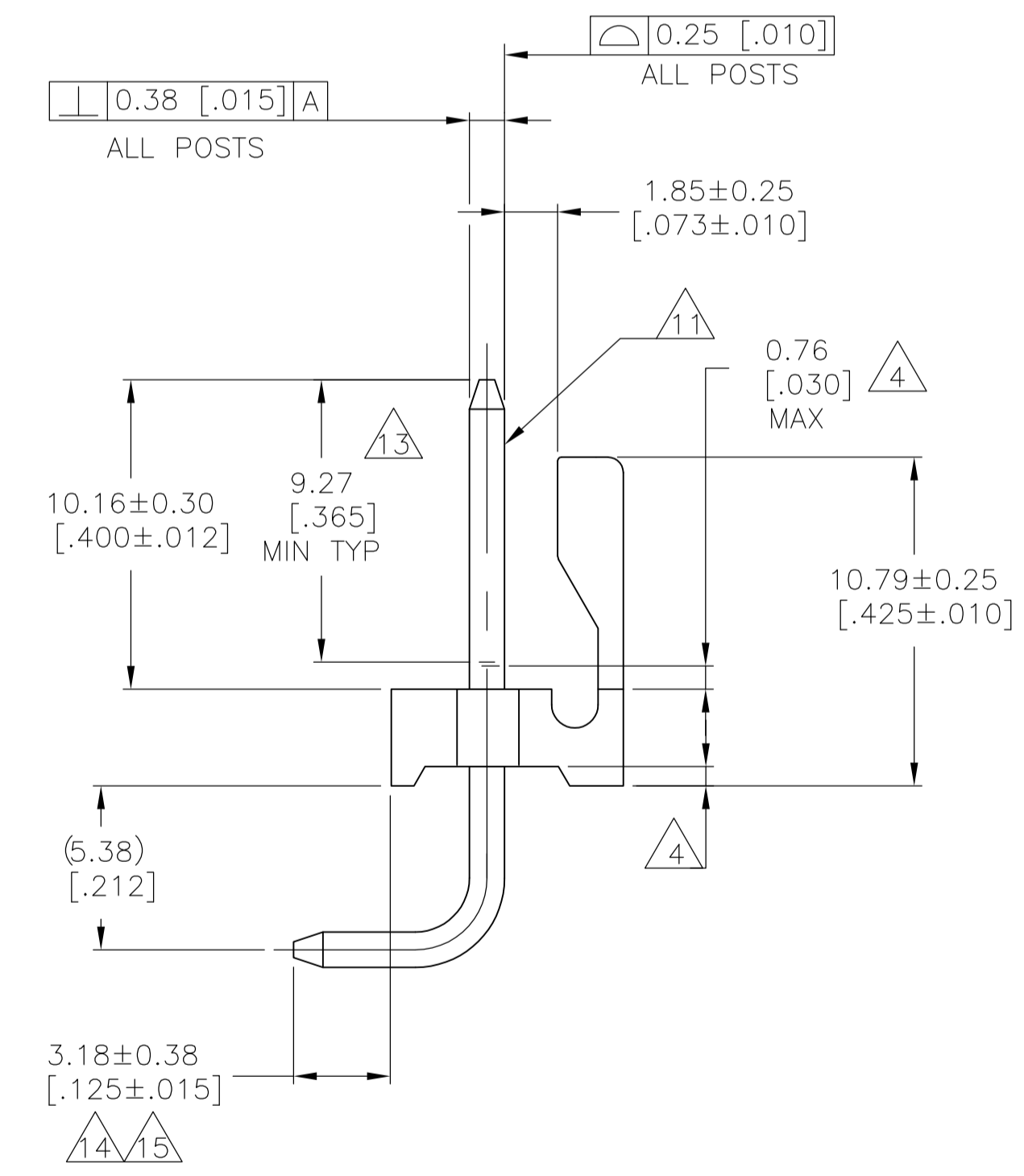
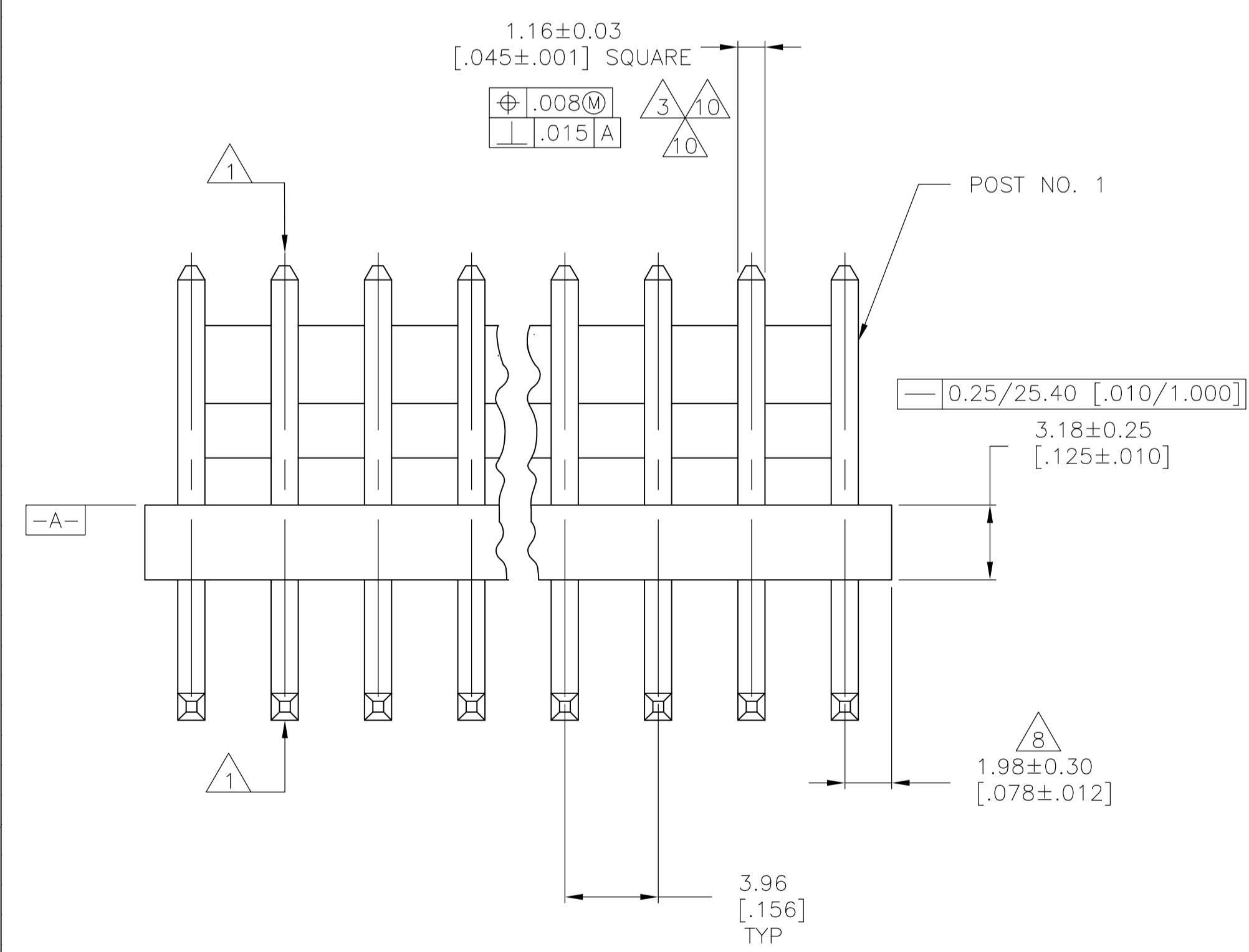
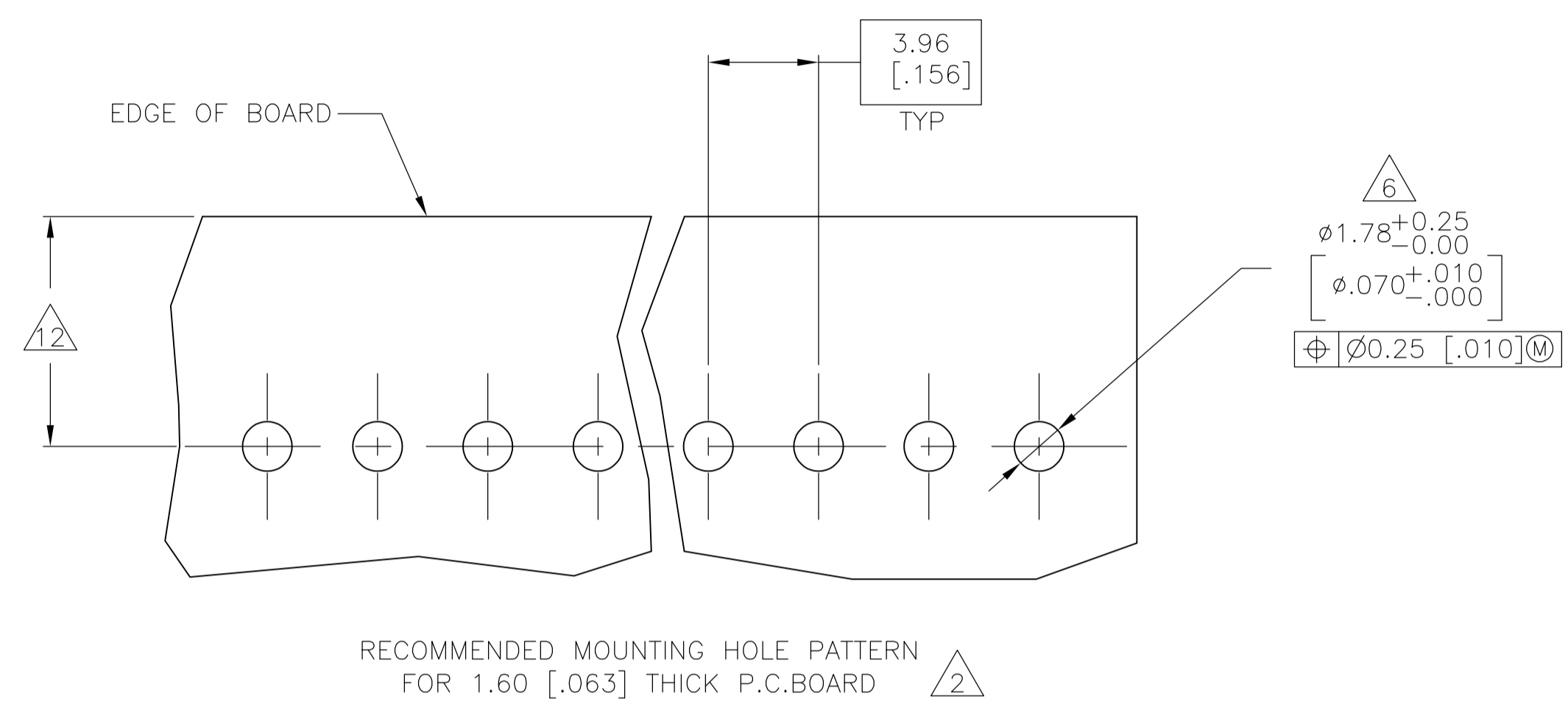
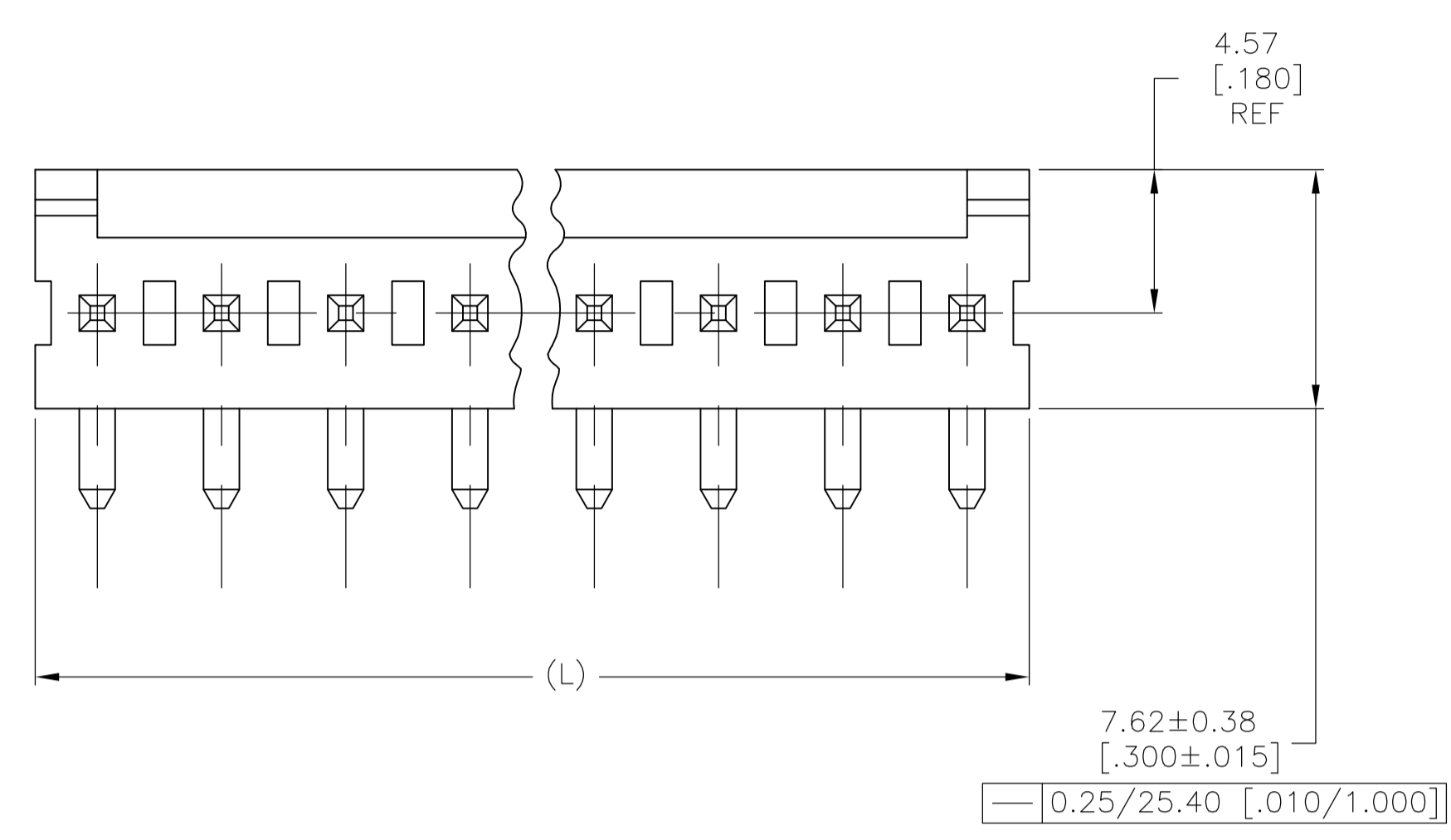


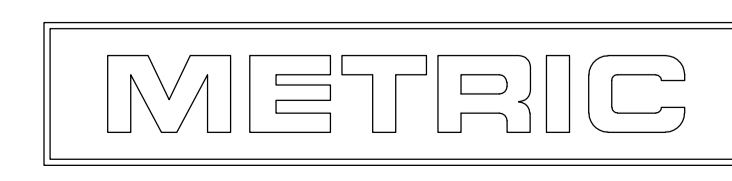
LOC	DIST	REVISIONS			
P	LTR	DESCRIPTION	DATE	DMN	APVD
AE	REVISED PER	ECO-12-016927	04OCT12	KH	SM



FINISH	L		NO. OF POSN	PART NUMBER
	MM	[IN]		
△13/△15	95.10	3.744	24	5-641210-4
△13/△15	91.14	3.588	23	5-641210-3
△13/△15	87.17	3.432	22	5-641210-2
△13/△15	83.21	3.276	21	5-641210-1
△13/△15	79.25	3.120	20	5-641210-0
△13/△15	75.29	2.964	19	4-641210-9
△13/△15	71.32	2.808	18	4-641210-8
△13/△15	67.36	2.652	17	4-641210-7
△13/△15	63.40	2.496	16	4-641210-6
△13/△15	59.44	2.340	15	4-641210-5
△13/△15	55.47	2.184	14	4-641210-4
△13/△15	51.51	2.028	13	4-641210-3
△13/△15	47.55	1.872	12	4-641210-2
△13/△15	43.59	1.716	11	4-641210-1
△13/△15	39.62	1.560	10	4-641210-0
△13/△15	35.66	1.404	9	3-641210-9
△13/△15	31.70	1.248	8	3-641210-8
△13/△15	27.74	1.092	7	3-641210-7
△13/△15	23.77	.936	6	3-641210-6
△13/△15	19.81	.780	5	3-641210-5
△13/△15	15.85	.624	4	3-641210-4
△13/△15	11.89	.468	3	3-641210-3
△13/△15	7.92	.312	2	3-641210-2

FINISH	L		NO. OF POSN	PART NUMBER
	MM	[IN]		
△13/△14	95.10	3.744	24	2-641210-4
△13/△14	91.14	3.588	23	2-641210-3
△13/△14	87.17	3.432	22	2-641210-2
△13/△14	83.21	3.276	21	2-641210-1
△13/△14	79.25	3.120	20	2-641210-0
△13/△14	75.29	2.964	19	1-641210-9
△13/△14	71.32	2.808	18	1-641210-8
△13/△14	67.36	2.652	17	1-641210-7
△13/△14	63.40	2.496	16	1-641210-6
△13/△14	59.44	2.340	15	1-641210-5
△13/△14	55.47	2.184	14	1-641210-4
△13/△14	51.51	2.028	13	1-641210-3
△13/△14	47.55	1.872	12	1-641210-2
△13/△14	43.59	1.716	11	1-641210-1
△13/△14	39.62	1.560	10	1-641210-0
△13/△14	35.66	1.404	9	641210-9
△13/△14	31.70	1.248	8	641210-8
△13/△14	27.74	1.092	7	641210-7
△13/△14	23.77	.936	6	641210-6
△13/△14	19.81	.780	5	641210-5
△13/△14	15.85	.624	4	641210-4
△13/△14	11.89	.468	3	641210-3
△13/△14	7.92	.312	2	641210-2

- △1 POST TO WITHSTAND 13 NEWTONS (3LBS.) MINIMUM AXIAL FORCE IN BOTH DIRECTIONS SHOWN WITHOUT DISLODGING.
- △2 TOLERANCES APPLY TO SOLDER SIDE OF BOARD.
- △3 MEASURED AT SURFACE -A-
- △4 PLASTIC FLASH PERMITTED IN THIS AREA.
- △5 PARTS COMPLY WITH AMP SOLDERABILITY SPEC. NO. 109-11-2.
- △6 ONE HOLE MAY BE UNDERSIZED 1.65-1.52 [.065-.060] DIA. FOR ASSEMBLY RETENTION DURING WAVE SOLDERING.
- △7 MATERIAL: HEADER-THERMOPLASTIC POLYESTER
GLASS-FILLED 94V-0 (NATURAL)
POST-COPPER ALLOY (SEE NOTES 13 & 14 FOR PLATING)
- △8 COORDINATE DIMENSION APPLIES FROM CENTER OF ACTUAL FEATURE.
- △9 PLASTIC BURRS CAUSED BY CUT-OFF TOOLING ARE PERMITTED WITHIN THE MAXIMUM TOLERANCE ENVELOPE.
- △10 POST TO BE MEASURED WHEN STRIP IS HELD FLAT.
- △11 POST MUST WITHSTAND TWO 90° BENDS AGAINST EXTRUSION WITHOUT BREAKING.
- △12 DIMENSION SHOULD BE 8.25-10.16 [.325-.400] WHEN MATING WITH A MTA 156 CONNECTOR ASSEMBLY OR 8.25-10.16 [.325-.345] WHEN MATING WITH A SL-156 CONNECTOR ASSEMBLY.
- △13 PLATING: GOLD PLATE AREA, 0.00076 [.000030] GOLD OR 0.00008 [.000003] MIN GOLD FLASH OVER 0.00068 [.000027] PALLADIUM NICKEL, PER TE CONNECTIVITY'S DISCRETION, ALL SIDES, OVER NICKEL UNDERPLATE, 0.00127 [.000050] MIN, ALL SIDES AND ENTIRE LENGTH OF POST.
- △14 BRIGHT TIN/LEAD (93/7) PLATE AREA, 0.00381-0.0089 [.000150-.000350] THICK, ALL FOUR SIDES, 3.18 [.125] MINIMUM.
- △15 MATTE TIN PLATE AREA, [0.00381-0.0089] [.000150-.000350] THICK, ALL FOUR SIDES, 3.18 [.125] MINIMUM.
- △16 OBSOLETE PARTS: OBSOLETE CIS STREAMLINING PER D.RENAUD/D.SINISI



THIS DRAWING IS A CONTROLLED DOCUMENT.

DIMENSIONS: mm [INCHES]

TOLERANCES UNLESS OTHERWISE SPECIFIED:

0 PLC	±	-
1 PLC	±	-
2 PLC	±	-
3 PLC	±	.005
4 PLC	±	-
ANGLES	±	-

MATERIAL: △7 FINISH: △8

STE TE Connectivity

MTA-156 HEADER ASSEMBLY, FRICTION LOCK, RIGHT ANGLE, FRONT BEND .045 SQUARE POST, .000030 GOLD

SIZE: A1 CAGE CODE: 00779 DRAWING NO: 641210

WEIGHT: -

CUSTOMER DRAWING SCALE: 5:1 SHEET: 1 OF 1 REV: AE

Mouser Electronics

Authorized Distributor

Click to View Pricing, Inventory, Delivery & Lifecycle Information:

[TE Connectivity:](#)

[4-641210-2](#)