

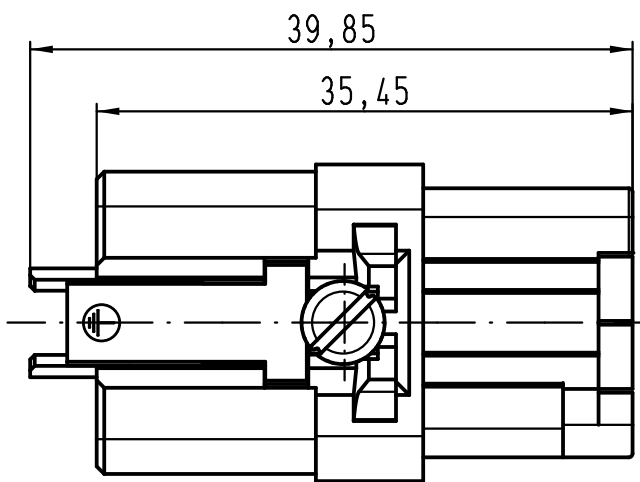
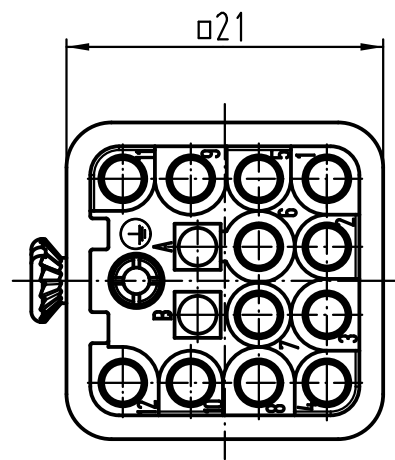
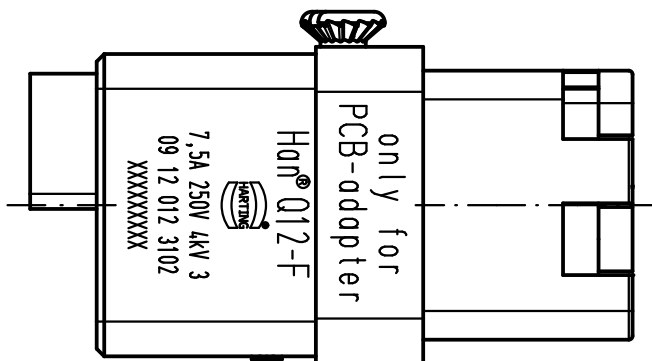
1 2 3 4 5 6

A

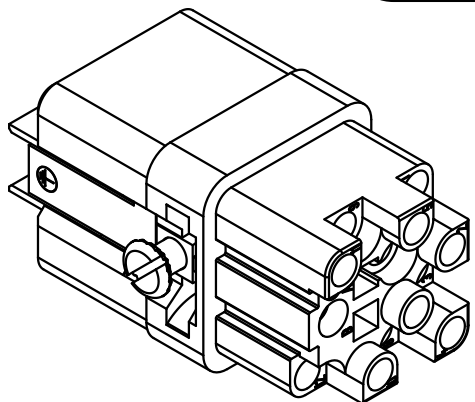
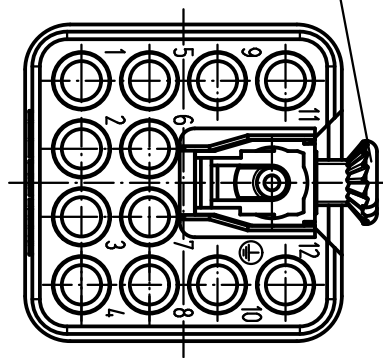
B

C

D



Befestigungsschraube  
lose beigelegt  
*insert fixing screw  
separated enclosed*



All Dimensions in mm Original Size DIN A 4		Techn. Character.			Nicht tolerierte Maß/Free size tolerances	
			Dat.	Name	Maßstab/Scale <b>2:1</b>	<b>Han Q12-F-QL</b> Buchseneinsatz 12polig <i>female insert 12poles</i>
		Detail.	25.02.10	Spr		
		Insp.		Sch		
		Stand.				
B	22.10.10	Spr	HARTING Electric GmbH & Co. KG		TB 09 12 012 3102	Blatt/page
A			D-32339 Espelkamp			
Mod.			Dat.	Name	Sub.	

# Mouser Electronics

Authorized Distributor

Click to View Pricing, Inventory, Delivery & Lifecycle Information:

[HARTING:](#)

[09120123102](#)