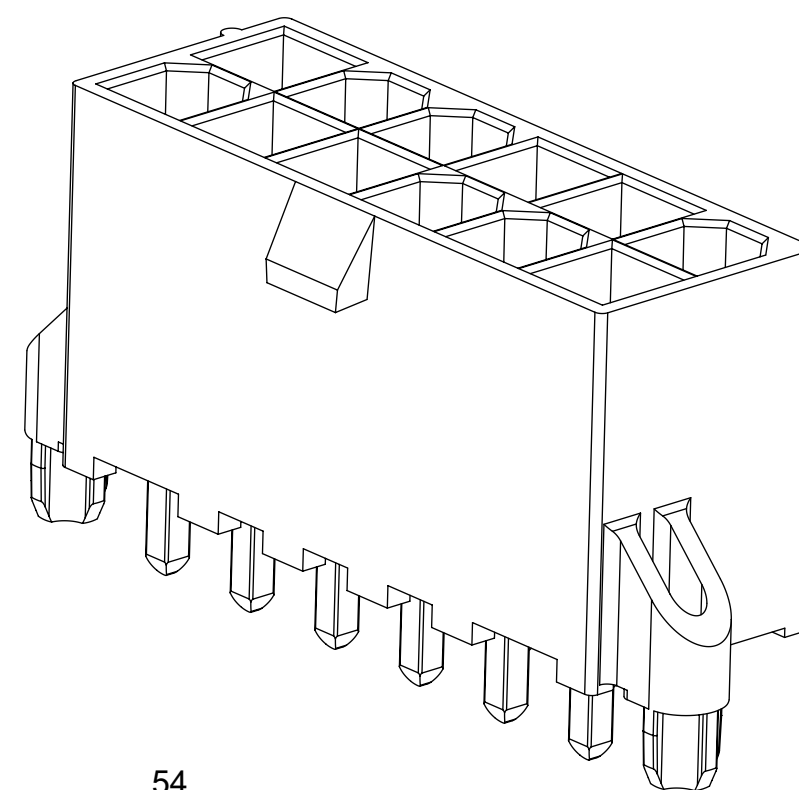
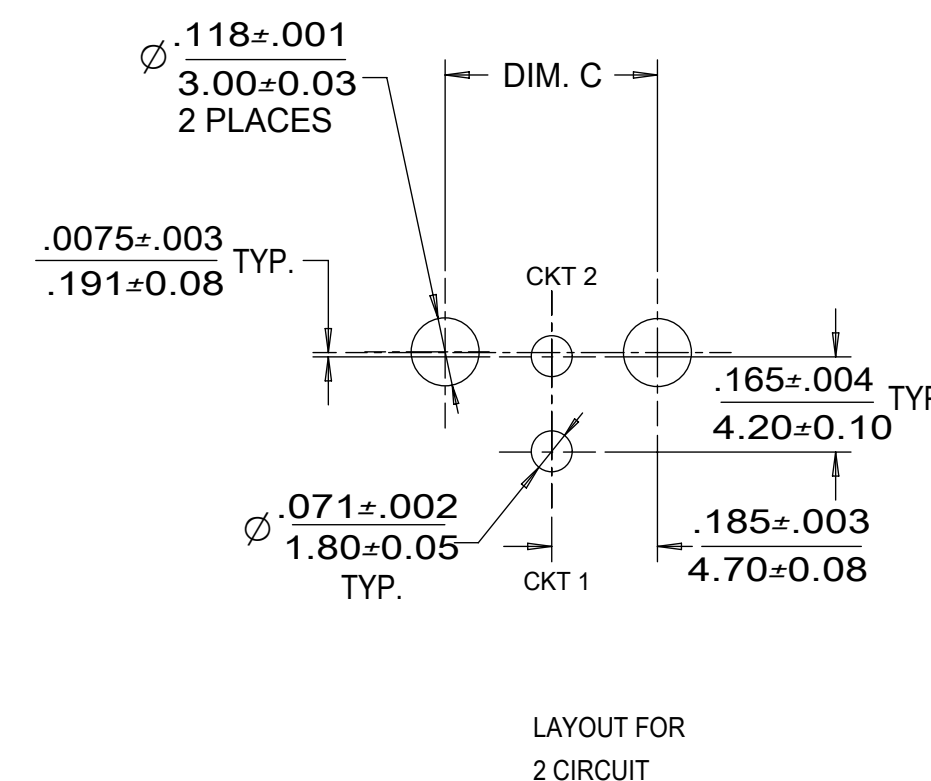
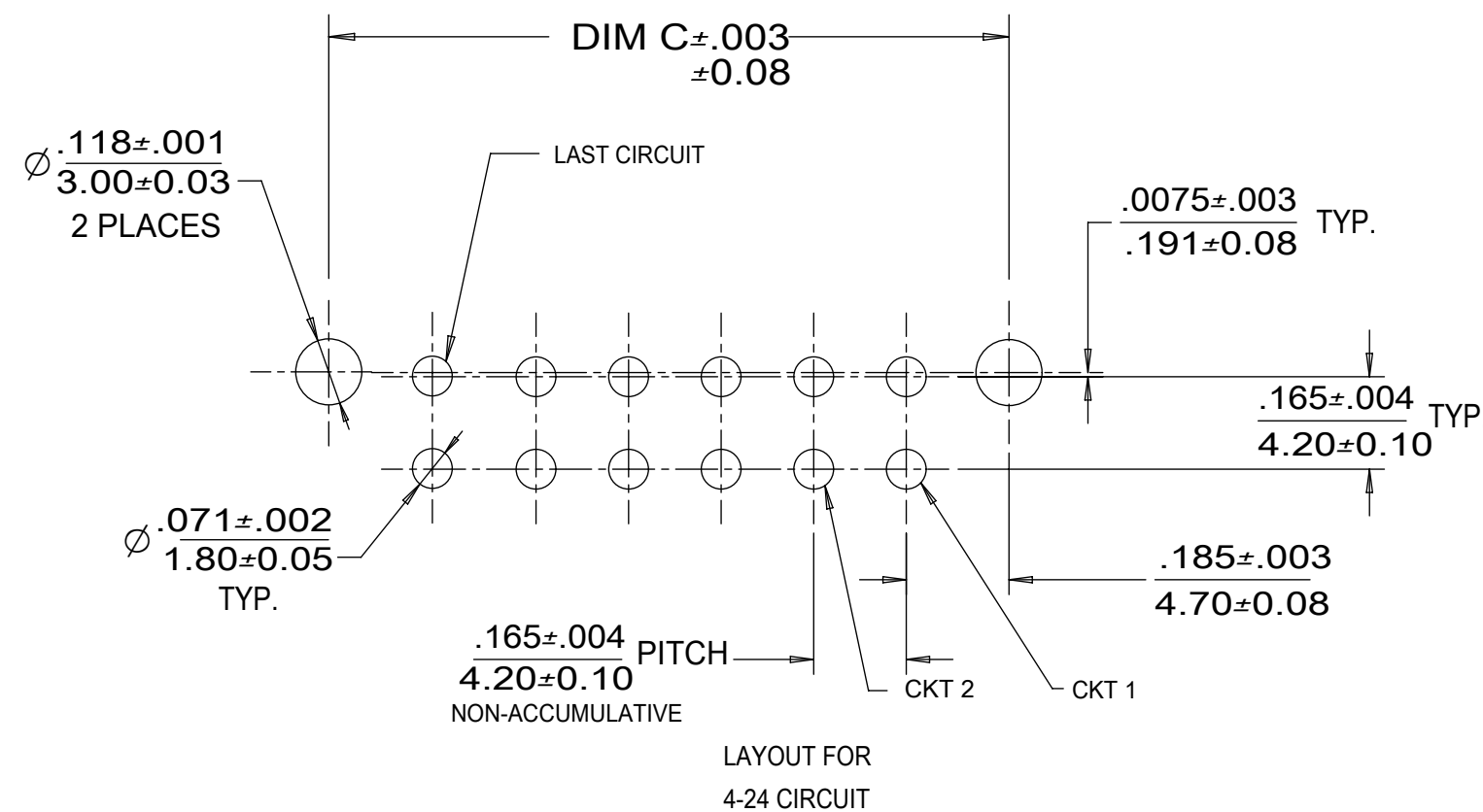
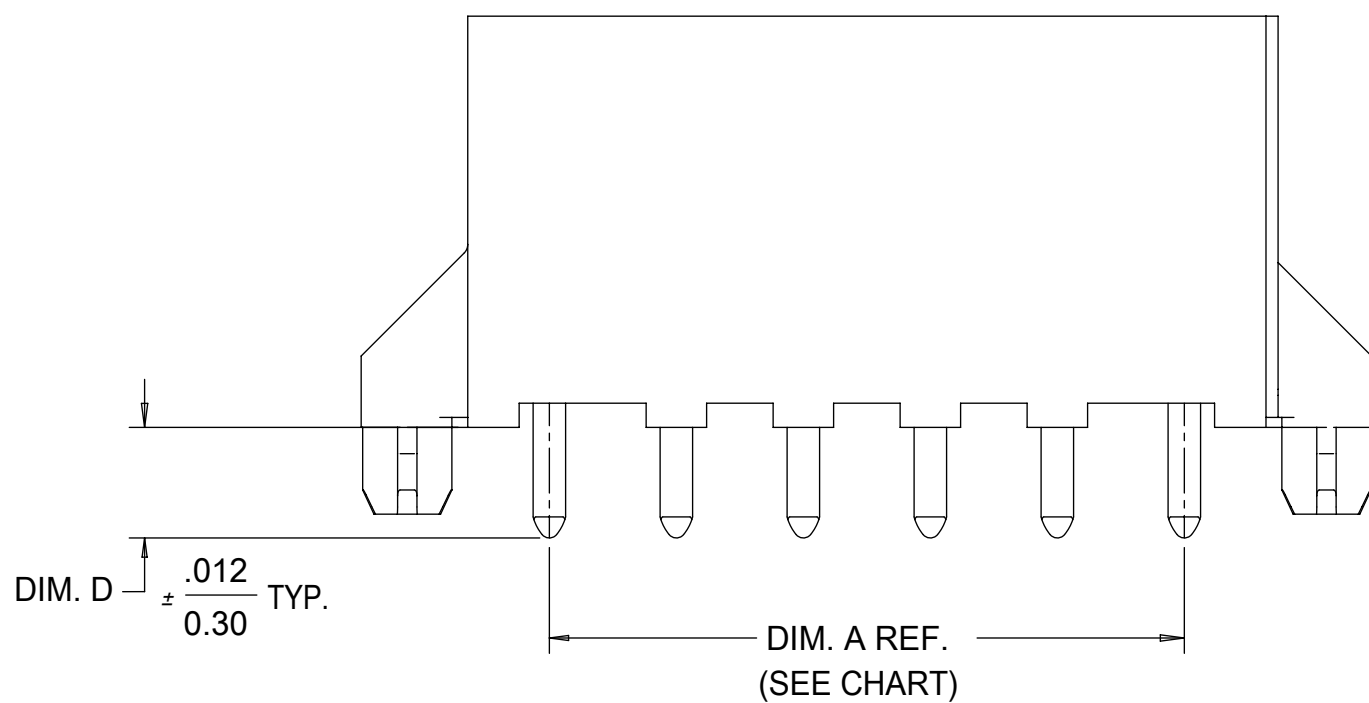
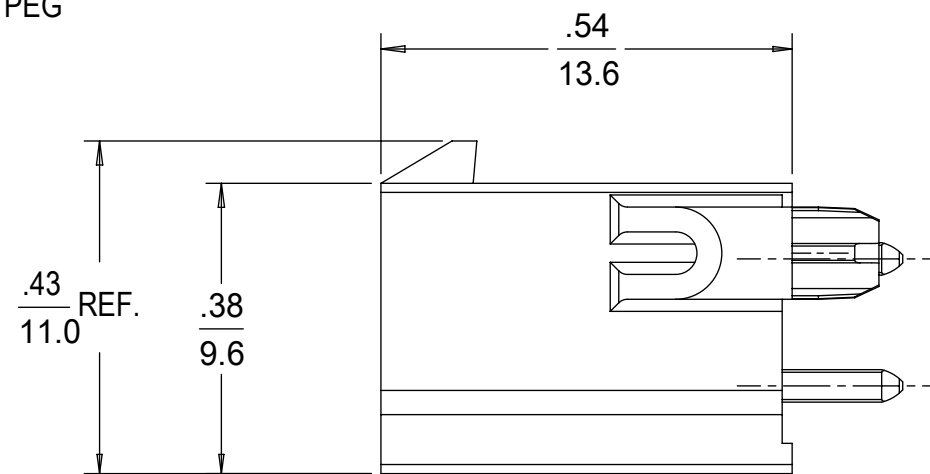
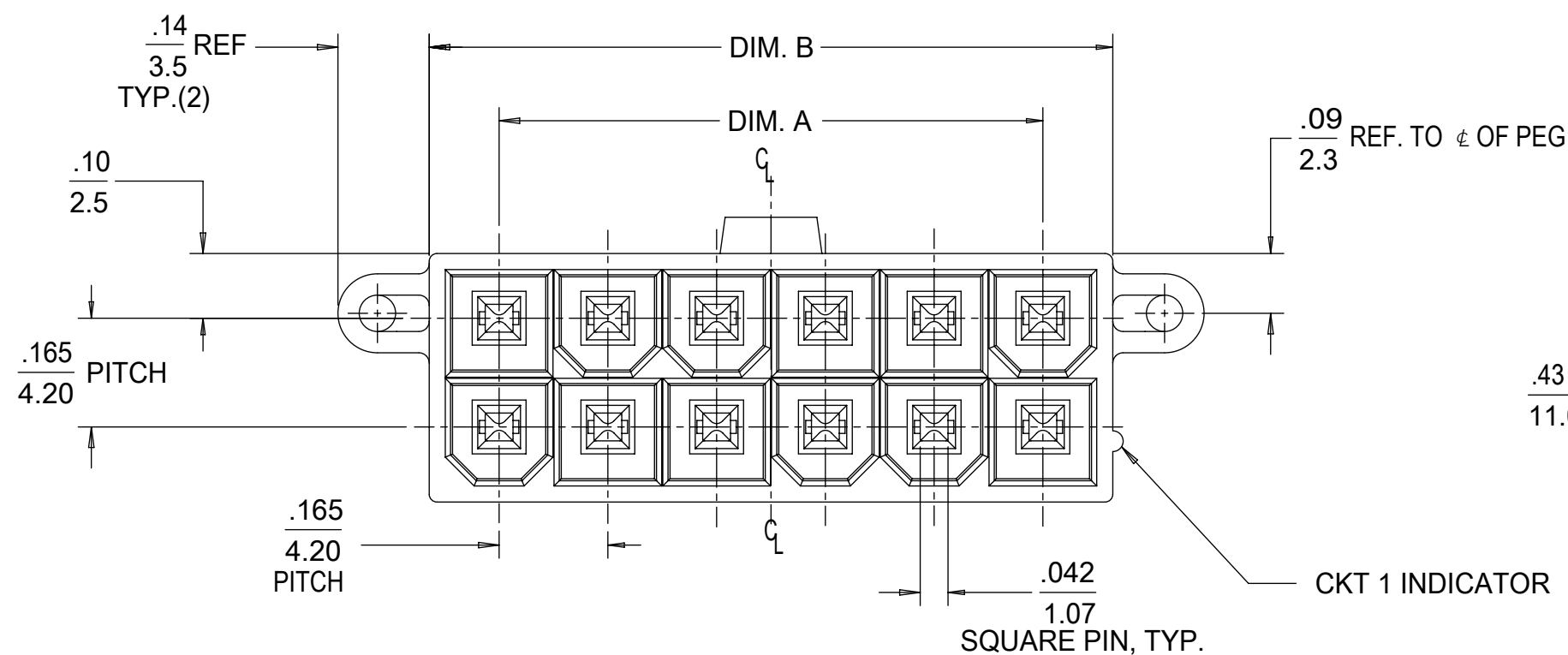


2 CKT SHOWN



ISOMETRIC VIEW
(12 CKT - SHOWN)

CIRCUIT SIZE	DIM. A	DIM. B	DIM. C
02	NA	0.21/5.4	0.37/9.4
04	0.165/4.20	0.38/9.6	0.535/13.60
06	0.331/8.40	0.54/13.8	0.701/17.80
08	0.496/12.60	0.71/18.0	0.866/22.00
10	0.661/16.80	0.87/22.2	1.031/26.20
12	0.827/21.00	1.04/26.4	1.197/30.40
14	0.992/25.20	1.21/30.6	1.362/34.60
16	1.160/29.40	1.37/34.8	1.528/38.80
18	1.323/33.60	1.54/39.0	1.693/43.00
20	1.488/37.80	1.70/43.2	1.858/47.20
22	1.654/42.00	1.87/47.4	2.024/51.40
24	1.819/46.20	2.03/51.6	2.189/55.60



- NOTES:
- MATERIALS:
HOUSING - LIQUID CRYSTAL POLYMER (LCP), GLASS FILLED, UL 94, V-0, COLOR: BLACK
TERMINAL - BRASS ALLOY
 - TERMINAL PLATING:
TIN= .000100/0.00254 MIN MATTE TIN OVER
.000050/0.00127 MIN NICKEL OVERALL
GOLD= .000030/0.00076 MIN. SELECT GOLD AND
.000100/0.00254 MIN. SELECT MATTE TIN OVER
.000050/0.00127 MIN NICKEL OVERALL
 - PRODUCT SPECIFICATION: PS-5556-001 OR PS-45750-001
 - PACKAGING SPECIFICATION:
TRAY PACK PER: PK-46207-001
TAPE AND REEL WITH KAPTON TAPE PER: PK-46207-002
TAPE AND REEL WITHOUT KAPTON TAPE PER: 462070003-PK
 - PART MATES WITH MINIFIT JR RECEPTACLE SERIES 5557
 - DISCOLORIZATION IN THE BANDOLIERS CARRIER AREA OF THE PIN IS INHERENT TO THE PLATING PROCESS AND IS DUE TO THE MASKING EFFECT OF THE CARRIER. THIS DISCOLORIZATION IS A NON-FUNCTIONAL AREA OF THE PIN AND WILL NOT AFFECT THE PERFORMANCE OF THE HEADER ASSEMBLY.

- CONNECTORS ARE NOT TO BE MATED OR UNMATED WHILE CIRCUITS ARE LIVE.
- PARTS ARE NOT DESIGNED FOR CURRENT SHARING.
- THIS PART CONFORMS TO CLASS B REQUIREMENTS OF COSMETIC SPECIFICATION PS-45499-002.
- TEXT ON PART IS FOR REFERENCE ONLY. TEXT AND TEXT LOCATION MAY VARY DEPENDING ON PART NUMBER AND/OR TOOL.
- KAPTON TAPE TO BE APPLIED TO TAPE AND REEL PACKED HEADERS PER PK-46207-002 ONLY. KAPTON TAPE TO BE CENTERED ON PARTS.

RECOMMENDED PCB HOLE LAYOUT COMPONENT SIDE
(SCALE 3:1)

SYMBOLS		THIS DRAWING CONTAINS INFORMATION THAT IS PROPRIETARY TO MOLEX ELECTRONIC TECHNOLOGIES, LLC AND SHOULD NOT BE USED WITHOUT WRITTEN PERMISSION	
▽ = 0	IN/MM	SCALE	CURRENT REV DESC: UPDATE TITLE BLOCK
▽ = 0	4 PLACES ±	4:1	
▽ = 0	3 PLACES ±	GENERAL TOLERANCES (UNLESS SPECIFIED)	
▽ = 0	2 PLACES ±	MM	INCH
▽ = 0	1 PLACE ±	± 0.13	± 0.01
▽ = 0	0 PLACES ±	± 0.25	±
▽ = 0	ANGULAR TOL	± 0.5 °	
▽ = 0	DRAFT WHERE APPLICABLE MUST REMAIN WITHIN DIMENSIONS	THIRD ANGLE PROJECTION	DRAWING SERIES
		C-SIZE	46207
		EC NO: 608045	2018/11/21
		DRWN: SALHAMY	2018/11/22
		CHK'D: FSMITH	2018/11/22
		APPR: FSMITH	2018/11/22
		INITIAL REVISION:	
		DRWN: DROSCA	08/07/2006
		APPR: BWIRKUS	08/07/2006
		DOCUMENT NUMBER	DOC TYPE DOC PART REVISION
		SD-46207-001	PSD 000 D12
		MATERIAL NUMBER	CUSTOMER
		SEE CHART	GENERAL MARKET
			SHEET NUMBER
			1 OF 2

GOLD PLATING						
CIRCUIT SIZE	TAPE & REEL PACK W/ KAPTON TAPE MAT'L NUMBER	TRAY PACKED MATERIAL NUMBER	DIM. D	PCB THICKNESS	TAPE & REEL PACK WITHOUT KAPTON TAPE - MAT'L NO.	
02	462077002	462075002	0.144/3.66	0.062	462077032	
04	462077004	462075004	0.144/3.66	0.062	462077034	
06	462077006	462075006	0.144/3.66	0.062	462077036	
08	462077008	462075008	0.144/3.66	0.062	462077038	
10	462077010	462075010	0.144/3.66	0.062	462077040	
12	462077012	462075012	0.144/3.66	0.062	462077042	
14	462077014	* 462075014	0.144/3.66	0.062	462077044	*
16	462077016	* 462075016	0.144/3.66	0.062	462077046	*
18	462077018	* 462075018	0.144/3.66	0.062	462077048	*
20	462077020	* 462075020	0.144/3.66	0.062	462077050	*
22	462077022	* 462075022	0.144/3.66	0.062	462077052	*
24	462077024	* 462075024	0.144/3.66	0.062	462077054	*
02		462075102	0.176/4.46	0.093		
04		462075104	0.176/4.46	0.093		
06		462075106	0.176/4.46	0.093		
08		462075108	0.176/4.46	0.093		
10		462075110	0.176/4.46	0.093		
12		462075112	0.176/4.46	0.093		
14		462075114	* 0.176/4.46	0.093		
16		462075116	* 0.176/4.46	0.093		
18		462075118	* 0.176/4.46	0.093		
20		462075120	* 0.176/4.46	0.093		
22		462075122	* 0.176/4.46	0.093		
24		462075124	0.176/4.46	0.093		
02		462075202	0.207/5.26	0.125		
04		462075204	0.207/5.26	0.125		
06		462075206	0.207/5.26	0.125		
08		462075208	0.207/5.26	0.125		
10		462075210	0.207/5.26	0.125		
12		462075212	0.207/5.26	0.125		
14		462075214	* 0.207/5.26	0.125		
16		462075216	* 0.207/5.26	0.125		
18		462075218	* 0.207/5.26	0.125		
20		462075220	* 0.207/5.26	0.125		
22		462075222	* 0.207/5.26	0.125		
24		462075224	0.207/5.26	0.125		

* DESIGNATES PART NOT RELEASED.
CONTACT FACTORY FOR AVAILABILITY.

* DESIGNATES PART NOT RELEASED
CONTACT FACTORY FOR AVAILABILITY.

TIN PLATING						
TAPE & REEL PACK WITHOUT KAPTON TAPE - MAT'L NO.	CIRCUIT SIZE	TAPE & REEL PACK W/ KAPTON TAPE MAT'L NUMBER	TRAY PACKED MATERIAL NUMBER	DIM. D	PCB THICKNESS	
462073032	02	462073002	462070002	0.144/3.66	0.062	
462073034	04	462073004	462070004	0.144/3.66	0.062	
462073036	06	462073006	462070006	0.144/3.66	0.062	
462073038	08	462073008	462070008	0.144/3.66	0.062	
462073040	10	462073010	462070010	0.144/3.66	0.062	
462073042	12	462073012	462070012	0.144/3.66	0.062	
462073044	* 14	462073014	* 462070014	0.144/3.66	0.062	
462073046	* 16	462073016	* 462070016	0.144/3.66	0.062	
462073048	* 18	462073018	* 462070018	0.144/3.66	0.062	
462073050	* 20	462073020	* 462070020	0.144/3.66	0.062	
462073052	* 22	462073022	* 462070022	0.144/3.66	0.062	
462073054	* 24	462073024	* 462070024	0.144/3.66	0.062	
	02		462070102	0.176/4.46	0.093	
	04		462070104	0.176/4.46	0.093	
	06		462070106	0.176/4.46	0.093	
	08		462070108	0.176/4.46	0.093	
	10		462070110	0.176/4.46	0.093	
	12		462070112	0.176/4.46	0.093	
	14		462070114	* 0.176/4.46	0.093	
	16		462070116	* 0.176/4.46	0.093	
	18		462070118	* 0.176/4.46	0.093	
	20		462070120	* 0.176/4.46	0.093	
	22		462070122	* 0.176/4.46	0.093	
	24		462070124	0.176/4.46	0.093	
	02		462070202	0.207/5.26	0.125	
	04		462070204	0.207/5.26	0.125	
	06		462070206	0.207/5.26	0.125	
	08		462070208	0.207/5.26	0.125	
	10		462070210	0.207/5.26	0.125	
	12		462070212	0.207/5.26	0.125	
	14		462070214	* 0.207/5.26	0.125	
	16		462070216	* 0.207/5.26	0.125	
	18		462070218	* 0.207/5.26	0.125	
	20		462070220	* 0.207/5.26	0.125	
	22		462070222	* 0.207/5.26	0.125	
	24		462070224	0.207/5.26	0.125	

* DESIGNATES PART NOT RELEASED
CONTACT FACTORY FOR AVAILABILITY.

SYMBOLS = 0 = 0 = 0 = 0 = 0 = 0 = 0 = 0	THIS DRAWING CONTAINS INFORMATION THAT IS PROPRIETARY TO MOLEX ELECTRONIC TECHNOLOGIES, LLC AND SHOULD NOT BE USED WITHOUT WRITTEN PERMISSION																
	DIMENSION UNITS		SCALE		CURRENT REV / DESC: UPDATE TITLE BLOCK						 MINI-FIT RTC HI-TEMP VERTICAL HEADER IN LCP, W/PCB PEGS						
	IN/MM		4:1														
	GENERAL TOLERANCES (UNLESS SPECIFIED)										EC NO: 608045 DRWN: SALHAMY 2018/11/21 CHK'D: FSMITH 2018/11/22 APPR: FSMITH 2018/11/22						
	4 PLACES		±		±												
	3 PLACES		±		±	0.005											
	2 PLACES		±	0.13	±	0.01											
	1 PLACE		±	0.25	±												
	0 PLACES		±		±		INITIAL REVISION:										
	ANGULAR TOL		±	0.5 °							DRWN: DROSCA 08/07/2006 APPR: BWIRKUS 08/07/2006						
DRAFT WHERE APPLICABLE MUST REMAIN WITHIN DIMENSIONS				THIRD ANGLE PROJECTION		DRAWING		SERIES		DOCUMENT NUMBER		DOC TYPE		DOC PART		REVISION	
				C-SIZE		46207		SD-46207-001		PSD		000		D12			
SEE CHART				GENERAL MARKET				SHEET NUMBER				2 OF 2					