

4

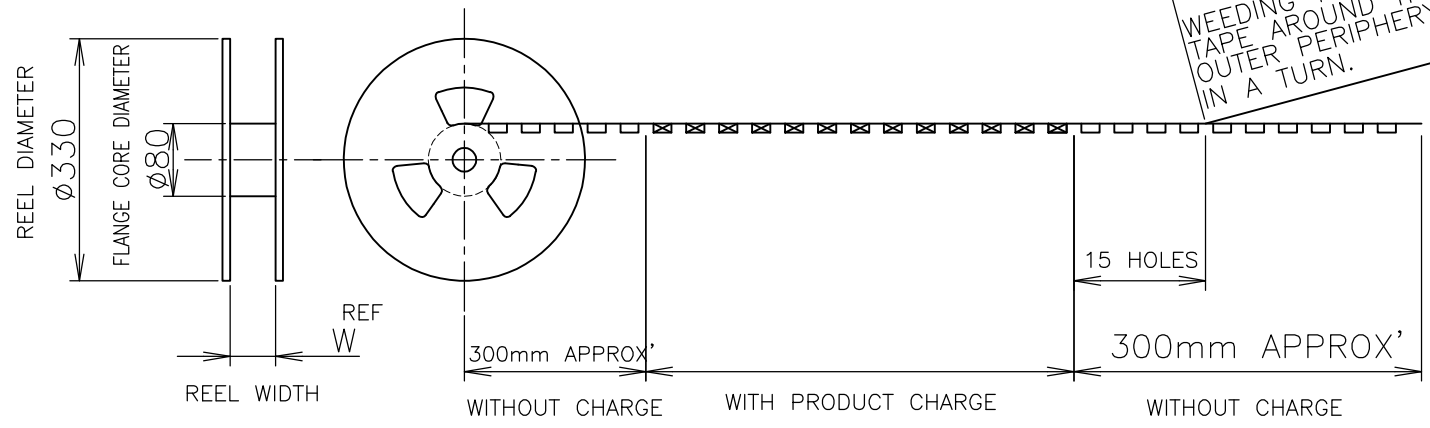
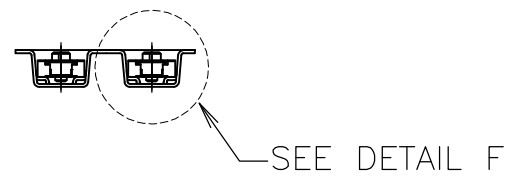
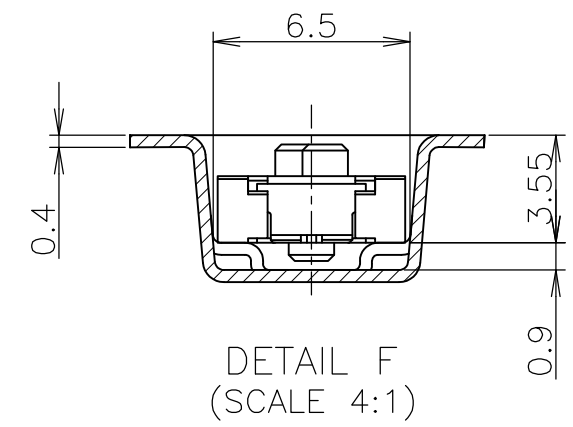
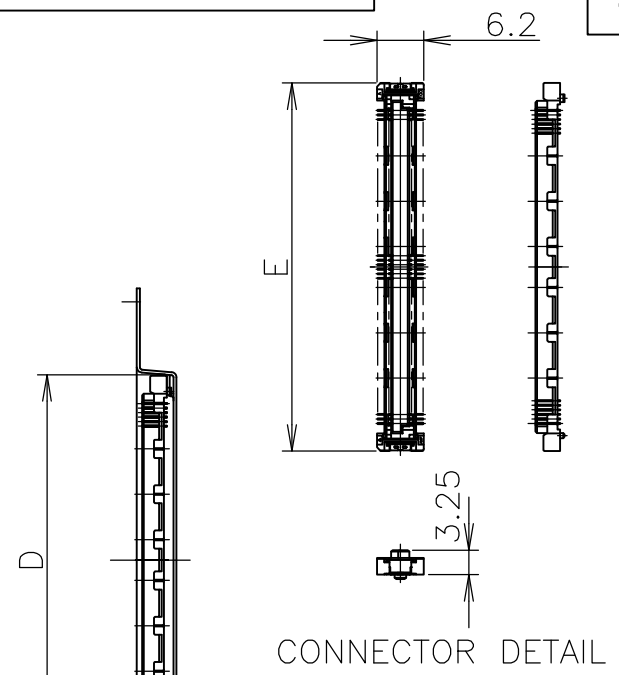
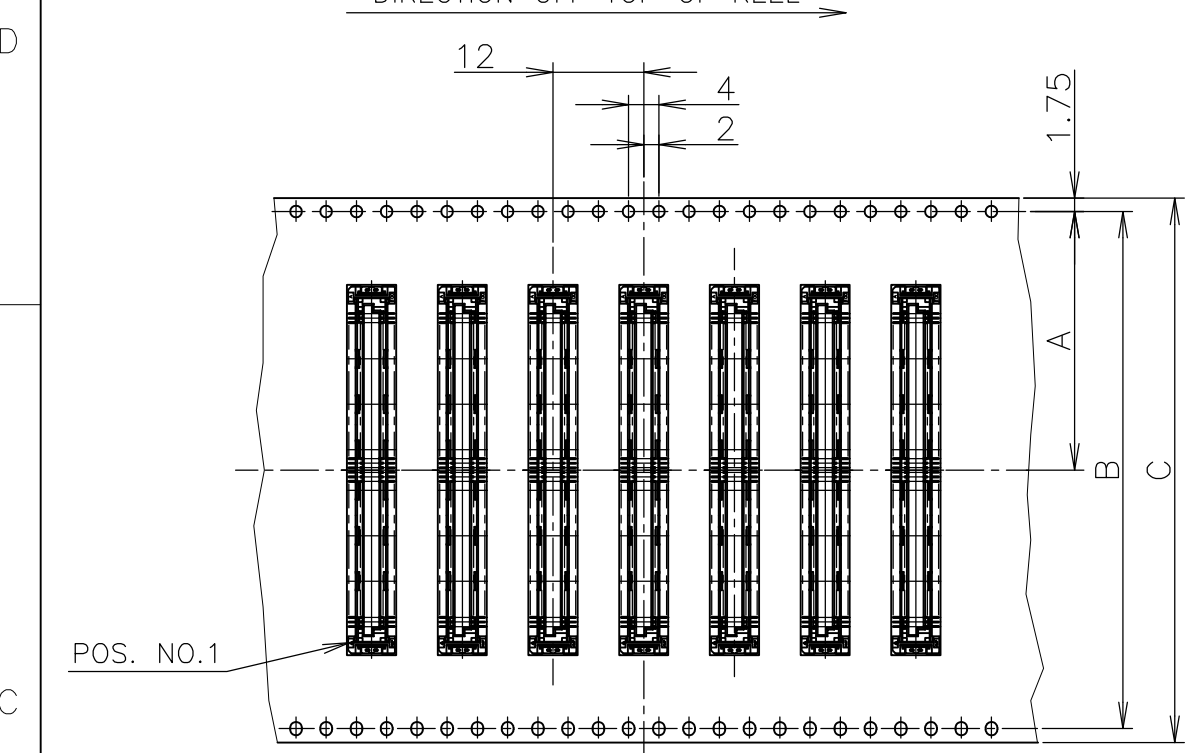
3

2

1

THIS DRAWING IS UNPUBLISHED. RELEASED FOR PUBLICATION DEC , 1996.
 © COPYRIGHT 1996 BY TYCO ELECTRONICS CORPORATION. ALL RIGHTS RESERVED.

LOC	DIST	REVISIONS				
P	LTR	DESCRIPTION	DATE	DWN	APVD	
	D	REVISED ECR-08-000340	01FEB08	T.T	T.F	
	E	REVISED PER ECO-17-005300	27MAY17	B.J	S.Y	



WEEDING THE COVER TAPE AROUND THE OUTER PERIPHERY IN A TURN.

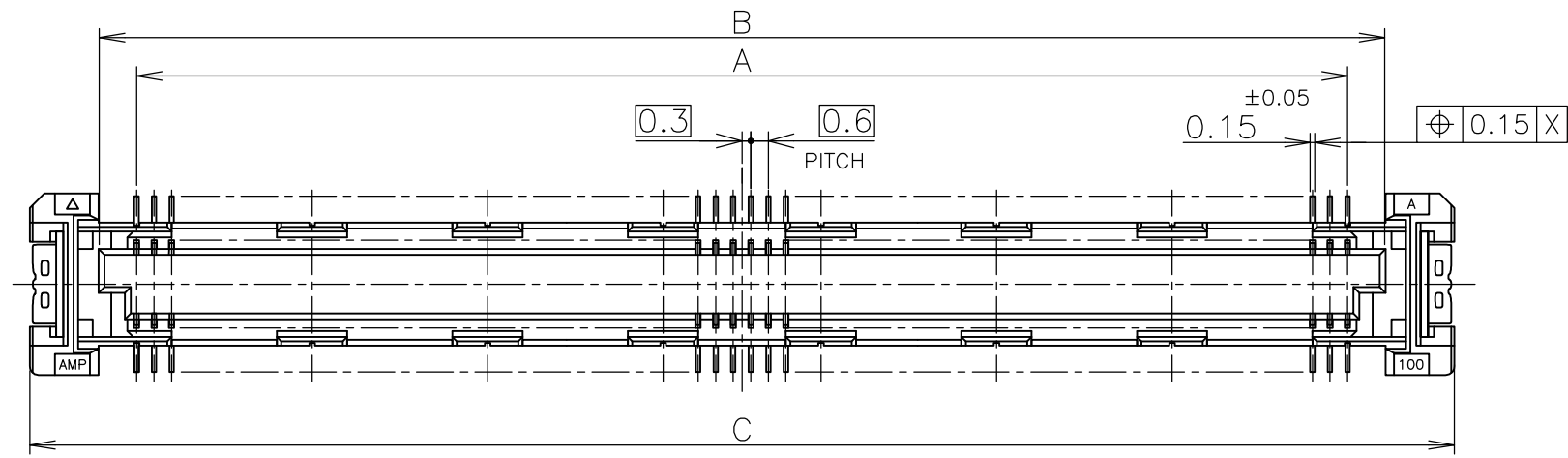
HOUSING COLOR	SEALANT	TOOLING STATUS	QTY.	W	E	D	C	B	A	POS.	PART NO.
BLACK	AVAILABLE		1000	77.5	48.7	49	72	68.4	34.2	140	8-5353189-0
	NOT AVAILABLE			77.5	54.7	55	72	68.4	34.2	160	6-5353189-1
				77.5	48.7	49	72	68.4	34.2	140	6-
				61.5	42.7	43	56	52.4	26.2	120	5-
				61.5	36.7	37	56	52.4	26.2	100	5-
	NOT AVAILABLE			61.5	33.7	34	56	52.4	26.2	90	5-
	AVAILABLE			49.5	30.7	31	44	40.4	20.2	80	5-
	NOT AVAILABLE			49.5	27.7	28	44	40.4	20.2	70	5-
	NOT AVAILABLE			49.5	24.7	25	44	40.4	20.2	60	5-
	AVAILABLE			37.5	21.7	22	32	28.4	14.2	50	5-
	NOT AVAILABLE			37.5	18.7	19	32	28.4	14.2	40	5-
	AVAILABLE			1000	29.5	15.7	16	24	11.5	30	5-5353189-1
NATURAL	NOT AVAILABLE		1000	77.5	54.7	55	72	68.4	34.2	160	1-5353189-1
				77.5	48.7	49	72	68.4	34.2	140	1-
				61.5	42.7	43	56	52.4	26.2	120	
	NOT AVAILABLE			61.5	36.7	37	56	52.4	26.2	100	
	AVAILABLE			61.5	33.7	34	56	52.4	26.2	90	
	NOT AVAILABLE			49.5	30.7	31	44	40.4	20.2	80	
				49.5	27.7	28	44	40.4	20.2	70	
				49.5	24.7	25	44	40.4	20.2	60	
				37.5	21.7	22	32	28.4	14.2	50	
				37.5	18.7	19	32	28.4	14.2	40	
	NOT AVAILABLE			1000	29.5	15.7	16	24	11.5	30	5353189-1

THIS PRODUCT WAS COATED BY FLUX-PENETRATION -INHIBITING AGENT.

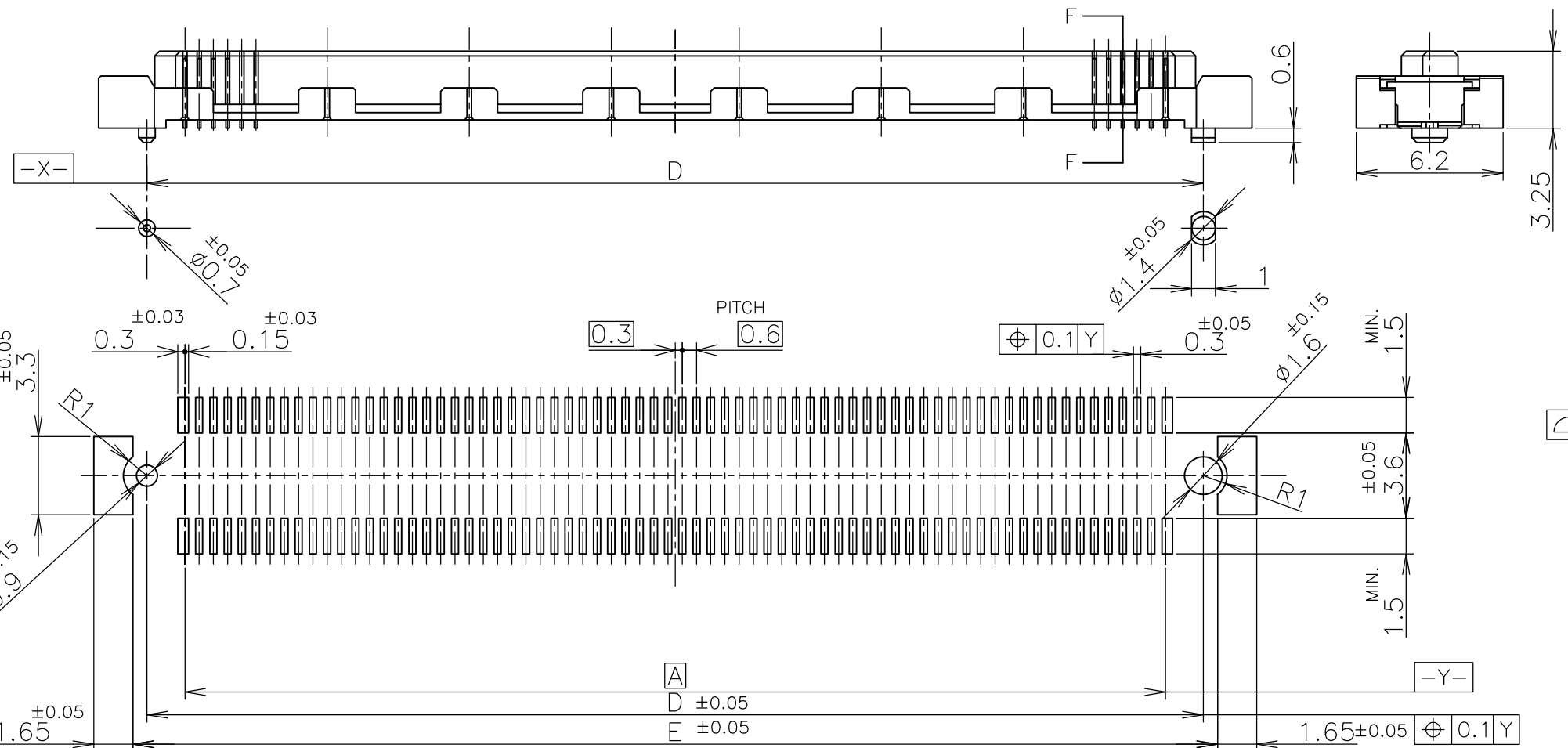
THIS DRAWING IS A CONTROLLED DOCUMENT.

DIMENSIONS: MM	TOLERANCES UNLESS OTHERWISE SPECIFIED:	DWN HAWKING HE 20DEC04	Tyco Electronics Corporation Kawasaki, Japan	
	0 PLC ± 0.2	CHK STEVEN YAO 20DEC04	EMBOSS ASSY	
	1 PLC ± 0.2	APVD I.ENOMOTO 20DEC04	FH 0.6BTB CONNECTOR	
	2 PLC ± 0.2	PRODUCT SPEC	REC 4H STD TYPE	
	3 PLC ± 0.2	108-60047	SIZE	CAGE CODE
	4 PLC ± 0.2	APPLICATION SPEC	DRAWING NO	
	ANGLES ± 5°	114-5255	RESTRICTED TO	
MATERIAL	FINISH	WEIGHT	A3 00779 C-5353189	
CUSTOMER DRAWING			SCALE 1:1	SHEET 1 OF 2

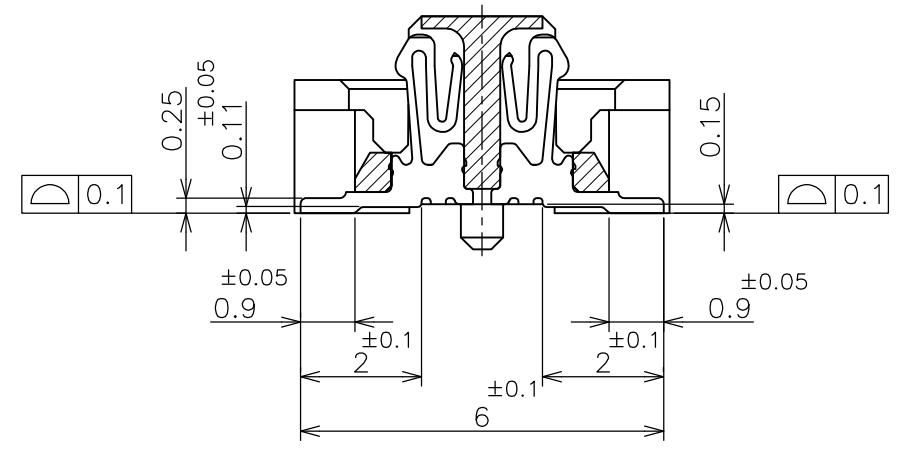
LOC	DIST	REVISIONS					
J		P	LTR	DESCRIPTION	DATE	DWN	APVD
		-		SEE SHEET 1	-	-	-



△ MATERIAL : HOUSING : HIGH TEMP THERMO PLASTIC
 UL94V-0
 CONTACT : COPPER ALLOY
 △ FINISH : UNDER PL Ni 0.0013mm MIN ALL OVER.
 CONTACT AREA 0.0002 MIN Au PL.
 SOLDERING AREA 0.00005 MIN Au PL.



3.25



F-F (SCALE 8:1)

REFERENCE P.C. BOARD LAYOUT

AVAILABLE	51.8	50.6	54.7	50	47.4	160
AVAILABLE	45.8	44.6	48.7	44	41.4	140
NOT AVAILABLE	39.8	38.6	42.7	38	35.4	120
NOT AVAILABLE	33.8	32.6	36.7	32	29.4	100
AVAILABLE	30.8	29.6	33.7	29	26.4	90
AVAILABLE	27.8	26.6	30.7	26	23.4	80
AVAILABLE	24.8	23.6	27.7	23	20.4	70
NOT AVAILABLE	21.8	20.6	24.7	20	17.4	60
AVAILABLE	18.8	17.6	21.7	17	14.4	50
NOT AVAILABLE	15.8	14.6	18.7	14	11.4	40
NOT AVAILABLE	12.8	11.6	15.7	11	8.4	30
TOOLING STATUS	E	D	C	B	A	POS

THIS DRAWING IS A CONTROLLED DOCUMENT.		DWN	Tyco Electronics Corporation Kawasaki, Japan			
DIMENSIONS: MM		CHK	NAME			
TOLERANCES UNLESS OTHERWISE SPECIFIED:		APVD	EMBOSS ASSY FH 0.6BTB CONNECTOR REC 4H STD TYPE			
0 PLC ± 0.3 1 PLC ± 0.3 2 PLC ± 0.3 3 PLC ± 0.3 4 PLC ± 0.3 ANGLES ± 3°		PRODUCT SPEC	SIZE	CAGE CODE	DRAWING NO	RESTRICTED TO
MATERIAL		APPLICATION SPEC	A3	00779	C-5353189	
FINISH		WEIGHT	CUSTOMER DRAWING			
		SCALE	4:1	SHEET	2 OF 2	REV E

Mouser Electronics

Authorized Distributor

Click to View Pricing, Inventory, Delivery & Lifecycle Information:

[TE Connectivity:](#)

[8-5353189-0](#)