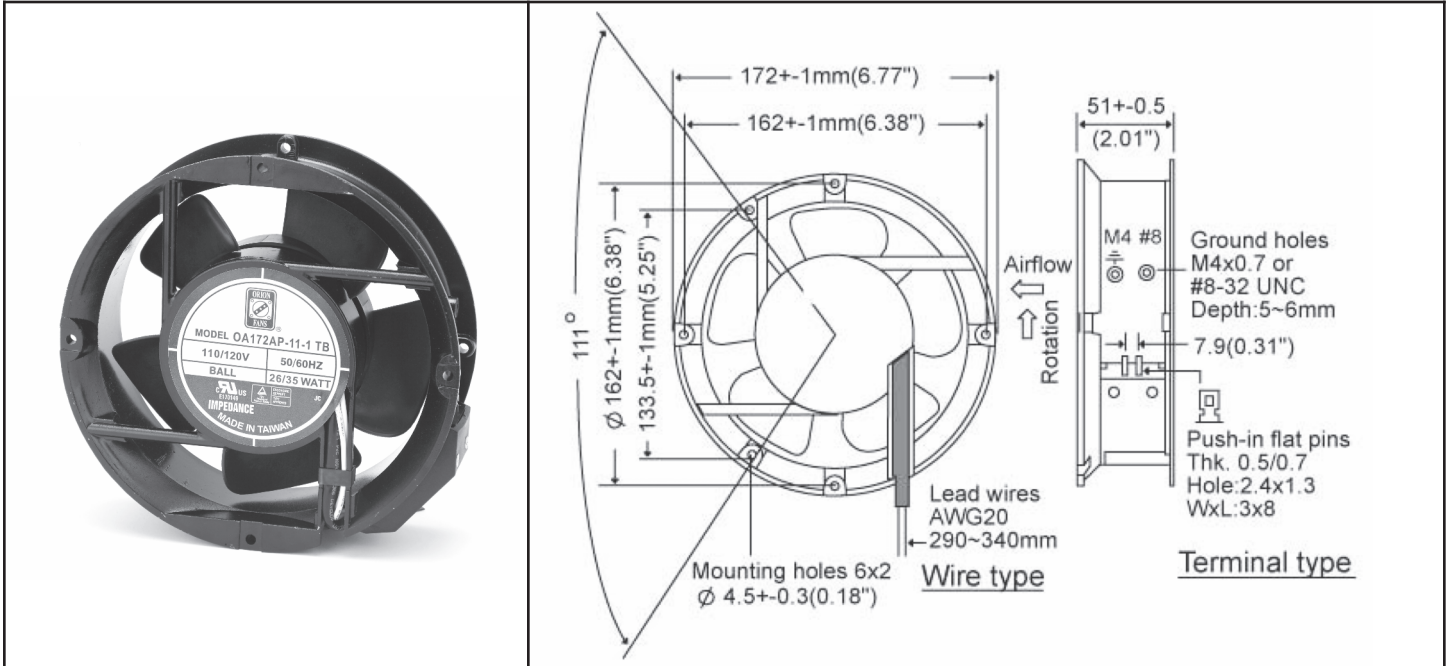


OA172 Series



AC Fan - 115V, 230V
172 x 51mm (6.7"x 2.0")



Frame	Diecast Aluminum	<p>Operating Temperature Ball Bearing -40C ~ +70C Storage Temp -40C ~ +80C</p> <p>Life Expectancy Ball Bearing 60,000 hours (L10 at 40C)</p> <p>Weight: ~ 2.7 lbs.</p>	
Impeller	PBT, UL94V-0 plastic		
Connection	2x Lead Wires or Terminals		
Motor	Capacitor drive, impedance protected		
Bearing System	Dual ball		
Insulation Resistance	>100M ohm between lead-wire and frame (500VDC)		
Dielectric Strength	1 min at 1500 VAC, 50/60Hz		

Model Number	Speed (RPM)	Airflow (CFM)	Noise (dB)	Volts AC	Voltage Range	Watts	Max. Static Pressure (H ₂ O)
OA172AP-11-1 *	3200	235	52	115	80~130	35	0.70
OA172AP-11-2 *	2400	170	42	115	80~130	20	0.49
OA172AP-11-3 *	1800	135	33	115	80~130	16	0.43
OA172AP-22-1 *	3200	235	52	230	160~260	35	0.70
OA172AP-22-2 *	2400	170	42	230	160~260	20	0.49
OA172AP-22-3 *	1800	135	33	230	160~260	16	0.43

* Indicate "TB" for Terminal type or "WB" for Wire Leads

Mouser Electronics

Authorized Distributor

Click to View Pricing, Inventory, Delivery & Lifecycle Information:

Orion Fans:

[OA172AP-11-3TB](#) [OA172AP-22-3TB](#) [OA172AP-11-2TB](#) [OA172AP-11-3WB](#) [OA172AP-22-2TB](#) [OA172AP-22-2WB](#)
[OA172AP-22-3WB](#) [OA172AN-11-3TB](#) [OA172AP-22-1WB](#) [OA172AN-22-1WB](#) [OA172AP-11-1WB](#) [OA172AN-11-1WB](#)
[OA172AN-11-1TB](#) [OA172AN-22-1TB](#) [OA172AP-11-1TB](#) [OA172AP-22-1TB](#) [OA172AP-11-2WB](#) [OA172AN-11-2TB](#)