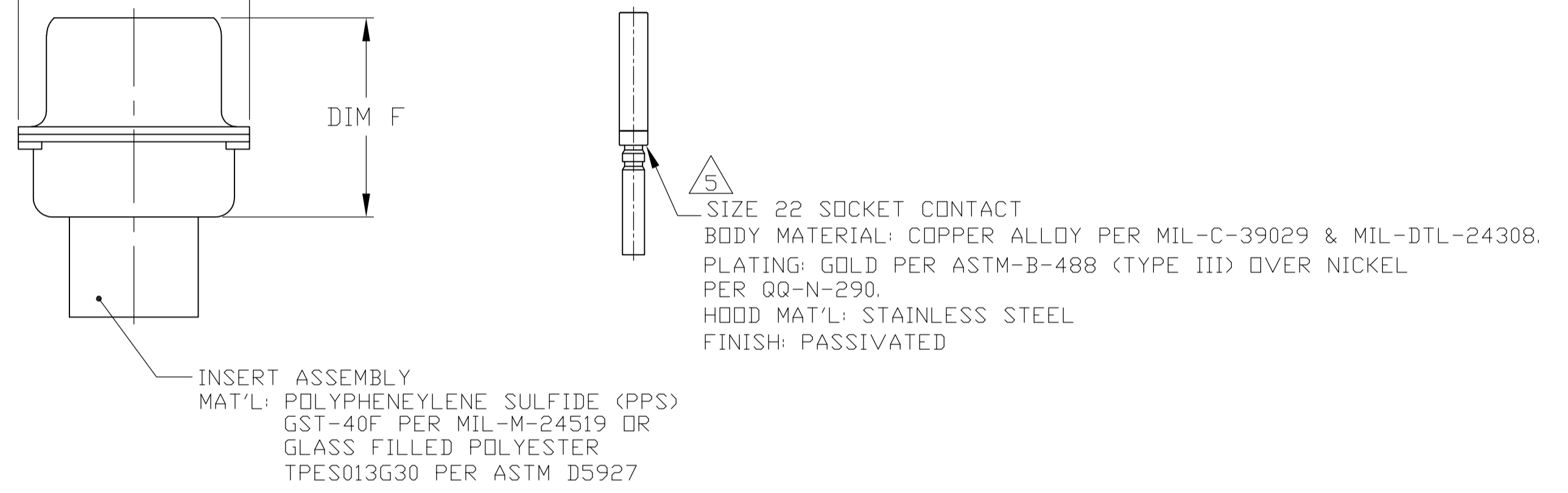
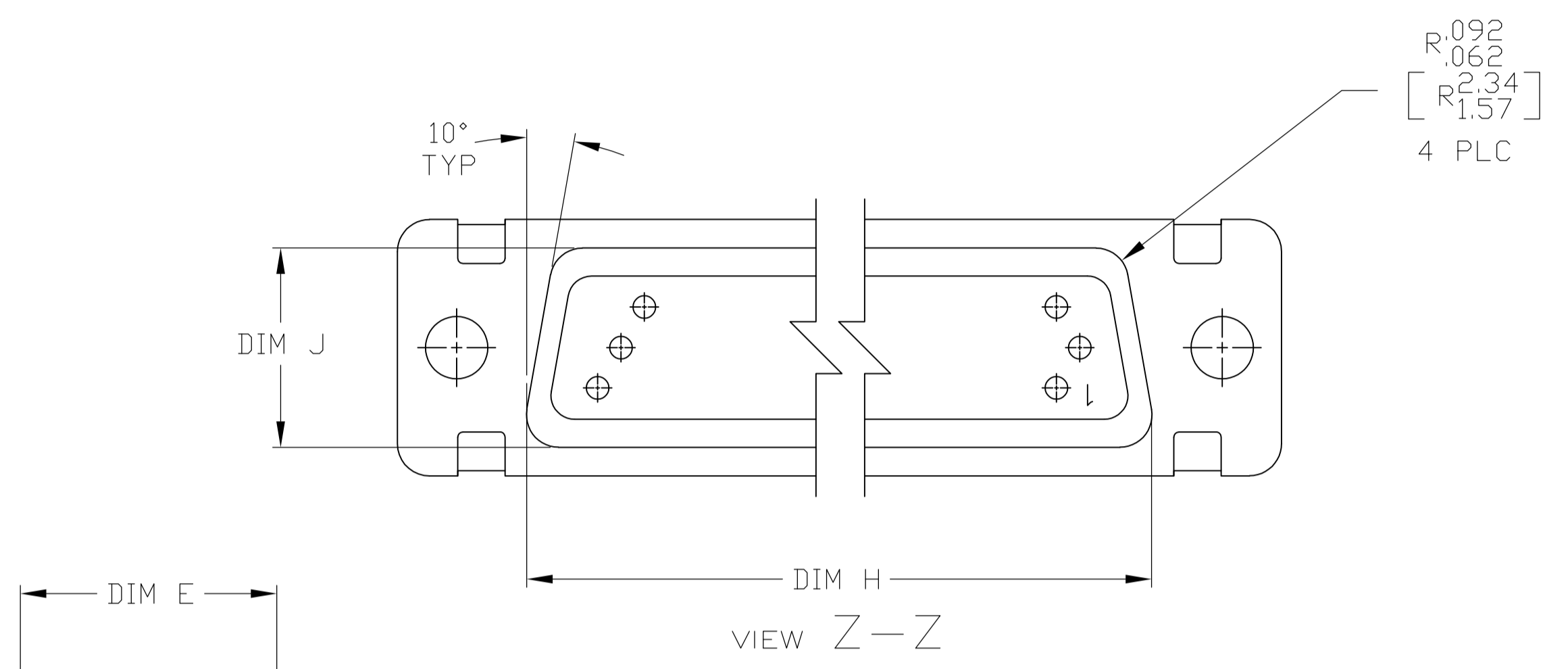


1. THE CONNECTOR DESCRIBED IN THIS DOCUMENT WILL MATE WITH ANY PLUG CONNECTOR WITH THE SAME INSERT ARRANGEMENT.
2. MARKED WITH .047-.062 [1.19-1.57] HIGH CHARACTERS. FAR SIDE REFERS TO THE WIDE SIDE OF THE KEYSTONE. NEAR SIDE REFERS TO THE NARROW SIDE OF THE KEYSTONE. WHEN SPACE IS LIMITED MARKING CAN BE SPLIT BETWEEN FRONT AND REAR SHELL.
3. UL/CSA DESIGNATION STAMPED IN THIS AREA. (SIZE 1 THRU SIZE 5 ONLY).
4. CONNECTOR ASSEMBLY WITHOUT CONTACTS, TE CONNECTIVITY P/N 204351-1. MUST BE ORDERED SEPARATELY.
5. CONNECTOR ASSEMBLY SUPPLIED WITH CONTACTS, TE CONNECTIVITY P/N 204351-1. PACKAGED IN A SEPARATE CONTAINER. QTY = NO. OF POSN. (SEE TABLE).



SIZE	TE CONNECTIVITY P/N	MILITARY P/N ON CONNECTOR	MARKED ON NEAR SIDE MILITARY PART NO. (SEE TABLE)	MARKED ON FAR SIDE AMP, TE CONNECTIVITY NO. AND DATE CODE	L	J	H	G	F	E	D	C	B	A	INSERT ARRANGEMENT	NO OF POS	SHELL SIZE	PART NUMBER
5	M24308/2-16Z	M24308/2-16Z	1-1757824-2	FOR SHELL SIZE 1 & 2 AMP & DATE CODE MARKED ON NEAR SIDE MARKED ON FAR SIDE	.049 [1.24] .029 [0.74]	.606 [15.39] .586 [14.88]	2.312 [58.72] 2.292 [58.22]	.248 [6.30] .238 [5.82]	.439 [11.15] .419 [10.64]	.683 [17.35] .653 [16.59]	.490 [12.45] .480 [12.19]	2.505 [63.63] 2.495 [63.37]	2.194 [55.73] 2.184 [55.47]	2.744 [69.70] 2.714 [68.94]	MS14004-1	104	6	1-1757824-2
5	M24308/2-15Z	M24308/2-15Z	1-1757824-1	FOR SHELL SIZE 1 & 2 AMP & DATE CODE MARKED ON NEAR SIDE MARKED ON FAR SIDE	.049 [1.24] .029 [0.74]	.544 [13.82] .524 [13.31]	2.188 [55.58] 2.168 [55.07]	.248 [6.30] .238 [5.82]	.439 [11.15] .419 [10.64]	.620 [15.75] .590 [14.99]	.428 [10.87] .418 [10.62]	2.411 [61.24] 2.401 [60.99]	2.069 [52.55] 2.059 [52.30]	2.650 [67.31] 2.620 [66.55]	MS18277-2	78	5	1-1757824-1
5	M24308/2-14Z	M24308/2-14Z	1-1757824-0	FOR SHELL SIZE 1 & 2 AMP & DATE CODE MARKED ON NEAR SIDE MARKED ON FAR SIDE	.049 [1.24] .029 [0.74]	.432 [10.97] .412 [10.46]	2.282 [57.96] 2.262 [57.45]	.248 [6.30] .238 [5.82]	.439 [11.15] .419 [10.64]	.509 [12.93] .479 [12.17]	.316 [8.03] .306 [7.77]	2.505 [63.63] 2.495 [63.37]	2.164 [54.97] 2.154 [54.71]	2.744 [69.70] 2.714 [68.94]	MS18276-2	62	4	1-1757824-0
5	M24308/2-13Z	M24308/2-13Z	1757824-9	FOR SHELL SIZE 3,4 & 5 MILITARY PART NO. MARKED ON FAR SIDE	.049 [1.24] .029 [0.74]	.432 [10.97] .412 [10.46]	1.635 [41.53] 1.615 [41.02]	.248 [6.30] .238 [5.82]	.439 [11.15] .419 [10.64]	.509 [12.93] .479 [12.17]	.316 [8.03] .306 [7.77]	1.857 [47.17] 1.847 [46.91]	1.516 [38.51] 1.506 [38.25]	2.103 [53.42] 2.073 [52.65]	MS18275-2	44	3	1757824-9
5	M24308/2-12Z	M24308/2-12Z	1757824-8	FOR SHELL SIZE 3,4 & 5 MILITARY PART NO. MARKED ON FAR SIDE	.040 [1.02] .020 [0.51]	.432 [10.97] .412 [10.46]	1.093 [27.76] 1.073 [27.25]	.248 [6.30] .238 [5.82]	.439 [11.15] .419 [10.64]	.509 [12.93] .479 [12.17]	.316 [8.03] .306 [7.77]	1.317 [33.45] 1.307 [33.20]	.976 [24.79] .966 [24.54]	1.556 [39.52] 1.526 [38.76]	MS18274-2	26	2	1757824-8
5	M24308/2-11Z	M24308/2-11Z	1757824-7	FOR SHELL SIZE 3,4 & 5 MILITARY PART NO. MARKED ON FAR SIDE	.040 [1.02] .020 [0.51]	.432 [10.97] .412 [10.46]	.769 [19.53] .749 [19.02]	.248 [6.30] .238 [5.82]	.439 [11.15] .419 [10.64]	.509 [12.93] .479 [12.17]	.316 [8.03] .306 [7.77]	.989 [25.12] .979 [24.87]	.648 [16.46] .638 [16.21]	1.228 [31.19] 1.198 [30.43]	MS18273-2	15	1	1757824-7
4	M24308/2-291Z	M24308/2-16Z	1-1757824-2	FOR SHELL SIZE 1 & 2 AMP, TE CONNECTIVITY NO. AND DATE CODE MARKED ON FAR SIDE	.049 [1.24] .029 [0.74]	.606 [15.39] .586 [14.88]	2.312 [58.72] 2.292 [58.22]	.248 [6.30] .238 [5.82]	.439 [11.15] .419 [10.64]	.683 [17.35] .653 [16.59]	.490 [12.45] .480 [12.19]	2.505 [63.63] 2.495 [63.37]	2.194 [55.73] 2.184 [55.47]	2.744 [69.70] 2.714 [68.94]	MS14004-1	104	6	1757824-6
4	M24308/2-290Z	M24308/2-15Z	1-1757824-1	FOR SHELL SIZE 1 & 2 AMP, TE CONNECTIVITY NO. AND DATE CODE MARKED ON FAR SIDE	.049 [1.24] .029 [0.74]	.544 [13.82] .524 [13.31]	2.188 [55.58] 2.168 [55.07]	.248 [6.30] .238 [5.82]	.439 [11.15] .419 [10.64]	.620 [15.75] .590 [14.99]	.428 [10.87] .418 [10.62]	2.411 [61.24] 2.401 [60.99]	2.069 [52.55] 2.059 [52.30]	2.650 [67.31] 2.620 [66.55]	MS18277-2	78	5	1757824-5
4	M24308/2-289Z	M24308/2-14Z	1-1757824-0	FOR SHELL SIZE 1 & 2 AMP, TE CONNECTIVITY NO. AND DATE CODE MARKED ON FAR SIDE	.049 [1.24] .029 [0.74]	.432 [10.97] .412 [10.46]	2.282 [57.96] 2.262 [57.45]	.248 [6.30] .238 [5.82]	.439 [11.15] .419 [10.64]	.509 [12.93] .479 [12.17]	.316 [8.03] .306 [7.77]	2.505 [63.63] 2.495 [63.37]	2.164 [54.97] 2.154 [54.71]	2.744 [69.70] 2.714 [68.94]	MS18276-2	62	4	1757824-4
4	M24308/2-288Z	M24308/2-13Z	1757824-9	FOR SHELL SIZE 1 & 2 AMP, TE CONNECTIVITY NO. AND DATE CODE MARKED ON FAR SIDE	.049 [1.24] .029 [0.74]	.432 [10.97] .412 [10.46]	1.635 [41.53] 1.615 [41.02]	.248 [6.30] .238 [5.82]	.439 [11.15] .419 [10.64]	.509 [12.93] .479 [12.17]	.316 [8.03] .306 [7.77]	1.857 [47.17] 1.847 [46.91]	1.516 [38.51] 1.506 [38.25]	2.103 [53.42] 2.073 [52.65]	MS18275-2	44	3	1757824-3
4	M24308/2-287Z	M24308/2-12Z	1757824-8	FOR SHELL SIZE 1 & 2 AMP, TE CONNECTIVITY NO. AND DATE CODE MARKED ON FAR SIDE	.040 [1.02] .020 [0.51]	.432 [10.97] .412 [10.46]	1.093 [27.76] 1.073 [27.25]	.248 [6.30] .238 [5.82]	.439 [11.15] .419 [10.64]	.509 [12.93] .479 [12.17]	.316 [8.03] .306 [7.77]	1.317 [33.45] 1.307 [33.20]	.976 [24.79] .966 [24.54]	1.556 [39.52] 1.526 [38.76]	MS18274-2	26	2	1757824-2
4	M24308/2-286Z	M24308/2-11Z	1757824-7	FOR SHELL SIZE 1 & 2 AMP, TE CONNECTIVITY NO. AND DATE CODE MARKED ON FAR SIDE	.040 [1.02] .020 [0.51]	.432 [10.97] .412 [10.46]	.769 [19.53] .749 [19.02]	.248 [6.30] .238 [5.82]	.439 [11.15] .419 [10.64]	.509 [12.93] .479 [12.17]	.316 [8.03] .306 [7.77]	.989 [25.12] .979 [24.87]	.648 [16.46] .638 [16.21]	1.228 [31.19] 1.198 [30.43]	MS18273-2	15	1	1757824-1

THIS DRAWING IS A CONTROLLED DOCUMENT.

DIMENSIONS: INCHES	TOLERANCES UNLESS OTHERWISE SPECIFIED:	DIN C.C.THOMAS 6-3-05	APPROVED: D.MILLER 6-8-05
0 PLC ± .005	1 PLC ± .005	2 PLC ± .005	3 PLC ± .005
4 PLC ± .005	5 PLC ± .005	ANGLES ± .1°	

MATERIAL: SEE CALLOUTS FINISH: SEE CALLOUTS

WEIGHT: —

CUSTOMER DRAWING

SCALE: 4:1 SHEET 1 OF 1 REV E

AMPLIMITE RECEPTACLE ASSY, SIZE 1 THRU 6 SERIES 90 WITH ZINC PLATED SHELLS

SIZE: A1 CAGE CODE: 00779 DRAWING NO: 1757824

Mouser Electronics

Authorized Distributor

Click to View Pricing, Inventory, Delivery & Lifecycle Information:

[TE Connectivity:](#)

[1757824-7](#)