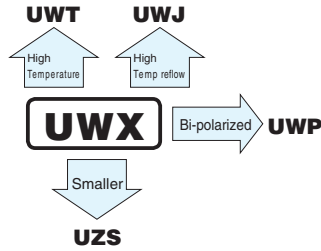


UWX 5.5mmL Chip Type



- Chip type with 5.5mm height.
- Designed for surface mounting on high density PC board.
- Applicable to automatic mounting machine fed with carrier tape.
- Load life of 2000 hours at 85°C.
- Compliant to the RoHS directive (2011/65/EU).
- AEC-Q200 compliant. Please contact us for details.

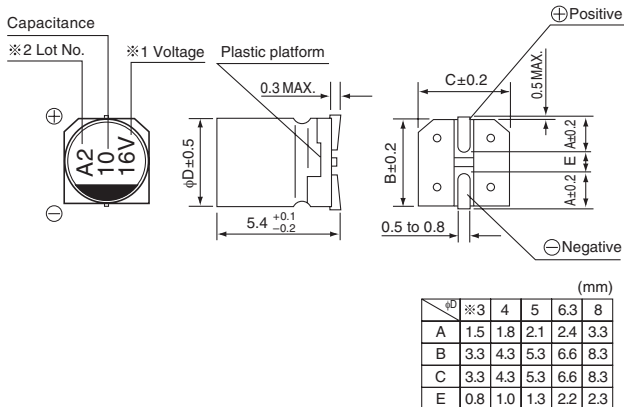
Values marked with an ※ in the dimension table are scheduled to be discontinued and are not recommended for new designs.



Specifications

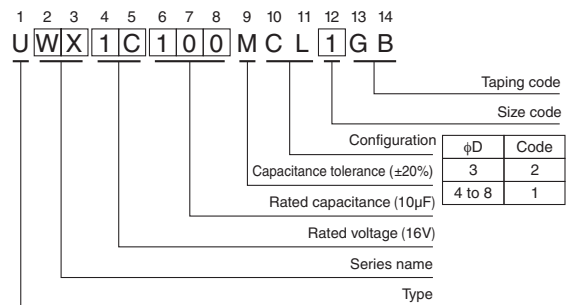
Item	Performance Characteristics																								
Category Temperature Range	-40 to +85°C																								
Rated Voltage Range	4 to 50V																								
Rated Capacitance Range	1 to 330μF																								
Capacitance Tolerance	±20% at 120Hz, 20°C																								
Leakage Current	After 2 minutes' application of rated voltage at 20°C, leakage current is not more than 0.01CV or 3 (μA), whichever is greater.																								
Tangent of loss angle (tan δ)	<p>Measurement frequency : 120Hz at 20°C</p> <table border="1"> <tr> <td>Rated voltage (V)</td> <td>4</td> <td>6.3</td> <td>10</td> <td>16</td> <td>25</td> <td>35</td> <td>50</td> </tr> <tr> <td>tan δ (MAX.)</td> <td>0.35 (0.40)</td> <td>0.26 (0.30)</td> <td>0.20 (0.24)</td> <td>0.16 (0.19)</td> <td>0.14 (0.16)</td> <td>0.12 (0.14)</td> <td>0.12 (0.14)</td> </tr> </table> <p>Values in () applicable to WR, φ3 case size.</p>	Rated voltage (V)	4	6.3	10	16	25	35	50	tan δ (MAX.)	0.35 (0.40)	0.26 (0.30)	0.20 (0.24)	0.16 (0.19)	0.14 (0.16)	0.12 (0.14)	0.12 (0.14)								
Rated voltage (V)	4	6.3	10	16	25	35	50																		
tan δ (MAX.)	0.35 (0.40)	0.26 (0.30)	0.20 (0.24)	0.16 (0.19)	0.14 (0.16)	0.12 (0.14)	0.12 (0.14)																		
Stability at Low Temperature	<p>Measurement frequency : 120Hz</p> <table border="1"> <tr> <td>Rated voltage (V)</td> <td>4</td> <td>6.3</td> <td>10</td> <td>16</td> <td>25</td> <td>35</td> <td>50</td> </tr> <tr> <td>Impedance ratio</td> <td>Z-25°C / Z+20°C</td> <td>7</td> <td>4</td> <td>3</td> <td>2</td> <td>2</td> <td>2</td> </tr> <tr> <td>ZT / Z20 (MAX.)</td> <td>Z-40°C / Z+20°C</td> <td>15</td> <td>8</td> <td>8</td> <td>4</td> <td>4</td> <td>3</td> </tr> </table>	Rated voltage (V)	4	6.3	10	16	25	35	50	Impedance ratio	Z-25°C / Z+20°C	7	4	3	2	2	2	ZT / Z20 (MAX.)	Z-40°C / Z+20°C	15	8	8	4	4	3
Rated voltage (V)	4	6.3	10	16	25	35	50																		
Impedance ratio	Z-25°C / Z+20°C	7	4	3	2	2	2																		
ZT / Z20 (MAX.)	Z-40°C / Z+20°C	15	8	8	4	4	3																		
Endurance	<p>The specifications listed at right shall be met when the capacitors are restored to 20°C after the rated voltage is applied for 2000 hours at 85°C.</p> <table border="1"> <tr> <td>Capacitance change</td> <td>Within ±20% of the initial capacitance value (Within ±25% for 4V and φ3,WR series units)</td> </tr> <tr> <td>tan δ</td> <td>200% or less than the initial specified value</td> </tr> <tr> <td>Leakage Current</td> <td>Less than or equal to the initial specified value</td> </tr> </table>	Capacitance change	Within ±20% of the initial capacitance value (Within ±25% for 4V and φ3,WR series units)	tan δ	200% or less than the initial specified value	Leakage Current	Less than or equal to the initial specified value																		
Capacitance change	Within ±20% of the initial capacitance value (Within ±25% for 4V and φ3,WR series units)																								
tan δ	200% or less than the initial specified value																								
Leakage Current	Less than or equal to the initial specified value																								
Shelf Life	After storing the capacitors under no load at 85°C for 1000 hours and then performing voltage treatment based on JIS C 5101-4 clause 4.1 at 20°C, they shall meet the specified values for the endurance characteristics listed above.																								
Resistance to soldering heat	<p>The capacitors are kept on a hot plate for 30 seconds, which is maintained at 250°C. The capacitors shall meet the characteristic requirements listed at right when they are removed from the plate and restored to 20°C.</p> <table border="1"> <tr> <td>Capacitance change</td> <td>Within ±10% of the initial capacitance value</td> </tr> <tr> <td>tan δ</td> <td>Less than or equal to the initial specified value</td> </tr> <tr> <td>Leakage current</td> <td>Less than or equal to the initial specified value</td> </tr> </table>	Capacitance change	Within ±10% of the initial capacitance value	tan δ	Less than or equal to the initial specified value	Leakage current	Less than or equal to the initial specified value																		
Capacitance change	Within ±10% of the initial capacitance value																								
tan δ	Less than or equal to the initial specified value																								
Leakage current	Less than or equal to the initial specified value																								
Marking	Black print on the case top.																								

Chip Type



- ※ 1. Voltage mark for 6.3V is 「6V」.
- In case of marking for φ3 units, "V" for rated voltage is omitted.
- ※ 2. In case of marking for φ3 units, Lot No. is expressed by a digit (month code).

Type numbering system (Example : 16V 10μF)



- In the case of size φ3 in (), parentheses, use WX in the 2nd and 3rd digit and put a in the 12th digit of type numbering system.

● Dimension table in next page.

UWX

■ Dimensions

Cap. (μF)	Code	V		4		6.3		10		16		25		35		50		
		0G	0J	1A	1C	1E	1V	1H										
1	010																4 (※3)	8.4(8.0)
2.2	2R2													※3	8.4		4 (※3)	13 (10)
3.3	3R3													※3	10		4	17
4.7	4R7																	
10	100												4 (※3)	16 (12)	4	18	●5	20 (18)
22	220	※3	19	4 (※3)	28 (21)	●5	33 (30)	●5	37 (30)	○6.3	42 (38)	○6.3	46 (39)	□8	52 (43)			
33	330	4	28	●5	37 (34)	●5	41 (34)	○6.3	49 (44)	○6.3	52 (46)	□8	62 (53)	8	71			
47	470	4	33	●5	45 (40)	○6.3	52 (47)	○6.3	58 (52)	□8	70 (60)	8	80					
56	560	5	42	○6.3	52 (46)	○6.3	57 (50)	○6.3	63 (57)	□8	76 (65)							
100	101	5	56	○6.3	70 (47)	○6.3	76 (54)	6.3	86	8	110							
150	151	6.3	79	6.3	71	□8	111 (76)											
220	221	6.3	96	□8	110 (74)	8	135											
330	331	8	145	8	170													
																	Case size φ D (mm)	Rated ripple

() is also available with φ3mm upon request.

(※3) : φ3 In such a case, [2] will be put at 12th digit of type numbering system.

※ However, φ3 which are scheduled to be discontinued. Not recommended for new designs.

Size φ4 is available for capacitors marked. " ● " }
 Size φ5 is available for capacitors marked. " ○ " }
 Size φ6.3 is available for capacitors marked. " □ " }

In such a case, [WR] will be put at 2nd and 3rd digit of type numbering system.

Rated ripple current (mArms) at 85°C 120Hz

() = φ3 units and UWR

● Frequency coefficient of rated ripple current

Frequency	50 Hz	120 Hz	300 Hz	1 kHz	10 kHz or more
Coefficient	0.70	1.00	1.17	1.36	1.50

- Taping specifications are given in page 23.
- Recommended land size, soldering by reflow are given in page 18, 19.
- Please select UUR(p.156), UUG(p.162) if high C/V products are required.
- Please refer to page 3 for the minimum order quantity.

Mouser Electronics

Authorized Distributor

Click to View Pricing, Inventory, Delivery & Lifecycle Information:

Nichicon:

[UWT1V4R7MCL1GB](#) [UWX0G101MCL1GB](#) [UWX0G101MCR1GB](#) [UWX0G220MCL2GB](#) [UWX0G220MCR2GB](#)
[UWX0G221MCL1GB](#) [UWX0G221MCR1GB](#) [UWX0G330MCL1GB](#) [UWX0G330MCR1GB](#) [UWX0G331MCR1GB](#)
[UWX0G470MCL1GB](#) [UWX0G470MCR1GB](#) [UWX0J101MCL1GB](#) [UWX0J101MCR1GB](#) [UWX0J220MCL1GB](#)
[UWX0J220MCL2GB](#) [UWX0J220MCR1GB](#) [UWX0J221MCL1GB](#) [UWX0J221MCR1GB](#) [UWX0J330MCL1GB](#)
[UWX0J330MCR1GB](#) [UWX0J331MCL1GB](#) [UWX0J331MCR1GB](#) [UWX0J470MCL1GB](#) [UWX0J470MCR1GB](#)
[UWX1A101MCL1GB](#) [UWX1A101MCR1GB](#) [UWX1A220MCL1GB](#) [UWX1A220MCR1GB](#) [UWX1A221MCL1GB](#)
[UWX1A221MCR1GB](#) [UWX1A330MCL1GB](#) [UWX1A330MCR1GB](#) [UWX1A470MCL1GB](#) [UWX1A470MCR1GB](#)
[UWX1C100MCL1GB](#) [UWX1C100MCL2GB](#) [UWX1C100MCR1GB](#) [UWX1C100MCR2GB](#) [UWX1C101MCL1GB](#)
[UWX1C101MCR1GB](#) [UWX1C220MCL1GB](#) [UWX1C220MCR1GB](#) [UWX1C330MCL1GB](#) [UWX1C330MCR1GB](#)
[UWX1C470MCL1GB](#) [UWX1C470MCR1GB](#) [UWX1E100MCL1GB](#) [UWX1E100MCR1GB](#) [UWX1E101MCL1GB](#)
[UWX1E101MCR1GB](#) [UWX1E220MCL1GB](#) [UWX1E220MCR1GB](#) [UWX1E330MCL1GB](#) [UWX1E330MCR1GB](#)
[UWX1E470MCL1GB](#) [UWX1E470MCR1GB](#) [UWX1E4R7MCL1GB](#) [UWX1E4R7MCL2GB](#) [UWX1E4R7MCR1GB](#)
[UWX1E4R7MCR2GB](#) [UWX1H010MCL1GB](#) [UWX1H010MCL2GB](#) [UWX1H010MCR1GB](#) [UWX1H010MCR2GB](#)
[UWX1H0R1MCL1GB](#) [UWX1H0R1MCL2GB](#) [UWX1H0R1MCR1GB](#) [UWX1H0R1MCR2GB](#) [UWX1H100MCL1GB](#)
[UWX1H100MCR1GB](#) [UWX1H220MCL1GB](#) [UWX1H220MCR1GB](#) [UWX1H2R2MCL1GB](#) [UWX1H2R2MCL2GB](#)
[UWX1H2R2MCR1GB](#) [UWX1H2R2MCR2GB](#) [UWX1H330MCL1GB](#) [UWX1H330MCR1GB](#) [UWX1H3R3MCL1GB](#)
[UWX1H3R3MCR1GB](#) [UWX1H4R7MCL1GB](#) [UWX1H4R7MCR1GB](#) [UWX1HR22MCL1GB](#) [UWX1HR22MCL2GB](#)
[UWX1HR22MCR1GB](#) [UWX1HR22MCR2GB](#) [UWX1HR33MCL1GB](#) [UWX1HR33MCL2GB](#) [UWX1HR33MCR1GB](#)
[UWX1HR33MCR2GB](#) [UWX1HR47MCL1GB](#) [UWX1HR47MCL2GB](#) [UWX1HR47MCR1GB](#) [UWX1HR47MCR2GB](#)
[UWX1V100MCL1GB](#) [UWX1V100MCR1GB](#) [UWX1V220MCL1GB](#) [UWX1V220MCR1GB](#) [UWX1V2R2MCL2GB](#)