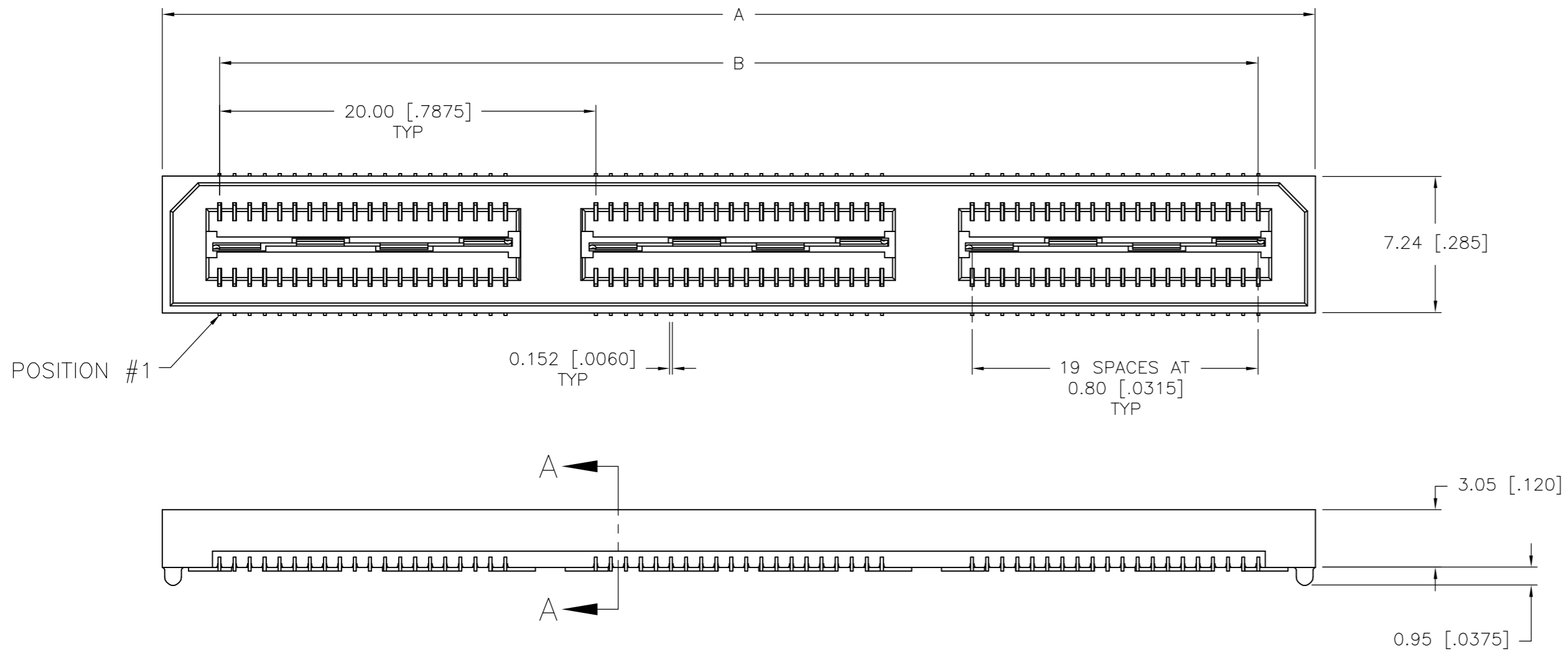
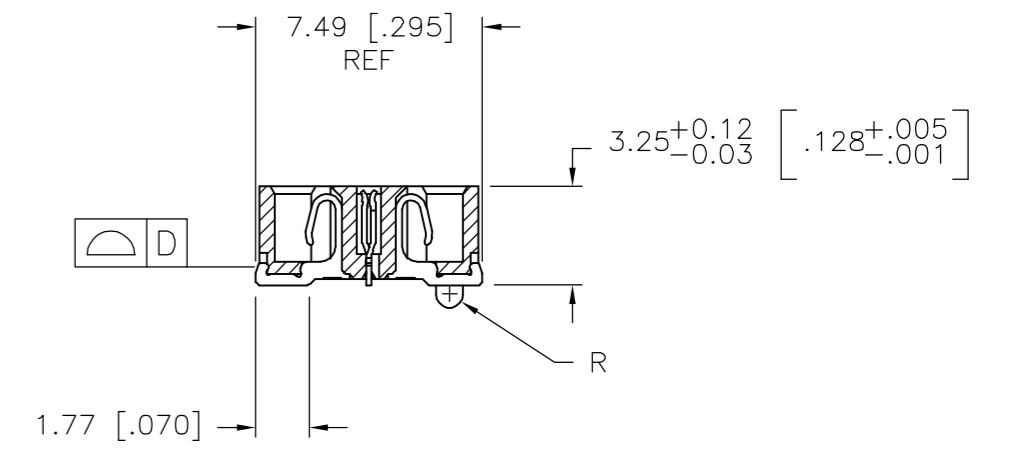


THIS DRAWING IS UNPUBLISHED. RELEASED FOR PUBLICATION
 © COPYRIGHT BY TYCO ELECTRONICS CORPORATION. ALL RIGHTS RESERVED.

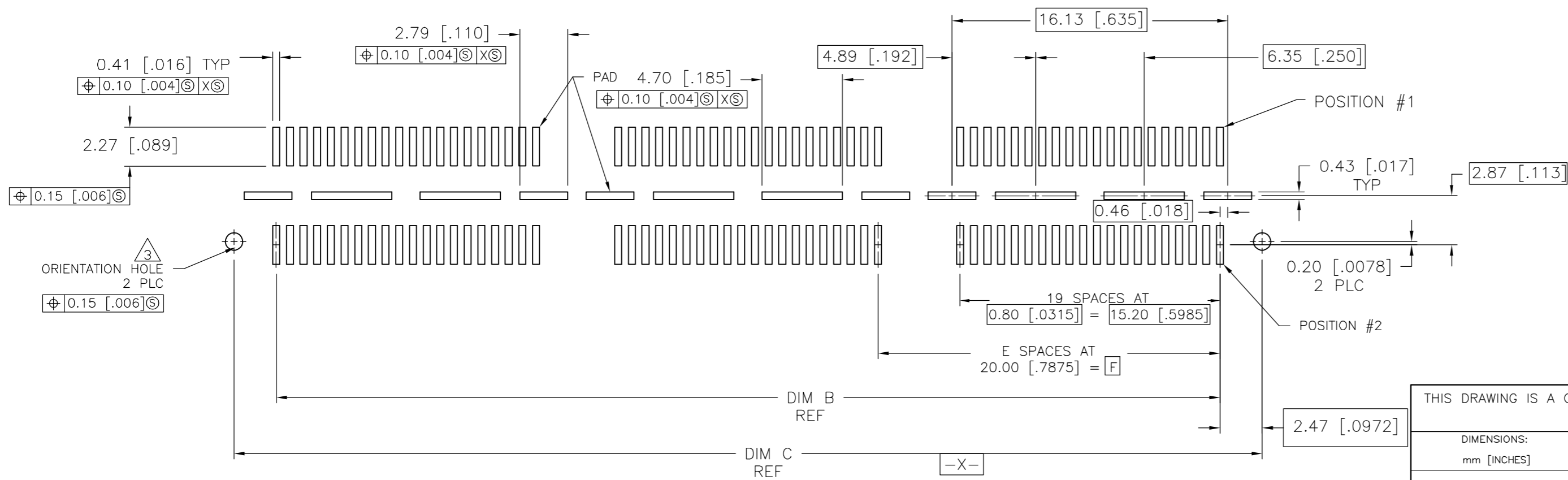
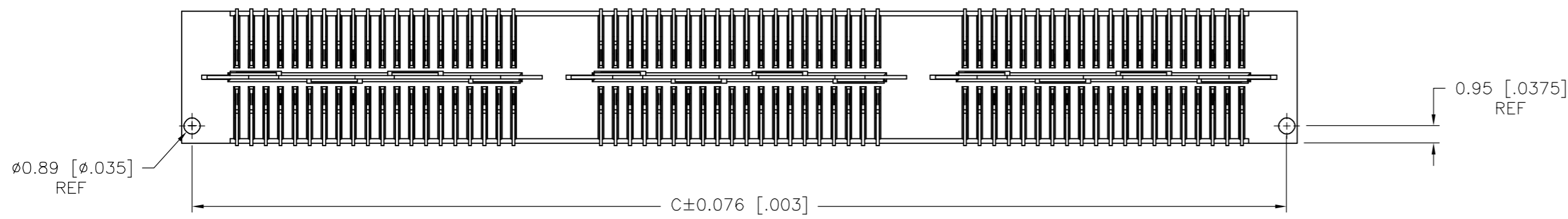
| LOC | DIST | REVISIONS | | | | | |
|-----|------|-----------|-----|-------------------------|---------|-----|------|
| | | P | LTR | DESCRIPTION | DATE | DWN | APVD |
| AD | 00 | | K | REV PER EC 0512-0310-05 | 11OCT05 | BC | DD |



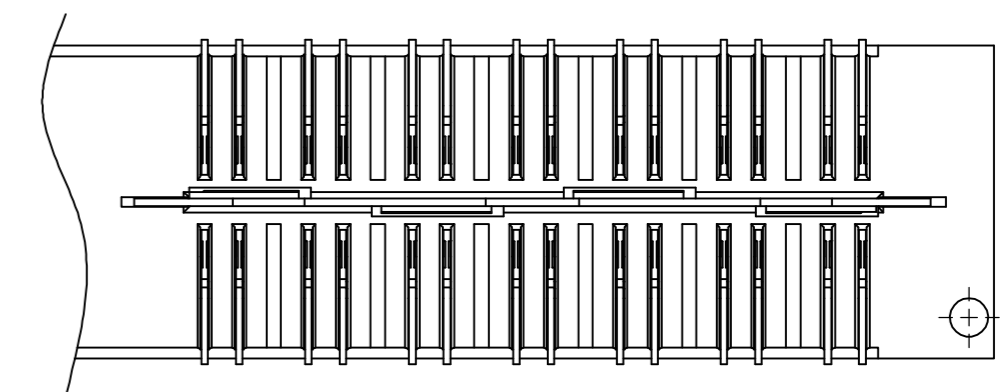
- 1 HOUSING: LCP, BLACK.
CONTACT & GROUND PLANE: PHOS BRONZE.
- 2 CONTACT PLATING: SELECT 0.76 MICROMETERS (.000030 IN) MIN GOLD.
- 3 FOR STANDARD APPLICATIONS, ORIENTATION HOLE TO BE $\phi 1.02 [\phi .0400]$.



SECTION A-A



RECOMMENDED PC BOARD LAYOUT
(VIEWED FROM CONNECTOR SIDE)

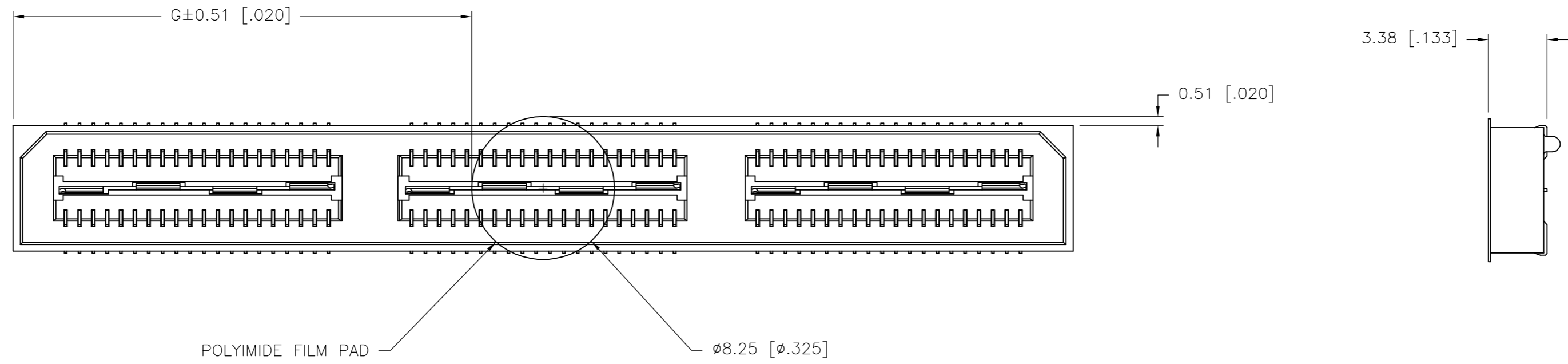


DIFFERENTIAL PAIR LOADING
(BOTTOM VIEW)
SCALE 2:1

| | | | | | | | |
|--|--|------------------|---------|----------------------------|--|---------------|--|
| THIS DRAWING IS A CONTROLLED DOCUMENT. | | DWN B.CARBO | 27MAY03 | tyco Electronics | Tyco Electronics Corporation Harrisburg, PA 17105-3608 | | |
| DIMENSIONS: mm [INCHES] | | CHK D.DIXON | 27MAY03 | | NAME RECEPTACLE ASSEMBLY, VERTICAL 0.80MM CL, MICTOR SB | | |
| TOLERANCES UNLESS OTHERWISE SPECIFIED: | | APVD D.DIXON | 27MAY03 | PRODUCT SPEC | | | |
| 0 PLC ± - | | APPLICATION SPEC | | SIZE | | | |
| 1 PLC ± 0.3[.01] | | WEIGHT | | CAGE CODE | | DRAWING NO | |
| 2 PLC ± 0.13[.005] | | CUSTOMER DRAWING | | A2 | | 00779 | |
| 3 PLC ± 0.051[.0020] | | SCALE | | C=1658462 | | RESTRICTED TO | |
| 4 PLC ± - | | 4:1 | | SHEET | | 1 of 2 | |
| ANGLES ± 2° | | SHEET | | REV | | K | |
| FINISH | | SHEET | | REV | | K | |

THIS DRAWING IS UNPUBLISHED. RELEASED FOR PUBLICATION
 © COPYRIGHT BY TYCO ELECTRONICS CORPORATION. ALL RIGHTS RESERVED.

| LOC | DIST | REVISIONS | | | |
|-----|------|-------------|------|-----|------|
| P | LTR | DESCRIPTION | DATE | DWN | APVD |
| AD | 00 | SEE SHEET 1 | - | - | - |



| | | | | | | | | | | | | |
|--------------|--------------|---|--------------|---------------|--------------|---------------|-----|----------------------|----------------|------------|-------------|-------------|
| 26.52(1.044) | 40.00(1.575) | 2 | 0.152(.0060) | 60.13(2.368) | 55.20(2.173) | 61.28(2.412) | YES | POCKET TAPE | YES | 84 | 7-1658462-3 | |
| 16.51(.650) | 20.00(.7874) | 1 | 0.102(.0040) | 40.13(1.580) | 35.20(1.386) | 41.28(1.625) | YES | POCKET TAPE | YES | 56 | 7-1658462-2 | |
| 6.52(.257) | 0(.000) | 0 | 0.102(.0040) | 20.13(.793) | 15.20(.598) | 21.29(.838) | YES | POCKET TAPE | YES | 28 | 7-1658462-1 | |
| 26.52(1.044) | 40.00(1.575) | 2 | 0.152(.0060) | 60.13(2.368) | 55.20(2.173) | 61.28(2.412) | YES | POCKET TAPE | NO | 120 | 6-1658462-3 | |
| 16.51(.650) | 20.00(.7874) | 1 | 0.102(.0040) | 40.13(1.580) | 35.20(1.386) | 41.28(1.625) | YES | POCKET TAPE | NO | 80 | 6-1658462-2 | |
| 6.52(.257) | 0(.000) | 0 | 0.102(.0040) | 20.13(.793) | 15.20(.598) | 21.29(.838) | YES | POCKET TAPE | NO | 40 | 6-1658462-1 | |
| - | 40.00(1.575) | 2 | 0.152(.0060) | 60.13(2.368) | 55.20(2.173) | 61.28(2.412) | NO | POCKET TAPE | YES | 84 | 5-1658462-3 | |
| - | 20.00(.7874) | 1 | 0.102(.0040) | 40.13(1.580) | 35.20(1.386) | 41.28(1.625) | NO | POCKET TAPE | YES | 56 | 5-1658462-2 | |
| - | 0(.000) | 0 | 0.102(.0040) | 20.13(.793) | 15.20(.598) | 21.29(.838) | NO | POCKET TAPE | YES | 28 | 5-1658462-1 | |
| - | 40.00(1.575) | 2 | 0.152(.0060) | 60.13(2.368) | 55.20(2.173) | 61.28(2.412) | NO | POCKET TAPE | NO | 120 | 4-1658462-3 | |
| - | 20.00(.7874) | 1 | 0.102(.0040) | 40.13(1.580) | 35.20(1.386) | 41.28(1.625) | NO | POCKET TAPE | NO | 80 | 4-1658462-2 | |
| - | 0(.000) | 0 | 0.102(.0040) | 20.13(.793) | 15.20(.598) | 21.29(.838) | NO | POCKET TAPE | NO | 40 | 4-1658462-1 | |
| 46.53(1.832) | 80.00(3.150) | 4 | 0.152(.0060) | 100.14(3.943) | 95.20(3.748) | 101.30(3.988) | YES | TRAY | YES | 140 | 3-1658462-5 | |
| 36.52(1.438) | 60.00(2.362) | 3 | 0.152(.0060) | 80.14(3.155) | 75.20(2.961) | 81.28(3.200) | YES | TRAY | YES | 112 | 3-1658462-4 | |
| 26.52(1.044) | 40.00(1.575) | 2 | 0.152(.0060) | 60.13(2.368) | 55.20(2.173) | 61.28(2.412) | YES | TRAY | YES | 84 | 3-1658462-3 | |
| 16.51(.650) | 20.00(.7874) | 1 | 0.102(.0040) | 40.13(1.580) | 35.20(1.386) | 41.28(1.625) | YES | TRAY | YES | 56 | 3-1658462-2 | |
| 6.52(.257) | 0(.000) | 0 | 0.102(.0040) | 20.13(.793) | 15.20(.598) | 21.29(.838) | YES | TRAY | YES | 28 | 3-1658462-1 | |
| 46.53(1.832) | 80.00(3.150) | 4 | 0.152(.0060) | 100.14(3.943) | 95.20(3.748) | 101.30(3.988) | YES | TRAY | NO | 200 | 2-1658462-5 | |
| 36.52(1.438) | 60.00(2.362) | 3 | 0.152(.0060) | 80.14(3.155) | 75.20(2.961) | 81.28(3.200) | YES | TRAY | NO | 160 | 2-1658462-4 | |
| 26.52(1.044) | 40.00(1.575) | 2 | 0.152(.0060) | 60.13(2.368) | 55.20(2.173) | 61.28(2.412) | YES | TRAY | NO | 120 | 2-1658462-3 | |
| 16.51(.650) | 20.00(.7874) | 1 | 0.102(.0040) | 40.13(1.580) | 35.20(1.386) | 41.28(1.625) | YES | TRAY | NO | 80 | 2-1658462-2 | |
| 6.52(.257) | 0(.000) | 0 | 0.102(.0040) | 20.13(.793) | 15.20(.598) | 21.29(.838) | YES | TRAY | NO | 40 | 2-1658462-1 | |
| - | 80.00(3.150) | 4 | 0.152(.0060) | 100.14(3.943) | 95.20(3.748) | 101.30(3.988) | NO | TRAY | YES | 140 | 1-1658462-5 | |
| - | 60.00(2.362) | 3 | 0.152(.0060) | 80.14(3.155) | 75.20(2.961) | 81.28(3.200) | NO | TRAY | YES | 112 | 1-1658462-4 | |
| - | 40.00(1.575) | 2 | 0.152(.0060) | 60.13(2.368) | 55.20(2.173) | 61.28(2.412) | NO | TRAY | YES | 84 | 1-1658462-3 | |
| - | 20.00(.7874) | 1 | 0.102(.0040) | 40.13(1.580) | 35.20(1.386) | 41.28(1.625) | NO | TRAY | YES | 56 | 1-1658462-2 | |
| - | 0(.000) | 0 | 0.102(.0040) | 20.13(.793) | 15.20(.598) | 21.29(.838) | NO | TRAY | YES | 28 | 1-1658462-1 | |
| - | 80.00(3.150) | 4 | 0.152(.0060) | 100.14(3.943) | 95.20(3.748) | 101.30(3.988) | NO | TRAY | NO | 200 | 1658462-5 | |
| - | 60.00(2.362) | 3 | 0.152(.0060) | 80.14(3.155) | 75.20(2.961) | 81.28(3.200) | NO | TRAY | NO | 160 | 1658462-4 | |
| - | 40.00(1.575) | 2 | 0.152(.0060) | 60.13(2.368) | 55.20(2.173) | 61.28(2.412) | NO | TRAY | NO | 120 | 1658462-3 | |
| - | 20.00(.7874) | 1 | 0.102(.0040) | 40.13(1.580) | 35.20(1.386) | 41.28(1.625) | NO | TRAY | NO | 80 | 1658462-2 | |
| - | 0(.000) | 0 | 0.102(.0040) | 20.13(.793) | 15.20(.598) | 21.29(.838) | NO | TRAY | NO | 40 | 1658462-1 | |
| G | F | E | D | C | B | A | | POLYIMIDE FILM Pad ▲ | PACKAGING TYPE | DIFF. PAIR | NO OF POS | PART NUMBER |

THIS DRAWING IS A CONTROLLED DOCUMENT.

DIMENSIONS: mm [INCHES]

TOLERANCES UNLESS OTHERWISE SPECIFIED:

| | | |
|--------|---|--------------|
| 0 PLC | ± | - |
| 1 PLC | ± | 0.3[.01] |
| 2 PLC | ± | 0.13[.005] |
| 3 PLC | ± | 0.051[.0020] |
| 4 PLC | ± | - |
| ANGLES | ± | 2° |

MATERIAL: SEE SHEET 1

FINISH: SEE SHEET 1

WEIGHT: -

CUSTOMER DRAWING

DWN: B.CARBO 27MAY03

CHK: D.DIXON 27MAY03

APVD: D.DIXON 27MAY03

PRODUCT SPEC

APPLICATION SPEC

tyco Electronics Tyco Electronics Corporation Harrisburg, PA 17105-3608

NAME: RECEPTACLE ASSEMBLY, VERTICAL 0.80MM CL, MICTOR SB

SIZE: A2 CAGE CODE: 00779 DRAWING NO: C=1658462 RESTRICTED TO: -

SCALE: 4:1 SHEET: 2 OF 2 REV: K

Mouser Electronics

Authorized Distributor

Click to View Pricing, Inventory, Delivery & Lifecycle Information:

[TE Connectivity:](#)

[1-1658462-2](#)