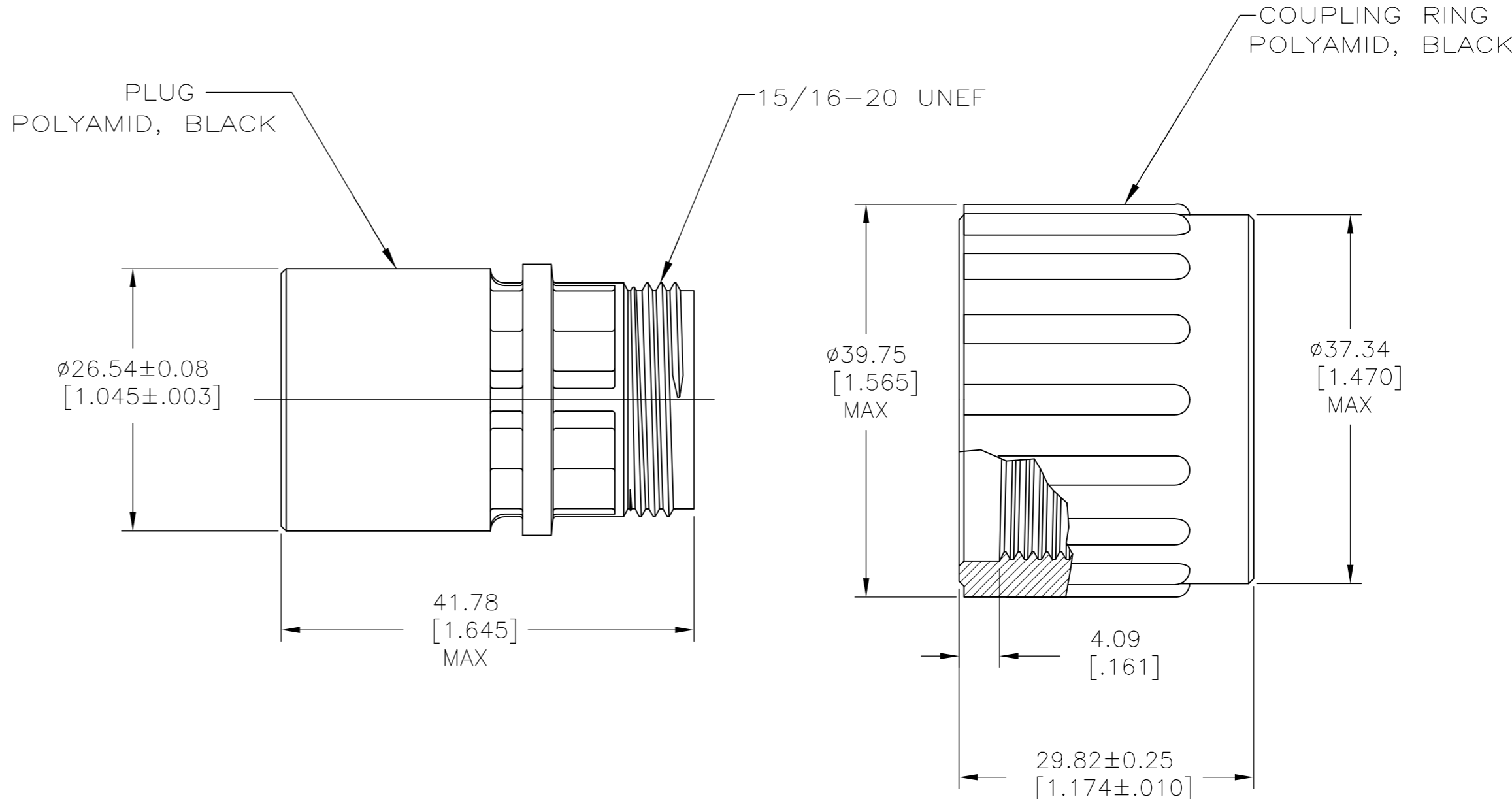
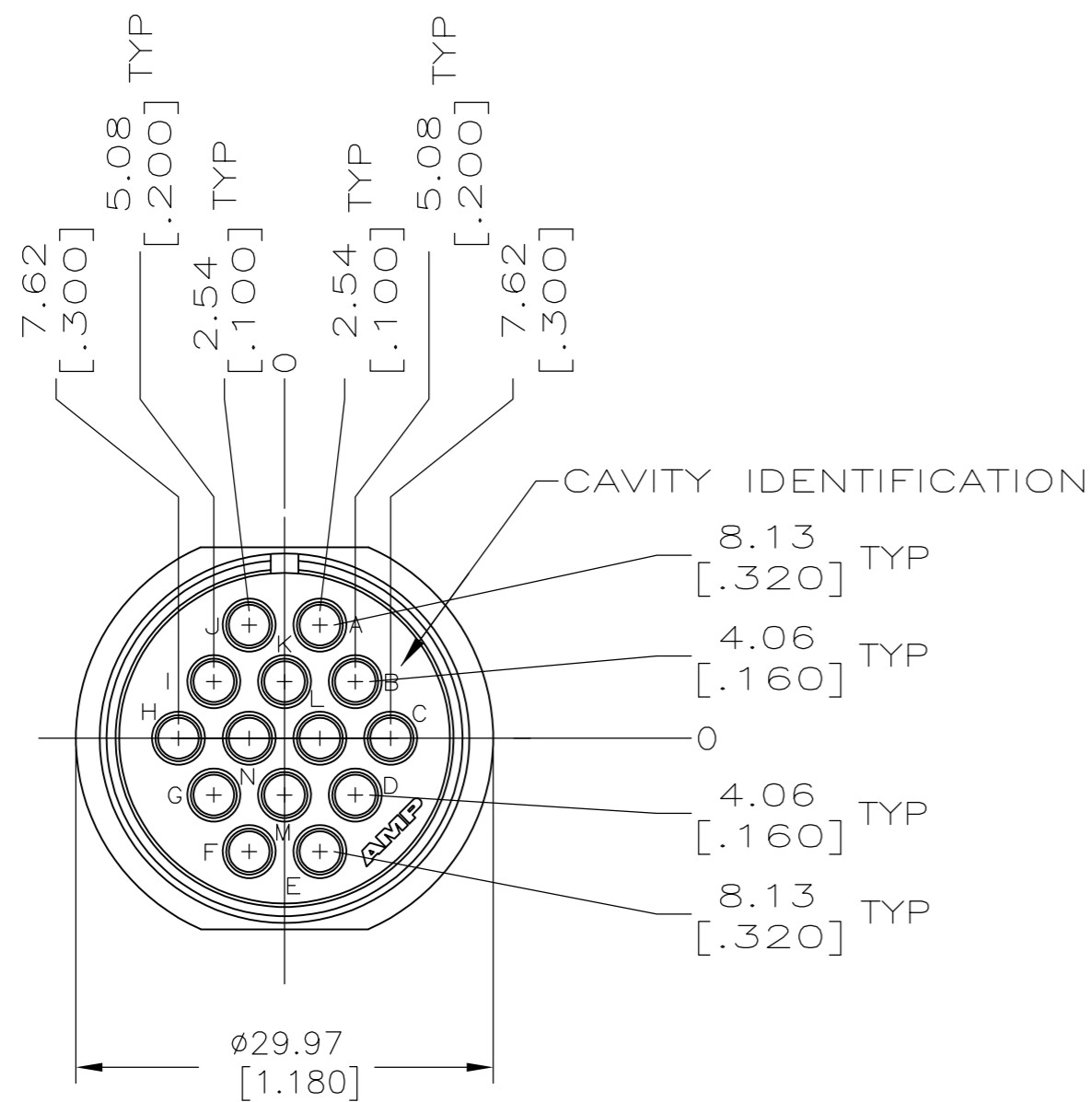


THIS DRAWING IS UNPUBLISHED. RELEASED FOR PUBLICATION
 © COPYRIGHT BY TYCO ELECTRONICS CORPORATION. ALL INTERNATIONAL RIGHTS RESERVED.

LOC	DIST	REVISIONS			
P	LTR	DESCRIPTION	DATE	DWN	APVD
BD	35				
D		REDRAWN PER ECO-09-000587	15JAN09	HMR	MS

- 1 PLUG MATES WITH RECEPTACLE, AMP PART NO 213570-1.
- 2 PLUG ACCEPTS TYPE III+ PIN CONTACTS, AMP PART NO 66597-6.
- 3 PARTS BULK PACKAGED.
- 4 PLUG MATES WITH PRODUCT DESIGNED TO MIL SPEC 5015.



AS SHOWN	213571-2
OBSOLETE	213571-1
PART NO	

THIS DRAWING IS A CONTROLLED DOCUMENT.		DWN RAGHAVENDRA 15JAN09	Tyco Electronics Corporation Harrisburg, PA 17105-3608	
DIMENSIONS: mm [INCHES]		CHK SARVER MICHAEL 15JAN09	NAME PLUG KIT, UNASSEMBLED, REVERSE SEX, 20-14 ARR, CPC	
TOLERANCES UNLESS OTHERWISE SPECIFIED:		APVD SARVER MICHAEL 15JAN09	SIZE A2	CAGE CODE 00779
0 PLC ± -	1 PLC ± -	PRODUCT SPEC	DRAWING NO C=213571	RESTRICTED TO -
2 PLC ± 0.13 [.005]	3 PLC ± -	APPLICATION SPEC	SCALE 2:1	SHEET 1 of 1
4 PLC ± -	ANGLES ± -	WEIGHT -	CUSTOMER DRAWING	REV D
MATERIAL SEE CALLOUTS	FINISH -			

Mouser Electronics

Authorized Distributor

Click to View Pricing, Inventory, Delivery & Lifecycle Information:

[TE Connectivity:](#)

[213571-2](#)