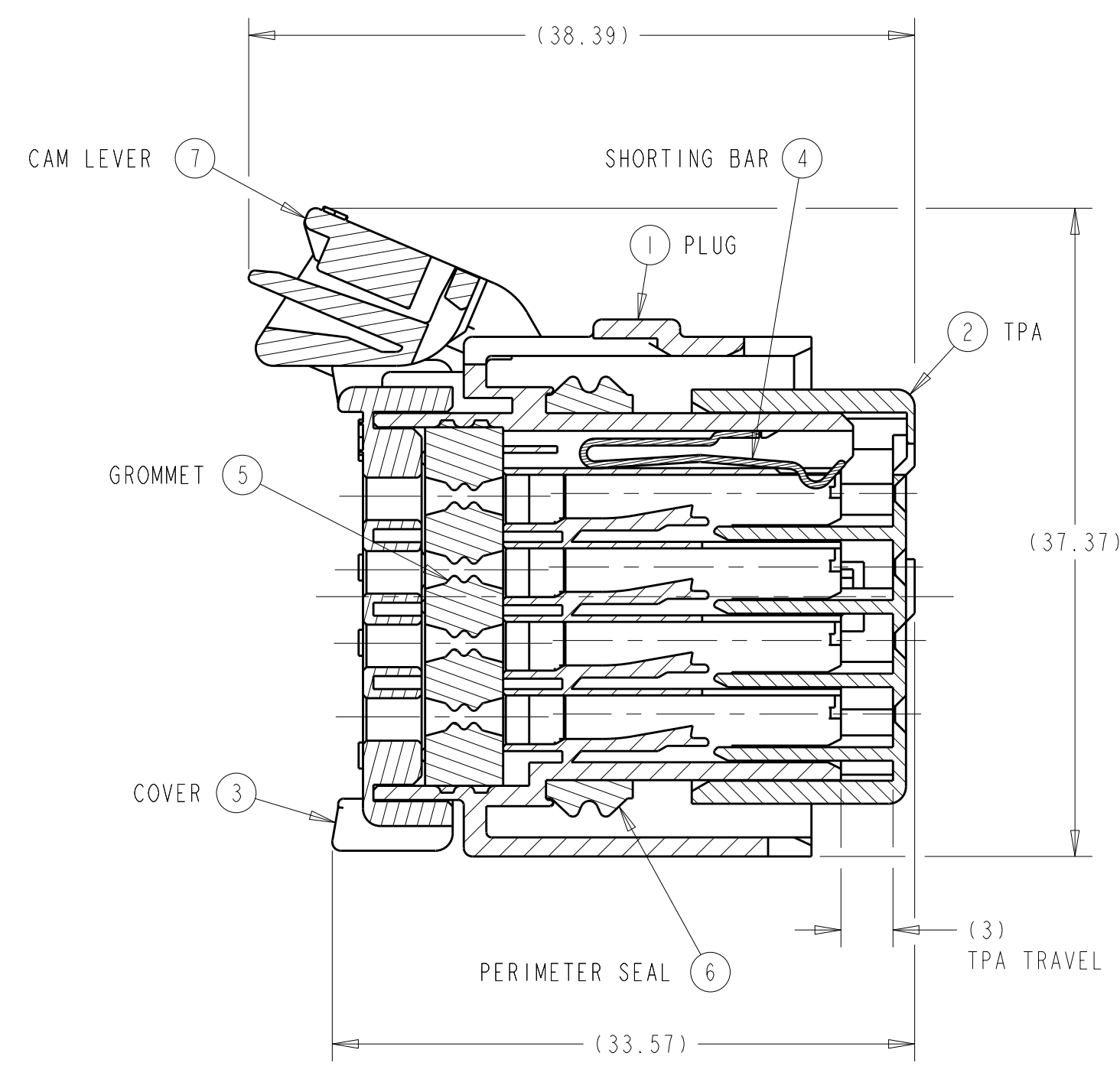
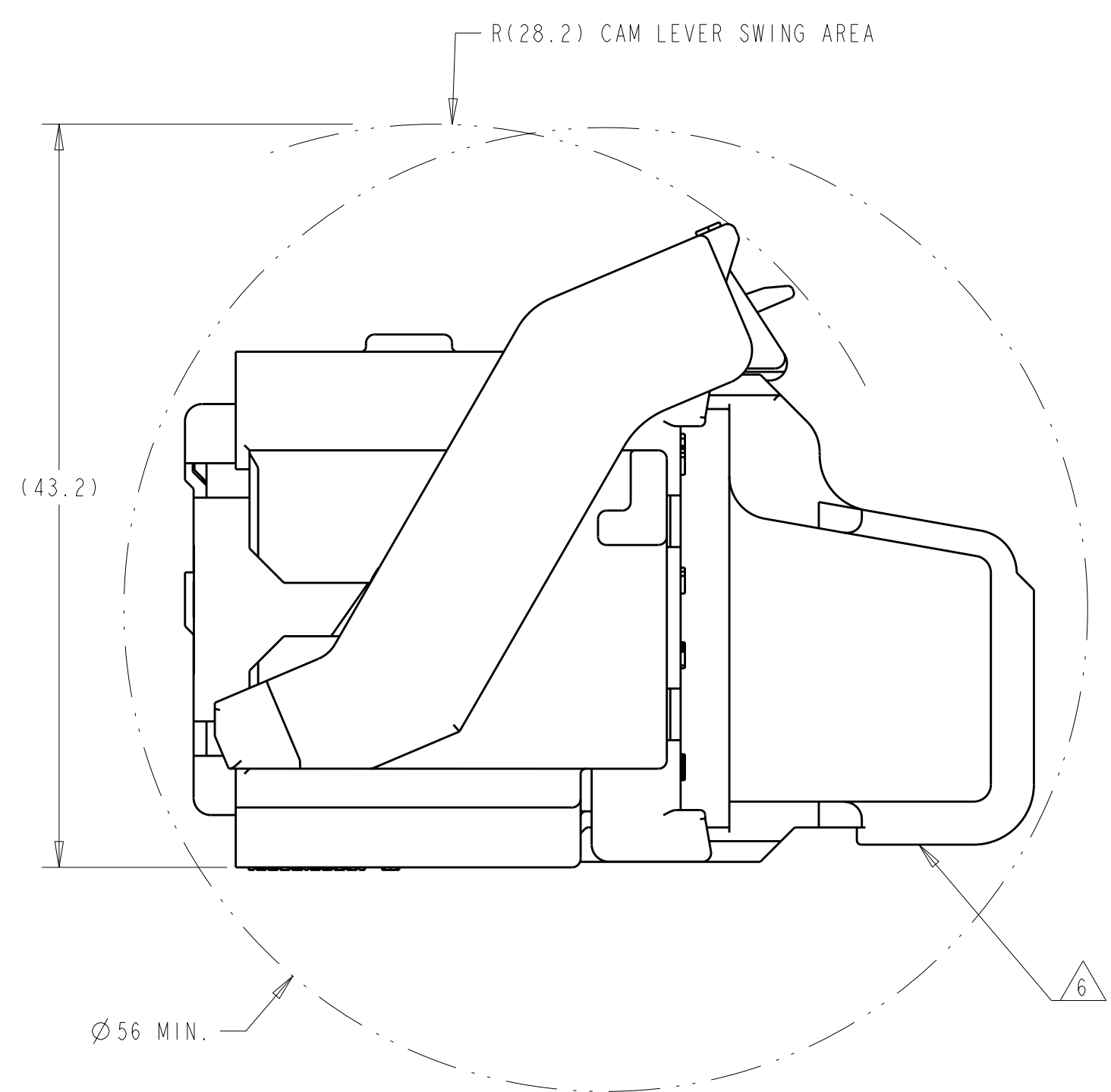
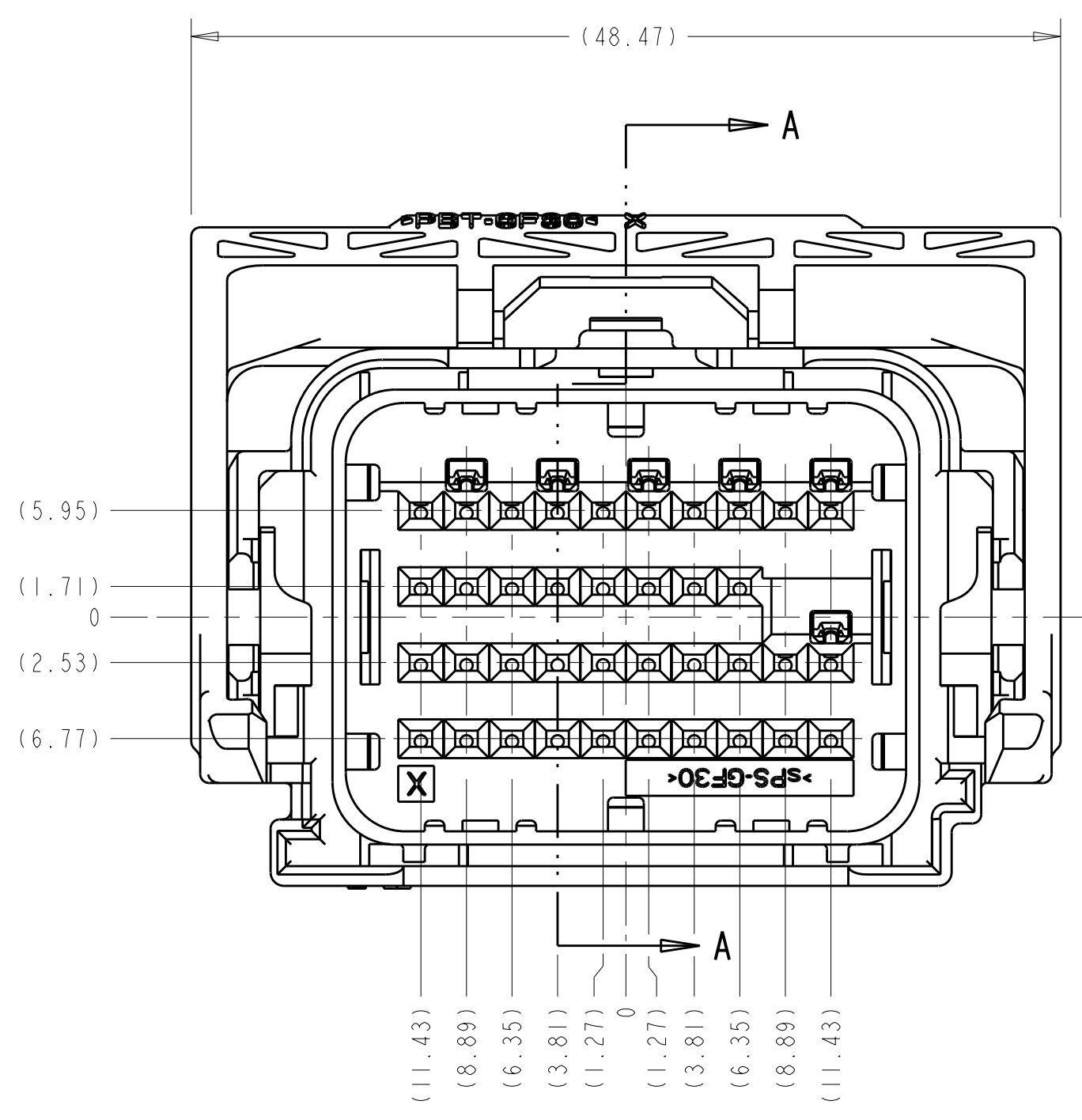


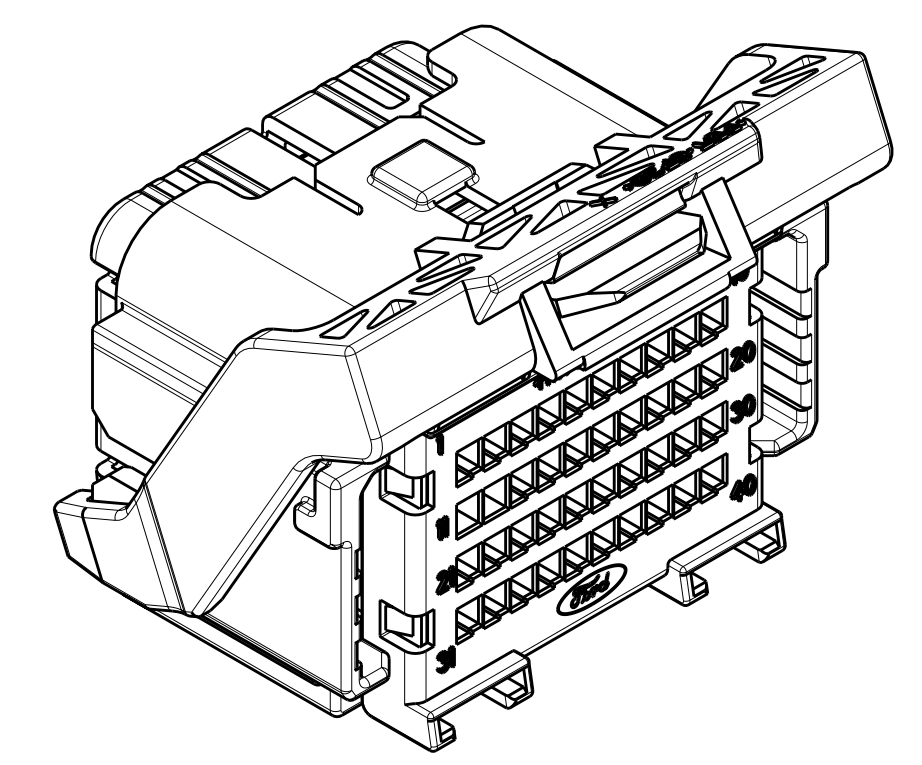
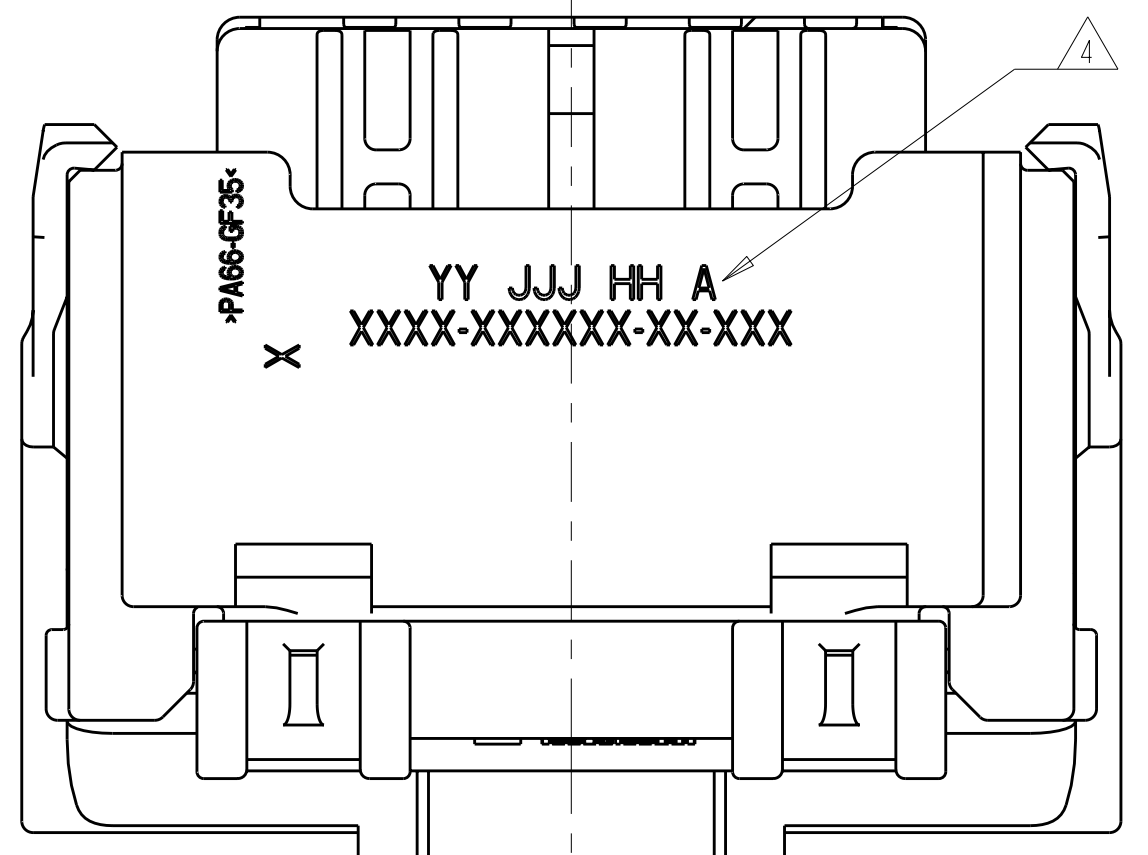
LOC	DIST	REVISIONS			
P	LT#	DESCRIPTION	DATE	OWN	APVD
FX	00	REV PER ECO 08-017679	21 JUL 2008	RGV	WTW



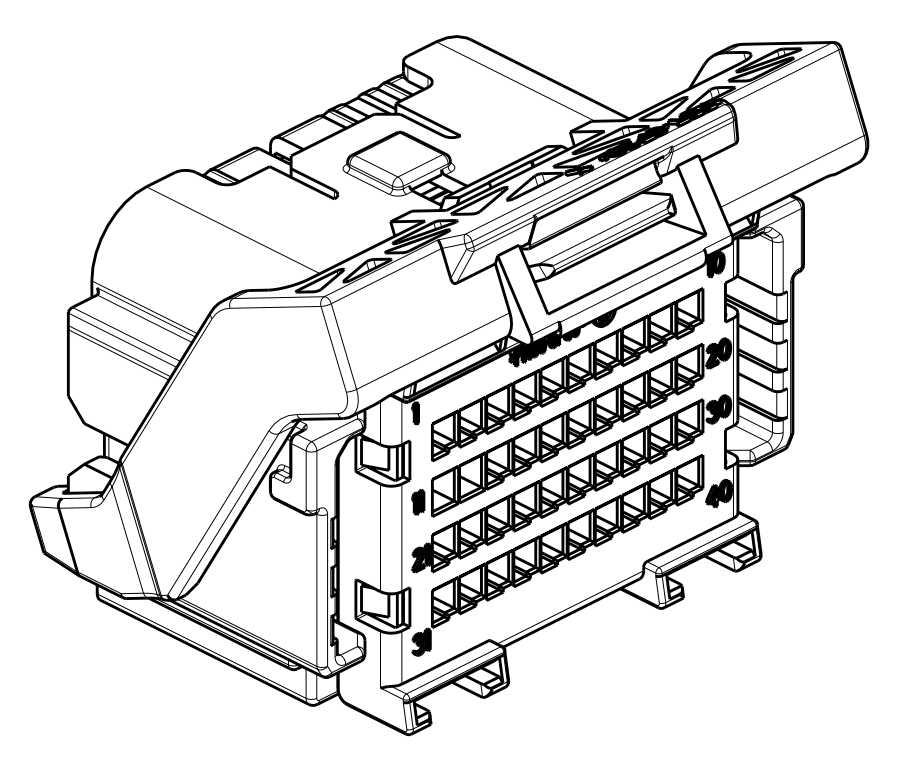
SECTION A-A  
 SHOWN WITH CAM LEVER  
 AND TPA IN THEIR  
 PRE-LOADED POSITIONS  
 (DELIVERY CONDITION)



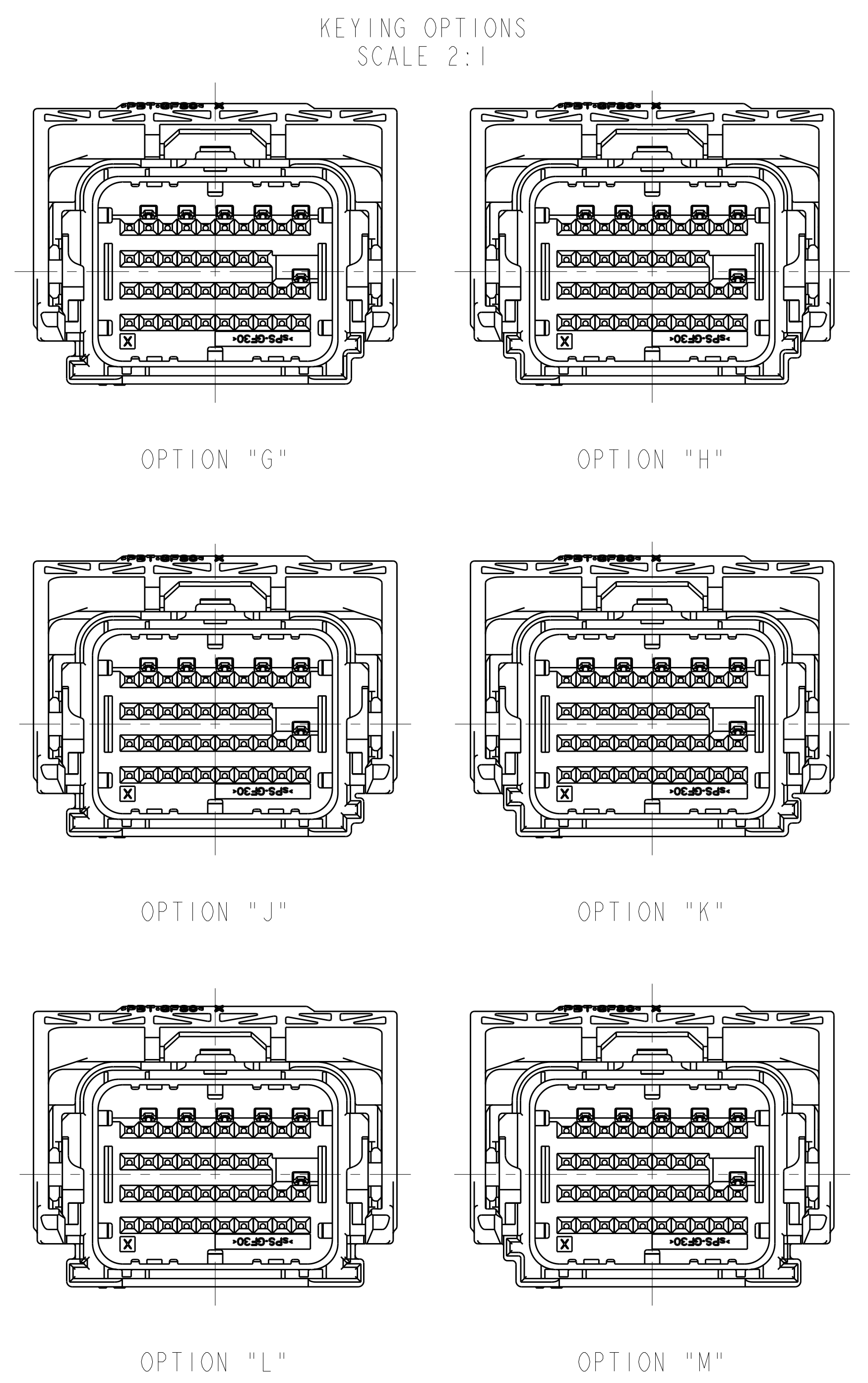
MINIMUM FEED THROUGH CONDITION  
 WITH 1mm CLEARANCE ALL AROUND  
 SHOWN WITH OPTION WIRESHIELD  
 TPA IS IN IT'S LOADED POSITION  
 CAM LEVER IS IN IT'S PRE-LOADED POSITION



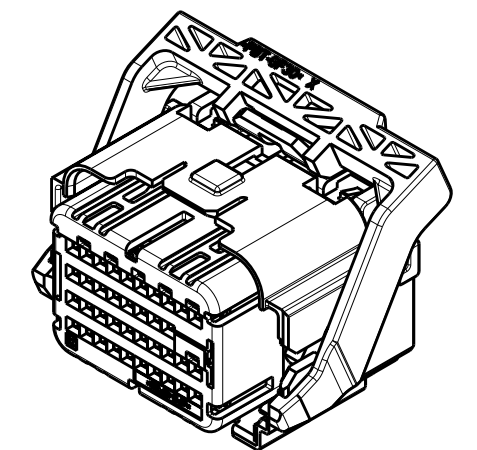
SCALE 2:1



THIS VIEW SHOWS THE  
 MODIFIED CAM LEVER  
 SCALE 2:1



KEYING OPTIONS  
 SCALE 2:1



SCALE 1:1

KEYING OPTION "G" SHOWN  
 SEE SHEET 2 FOR BILL OF MATERIALS  
 AND SHEET 3 FOR PIN-OUT CHARTS

- NOTE(S):
- APPLICABLE TERMINAL PART NUMBERS (SOLD SEPARATELY):  
 FOR TIN APPLICATIONS: 1393367 AND 1393366.  
 FOR GOLD APPLICATIONS: 1393365 AND 1393364.  
 FOR TERMINATION AND REELING OPTIONS  
 SEE DRAWINGS 1393367, 1393366, 1393365, AND 1393364.
  - COMPATIBLE WIRE SIZES FOR MAT SEAL DESIGN 1.19 TO 2.06 O.D.  
 (22-18 AWG, 0.35-0.75 mm<sup>2</sup>)
  - TPA AND CAM LEVER ARE SHIPPED IN THEIR PRE-LOADED POSITION.  
 ALL ASSEMBLIES ARE TO BE TRAY PACKAGED.
  - CUSTOMER PART NUMBER AND TRACEABILITY CODE (YY = TWO DIGIT YEAR,  
 JJJ = JULIAN DAY, HH = TWO DIGIT MILITARY HOUR, A=ASSEMBLY PROCESS  
 USED) ARE PRINTED IN THIS LOCATION.
  - PART ASSEMBLY WEIGHT WITHOUT TERMINALS AND WITH STANDARD PIN-OUT  
 CONFIGURATION IS 26.09 GRAMS.
  - OPTIONAL WIRESHIELD P/N 8-1419157-8 (SOLD SEPARATELY). PLEASE CONTACT  
 YOUR TYCO ELECTRONICS SALES REPRESENTATIVE FOR AVAILABILITY AND PRICING.

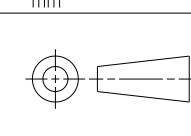
DIMENSIONS:		TOLERANCES UNLESS OTHERWISE SPECIFIED:		OWN: M. FORLSKA	20APR2002	Tyco Electronics Harrisburg, PA 17105-3608
mm		0 PLC ±	1 PLC ±0.3	CHK: M. FORLSKA	20APR2002	
FINISH:		2 PLC ±	3 PLC ±0.10	APVD: A. VALASEK	20APR2002	NAME: 40 WAY ARM PLUG ASSEMBLY WITH SHORTING BARS CUSTOMER SPEC.
MATERIAL: SEE CHART ON SHEET 2		4 PLC ±	ANGLES ±	PRODUCT SPEC:		
		5 PLC ±		APPLICATION SPEC:		SIZE: CAGE CODE: DRAWING NO: RESTRICTED TO
		6 PLC ±		WEIGHT: SEE NOTE 5	A11 00779	©=7-1419157-9
		7 PLC ±		CUSTOMER DRAWING		SCALE: 3:1 SHEET 1 OF 3 REV: BT

LOC	DIST	REVISIONS					
FX	00	P	LTB	DESCRIPTION	DATE	DWN	APVD
		-	-	SEE SHEET 1	-	-	-

ASSEMBLY PART NUMBERS										ITEM	DESCRIPTION	MATERIAL	FINISH/COLOR	
											7	CAM LEVER	PBT 30% GF	GRAY
											7	CAM LEVER WITH MODIFIED TAB	PBT 30% GF	GRAY
											6	PERIMETER SEAL	SILICONE	GREEN
											5	GROMMET	SILICONE	BROWN
										6	6	SHORTING BAR	S.S.	SEE COMPONET DRAWING
											3	COVER	PA66 35% GF	BLACK
											2	TPA FOR SHORTING BAR APPLICATIONS	sPS 30% GF	RED
											1	PLUG WITH KEYING OPTION "H" AND 6 SHORTING BAR POSITIONS CONFIGURATION	PA66 35% GF	BLACK
											1	PLUG WITH KEYING OPTION "G" AND 6 SHORTING BAR POSITIONS CONFIGURATION	PA66 35% GF	BLACK
QUANTITY										ITEM	DESCRIPTION	MATERIAL	FINISH/COLOR	

ASSEMBLY PART NUMBERS										ITEM	DESCRIPTION	MATERIAL	FINISH/COLOR	
											7	CAM LEVER	PBT 30% GF	GRAY
											7	CAM LEVER WITH MODIFIED TAB	PBT 30% GF	GRAY
											6	PERIMETER SEAL	SILICONE	GREEN
											5	GROMMET	SILICONE	BROWN
										6	6	SHORTING BAR	S.S.	SEE COMPONET DRAWING
											3	COVER	PA66 35% GF	BLACK
											2	TPA FOR SHORTING BAR APPLICATIONS	sPS 30% GF	RED
											1	PLUG WITH KEYING OPTION "H" AND 6 SHORTING BAR POSITIONS CONFIGURATION	PA66 35% GF	BLACK
											1	PLUG WITH KEYING OPTION "G" AND 6 SHORTING BAR POSITIONS CONFIGURATION	PA66 35% GF	BLACK
QUANTITY										ITEM	DESCRIPTION	MATERIAL	FINISH/COLOR	

ASSEMBLY PART NUMBERS										ITEM	DESCRIPTION	MATERIAL	FINISH/COLOR	
											7	CAM LEVER	PBT 30% GF	GRAY
											7	CAM LEVER WITH MODIFIED TAB	PBT 30% GF	GRAY
											6	PERIMETER SEAL	SILICONE	GREEN
											5	GROMMET	SILICONE	BROWN
										6	6	SHORTING BAR	S.S.	SEE COMPONET DRAWING
											3	COVER	PA66 35% GF	BLACK
											2	TPA FOR SHORTING BAR APPLICATIONS	sPS 30% GF	RED
											1	PLUG WITH KEYING OPTION "H" AND 6 SHORTING BAR POSITIONS CONFIGURATION	PA66 35% GF	BLACK
											1	PLUG WITH KEYING OPTION "G" AND 6 SHORTING BAR POSITIONS CONFIGURATION	PA66 35% GF	BLACK
QUANTITY										ITEM	DESCRIPTION	MATERIAL	FINISH/COLOR	

DIMENSIONS: mm 		TOLERANCES UNLESS OTHERWISE SPECIFIED: 0 PLC ±.3 1 PLC ±.3 2 PLC ±.10 3 PLC ±.10 4 PLC ±.10 5 PLC ±.10 6 PLC ±.10 7 PLC ±.10 8 PLC ±.10 9 PLC ±.10 ANGLES ±.3° FINISH -		DWN 20APR2002 CHK M. FORLSKA M. FORLSKA APVD A. VALASEK PRODUCT SPEC APPLICATION SPEC WEIGHT CUSTOMER DRAWING		Tyco Electronics Harrisburg, PA 17105-3608 NAME 40 WAY ARM PLUG ASSEMBLY WITH SHORTING BARS CUSTOMER SPEC. SIZE CAGE CODE DRAWING NO A1 00779 C-7-1419157-9 RESTRICTED TO SCALE 3:1 SHEET 2 OF 3 REV BT	
--	--	---	--	--	--	--	--



# Mouser Electronics

Authorized Distributor

Click to View Pricing, Inventory, Delivery & Lifecycle Information:

[TE Connectivity:](#)

[1-1438090-4](#)