
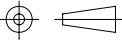


Qty Per:	TRAY	CARTON		
	12	72		
PART NUMBER	STATEMENT			
SFP0-3030-L	INNER/OUTER LIGHT PIPES			
No.	DESCRIPTION	Q'ty	MATERIAL	PLATING
01	SFP CAGE (Non-Logo)	1	COPPER ALLOY	
02	CONNECTOR	2	HIGH TEMP/COPPER ALLOY	GOLD
03	LIGHT PIPES	2	POLYCARBONITE	

DETACHED LISTS	MM ← (INCH) →	RoHS Compliant	 A TECHNITROL COMPANY		
	TOLERANCES EXCEPT AS NOTED			TITLE	W/LIGHT PIPES
	MM				
	.0 ± 0.25	±			
.00 ± 0.2	±				
.000 ± 0.10	±				
ANGLES ± 0.5					
	THIRD ANGLE PROJECTION	DFTD Jack	DRAWING NO. CSFP0-3030-L	SIZE	REV
		DATE 6/09/10'	/PART NO. SFP0-3030-L	A3	2
		SCALE : 2:1	DO NOT SCALE DRAWING	SHEET 1	OF 4

8

7

6

5

4

3

2

1

A

B

C

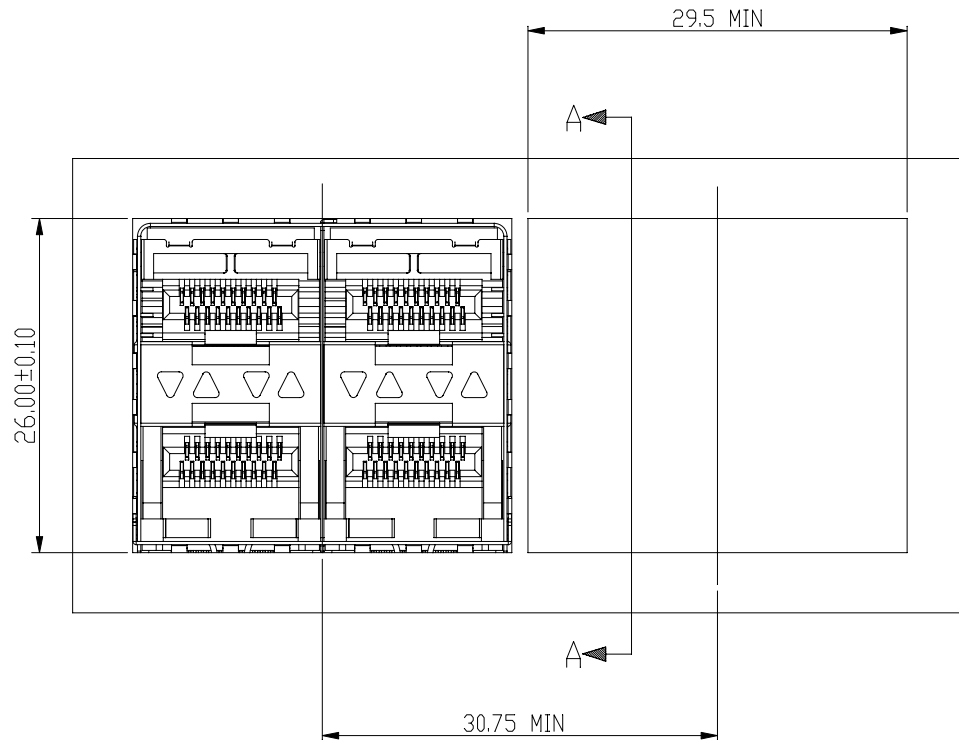
D

E

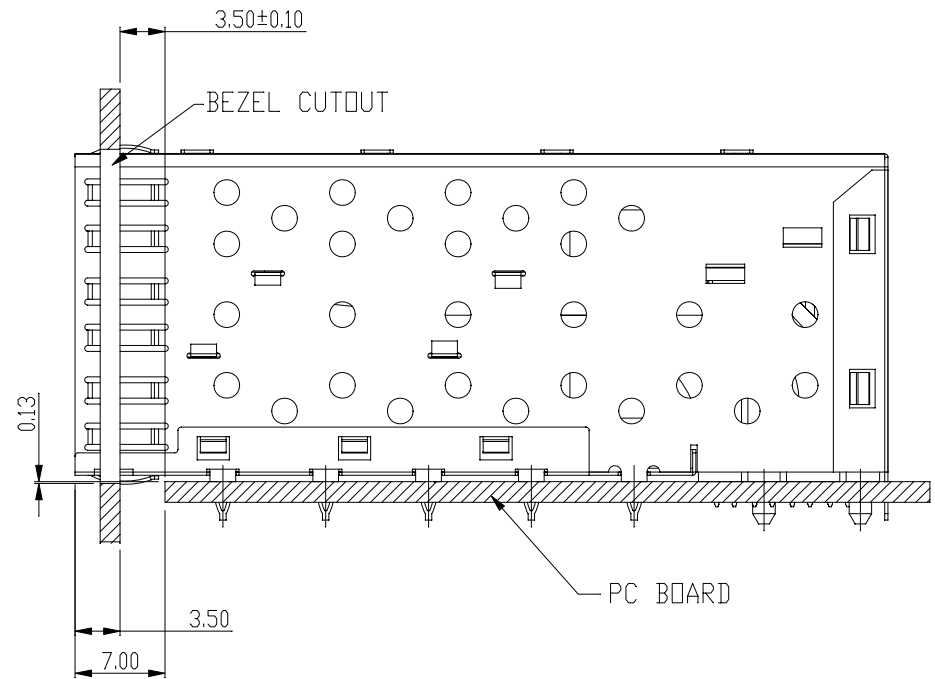
F

G

H

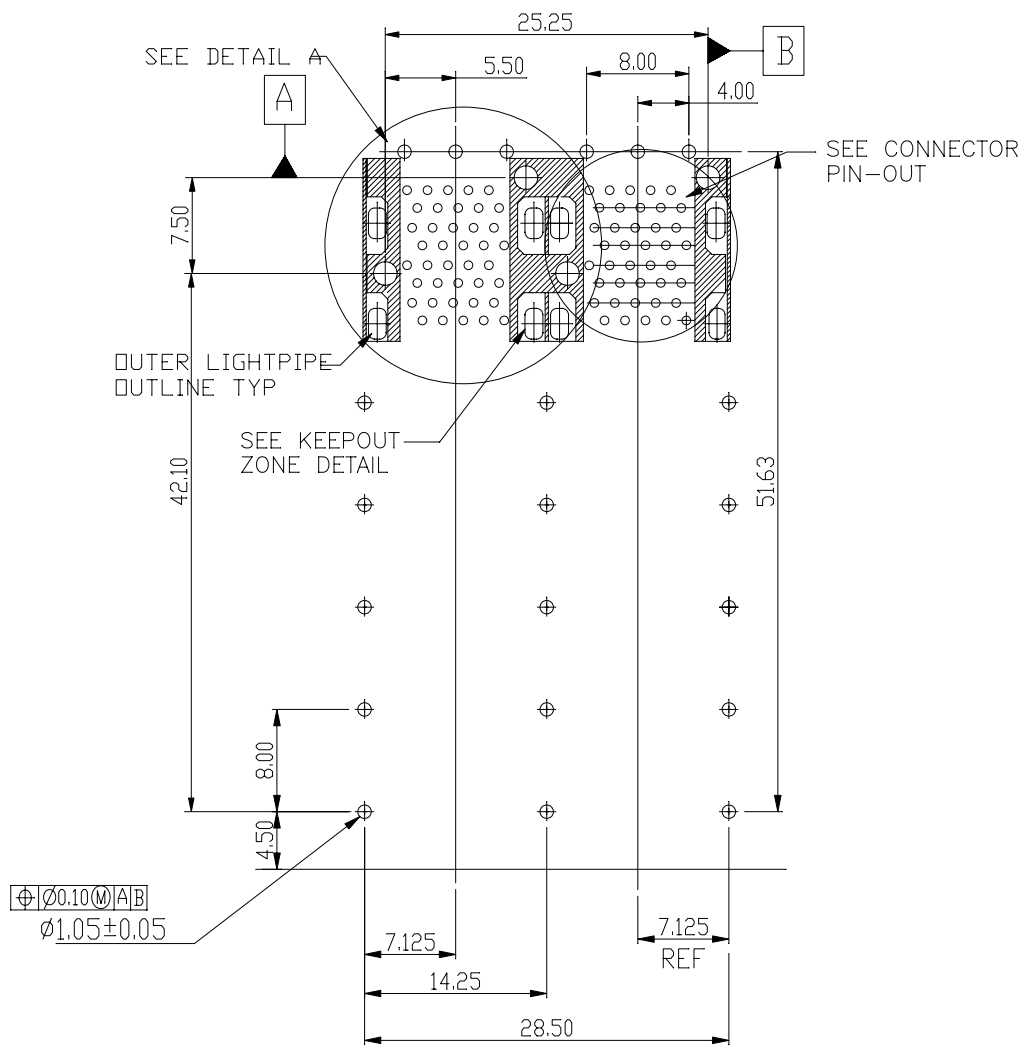
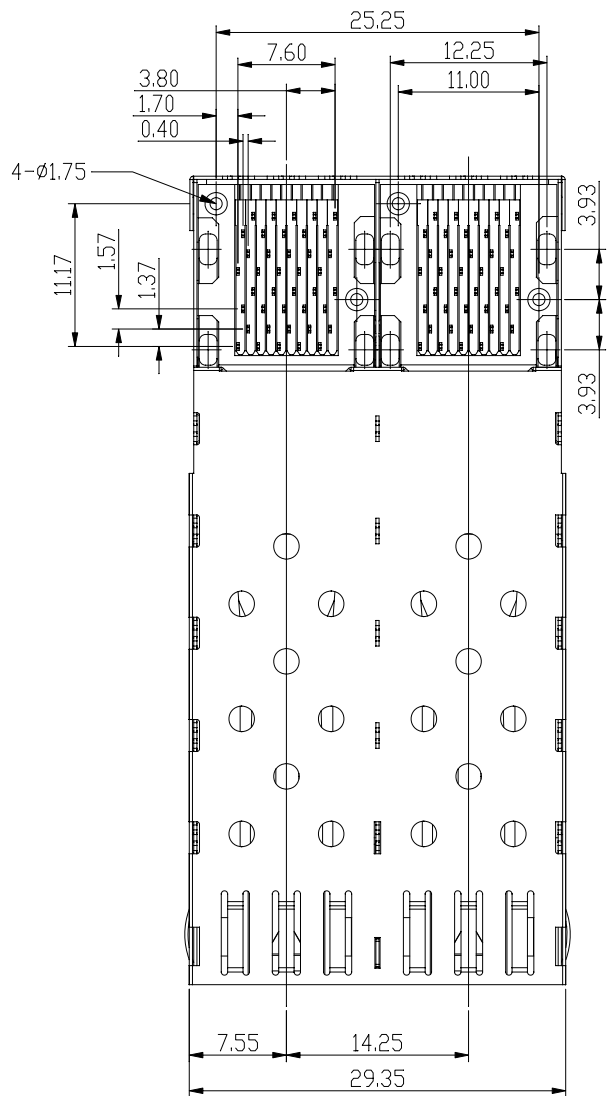


BEZEL CUT-OUT CENTER SPACING DETAIL
BEZEL THICKNESS:0.8-2.6



SECTION A-A

DETACHED LISTS	← MM (INCH) →	RoHS Compliant			
	TOLERANCES EXCEPT AS NOTED				
	MM	±	TITLE SFP 2 BY 2 CAGE+CONNECTOR_P W/LIGHT PIPES	SIZE A3	REV 2
	.0 ± 0.25	±			
.00 ± 0.2	±				
.000 ± 0.10	±	DRAWING NO. CSFP0-3030-L		SHEET 2	
ANGLES ± 0.5	DATE 6/09/10'		/PART NO. SFP0-3030-L		OF 4
	SCALE : 2:1		DO NOT SCALE DRAWING		



8

7

6

5

4

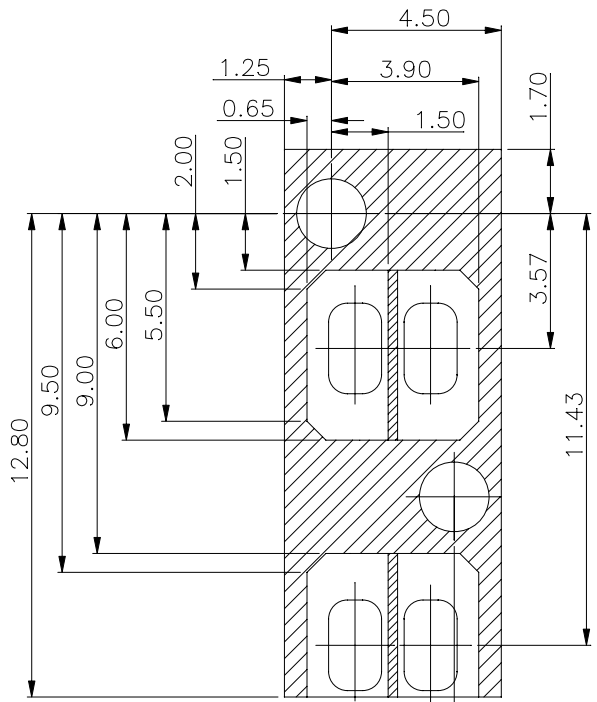
3

2

1

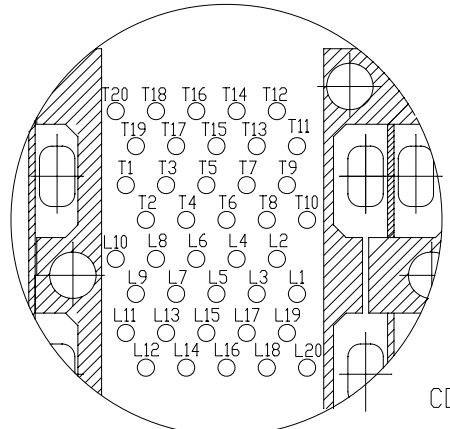
← MM (INCH) → TOLERANCES EXCEPT AS NOTED		RoHS Compliant			
DETACHED LISTS	MM	±	TITLE SFP 2 BY 2 CAGE+CONNECTOR_P W/LIGHT PIPES		
	.0 ± 0.25	±			
	.00 ± 0.2	±			
.000 ± 0.10	±	DFTO Jack DATE 6/09/10'			
ANGLES ± 0.5		DRAWING NO. CSFP0-3030-L		SIZE A3	REV 2
 THIRD ANGLE PROJECTION		SCALE : 2:1		DO NOT SCALE DRAWING	SHEET 3 OF 4

H
G
F
E
D
C
B
A

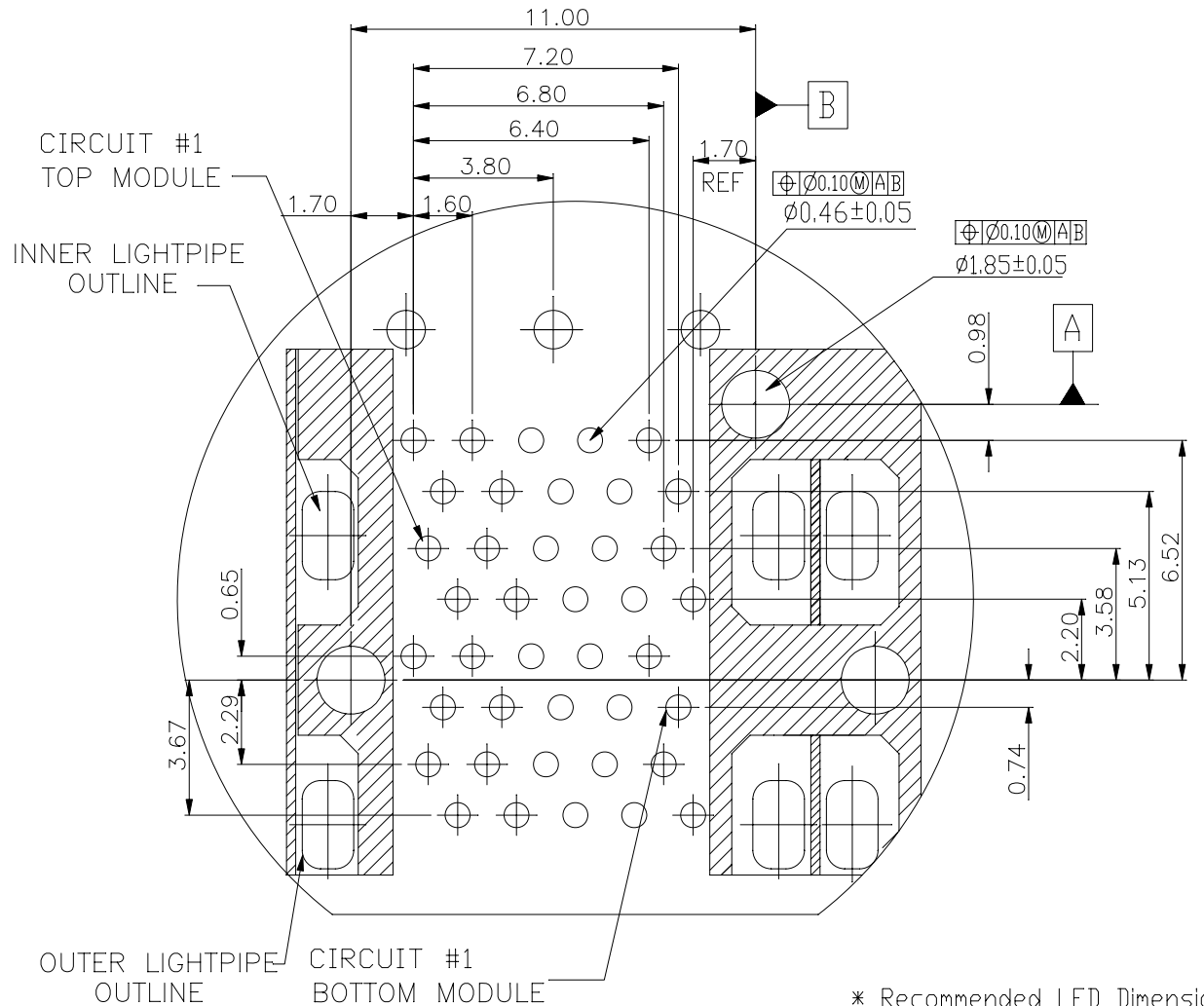


KEEPOUT ZONE DETAIL
SCALE 6:1

2.00 0.62 REF



CONNECTOR PIN-OUT
COMPONENT SIDE OF BOARD



DETAIL A
SCALE 6:1

- * Recommended LED Dimensions
- Dimensions(WxLxH):
- 0.5x1.0x0.5 mm
- 0.8x1.6x0.5 mm
- 1.25x2.0x0.8 mm
- 1.25x1.6x0.65 mm

DETACHED LISTS	MM (INCH)	RoHS Compliant	Pulse A TECHNITROL COMPANY	
	TOLERANCES EXCEPT AS NOTED	TITLE		W/LIGHT PIPES
	MM	SFP 2 BY 2 CAGE+CONNECTOR_P		
	.0 ± 0.25 ± .00 ± 0.2 ± .000 ± 0.10 ±	DFTD Jack		DRAWING NO. CSFP0-3030-L
ANGLES ± 0.5	DATE 6/09/10'	/PART NO. SFP0-3030-L		SIZE A3
THIRD ANGLE PROJECTION	SCALE : 2:1	DO NOT SCALE DRAWING		REV 2
		SHEET 4		OF 4

Mouser Electronics

Authorized Distributor

Click to View Pricing, Inventory, Delivery & Lifecycle Information:

Pulse:

[SFP0-3030-L](#)