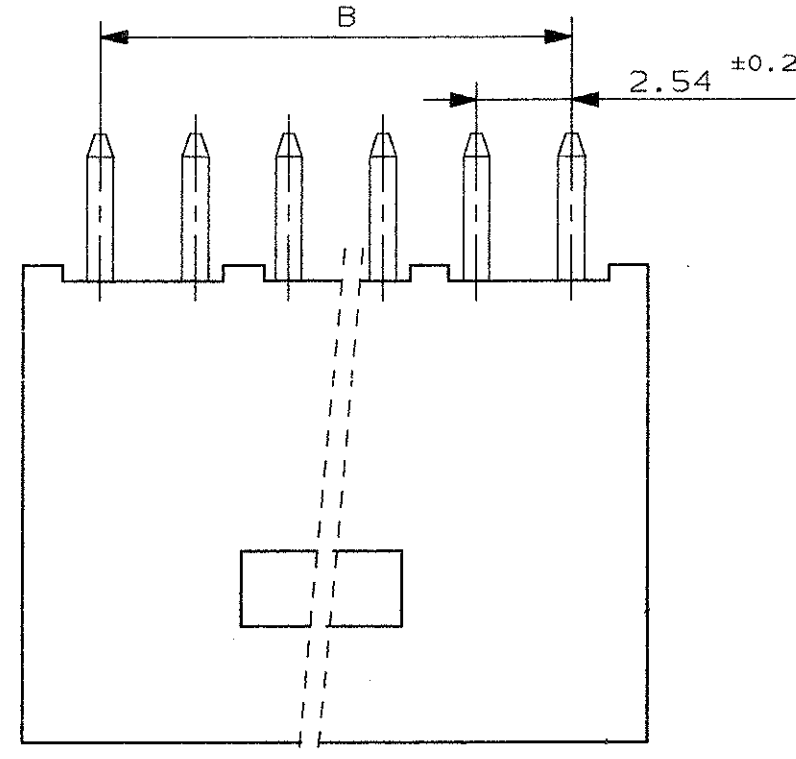


SEZ. PARZIALE (PARTIAL SEC.) A-A



58.5	53.34	280376-3	<del>280376-2</del> <sup>6</sup>	280376-1	22
40.7	35.56	280375-3	280375-2	280375-1	15
33.1	27.94	280520-3	280520-2	280520-1	12
28.0	22.86	280374-3	280374-2	280374-1	10
25.4	20.32	<del>280508-3</del> <sup>5</sup>	280508-2	280508-1	9
22.9	17.78	<del>280373-3</del> <sup>6</sup>	280373-2	280373-1	8
17.8	12.70	280372-3	280372-2	280372-1	6
12.7	7.62	280371-3	280371-2	280371-1	4
7.7	2.54	280370-3	280370-2	280370-1	2
D	B	NUMERO (PART NUMBER) <sup>3</sup>	NUMERO (PART NUMBER) <sup>2</sup>	NUMERO (PART NUMBER) <sup>1</sup>	NO. POS.

- <sup>1</sup> FINITURA (FINISH): 3 - 5µm TIN OVER 1.27µm NICKEL
- <sup>2</sup> FINITURA (FINISH): DORATO 0.4µm NELL'AREA DI CONTATTO E STAGNATO 2.5µm NELLA ZONA A SALDARE, SU 1.3µm DI NI. (DUPLIX PLATED 0.4µm GOLD IN CONTACT AREA AND 2.5µm TIN IN SOLDER AREA, OVER 1.3µm NICKEL).
- <sup>3</sup> FINITURA (FINISH): DORATO 0.8µm NELL'AREA DI CONTATTO E STAGNATO 2.5µm NELLA ZONA A SALDARE, SU 1.3µm DI NI. (DUPLIX PLATED 0.8µm GOLD IN CONTACT AREA AND 2.5µm TIN IN SOLDER AREA, OVER 1.3µm NICKEL).
- <sup>4</sup> MATERIALI (MATERIALS):  
-BLOCCHETTI: POLIESTERE AUTOESTINGUENTE UL94V-0, COLORE NERO.  
(HOUSINGS: FLAME RETARDANT THERMOPLASTIC, COLOR BLACK).  
-TIN AND GOLD PLATED CONTACTS: BRASS

<sup>5</sup> P/N OBSOLETO (OBSOLETE P/N)

<sup>6</sup> OBSOLETE

CUSTOMER DRAWING FOR REFERENCE ONLY / DISEGNO PER CLIENTE SOLO PER RIFERIMENTO

THIS DRAWING IS UNPUBLISHED / RELEASE FOR PUBLICATION 19  
© COPYRIGHT 19 BY TE INCORPORATED, HARRISBURG, PA. ALL INTERNATIONAL RIGHT RESERVED. TE PRODUCTS MAY BE COVERED BY U.S. AND FOREIGN PATENT AND/OR PATENT PENDING

TOLLERANZE, SE NON DIVERSAMENTE SPECIFICATO / (TOLERANCES, UNLESS OTHERWISE SPECIFIED)  
MATERIALI (MATERIALS) / SCALA (SCALE) 5:1  
VEDERE NOTA (SEE NOTE) <sup>4</sup>

M1	NOTE 1 UPDATED TO ADD NICKEL UNDERLAYER	KJK	PS	± 0.3
M	STREAMLINING OF CONTACT BASE MATERIAL TO BRASS	SMT	RP	ANGOLI (ANGLES) ± 2°
L2	ECR-10-022530	KK	10FEB11	DIS. G. CAMPIA (DR.) 12 FEB 90
L1	MODIFIED PER ET00-0263-95	10FEB11	28-9 '98	
L	OBSOLETE P/N 280503-3 (ET00-518-96)	C.P.	4-12 '96	CONT. (CHK) -
K	AGGIORNATO E RIDISEGNATO (REVISED & REDRAWN)	G.C.	2/90	APP. (APP.) -
REV	REVISIONI (REVISION RECORD)	DIS. DATA (DR) (DATE)		

TE Connectivity  
DESCRIZIONE (DESCRIPTION) AMPMODU II HEADER  
ASS. IES, STRAIGHT, SINGLE ROW  
LOC. SIZE NUMERO (CONG NO) I A3 C - 280370  
REV. M1  
FOGLIO (SHEET) 1 DI (OF) 1

DISTRIBUZIONE (PRINT DIST.)

# Mouser Electronics

Authorized Distributor

Click to View Pricing, Inventory, Delivery & Lifecycle Information:

[TE Connectivity:](#)

[280374-2](#)