

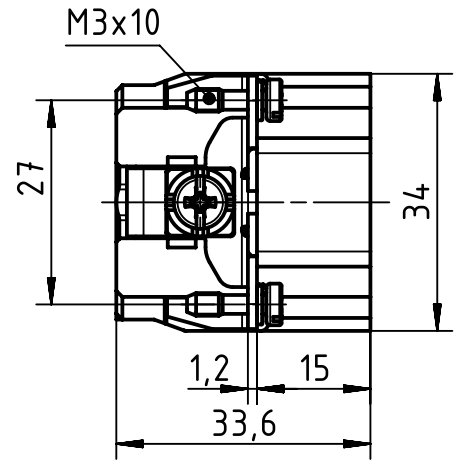
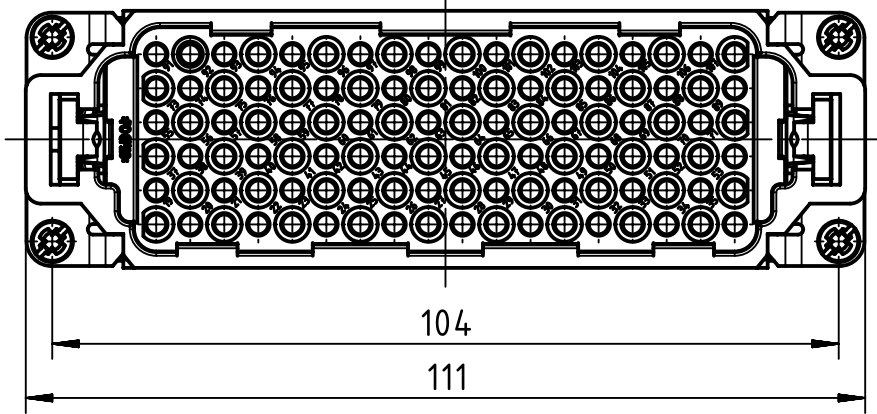
1 2 3 4 5 6

A

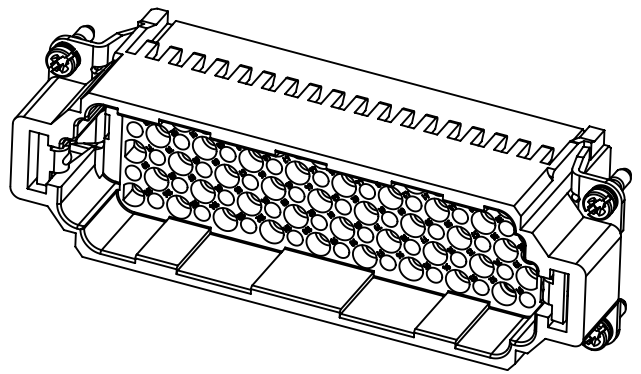
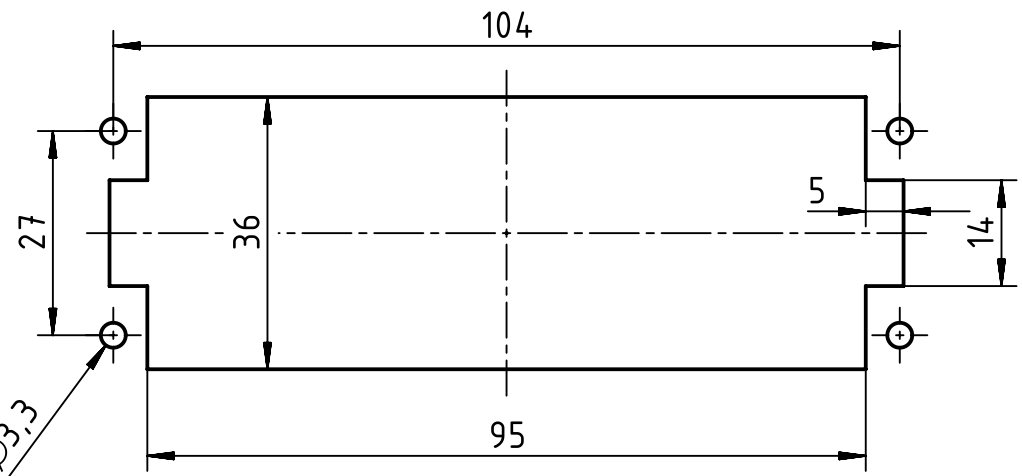
B

C

D



panel cut out



	All Dimensions in mm Original Size DIN A4		Scale 1:1		Free size tol.		Ref.			
	All rights reserved Department EL PD - DE		Created by MATAU		Inspected by PRIESTER		Standardisation TIEMANNA			
HARTING Electric GmbH & Co. KG D-32339 Espelkamp		Title Han 108 DD-STI-C					Date 2016-05-10		State Final Release	
		Type TB					Number 09 16 108 3001		Doc-Key / ECM-Nr. 100216577/UGD/003/B 500000098054	
							Rev. B		Page 1/1	

# Mouser Electronics

Authorized Distributor

Click to View Pricing, Inventory, Delivery & Lifecycle Information:

[HARTING:](#)

[09161083001](#)