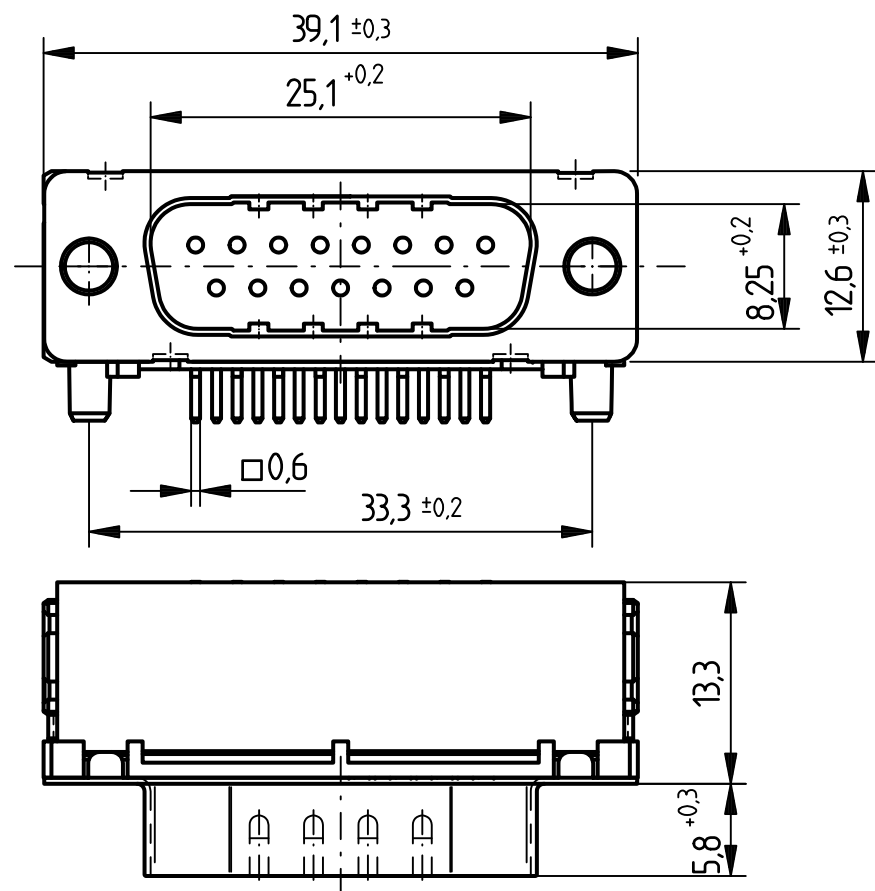
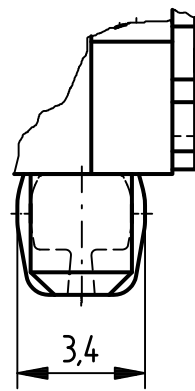
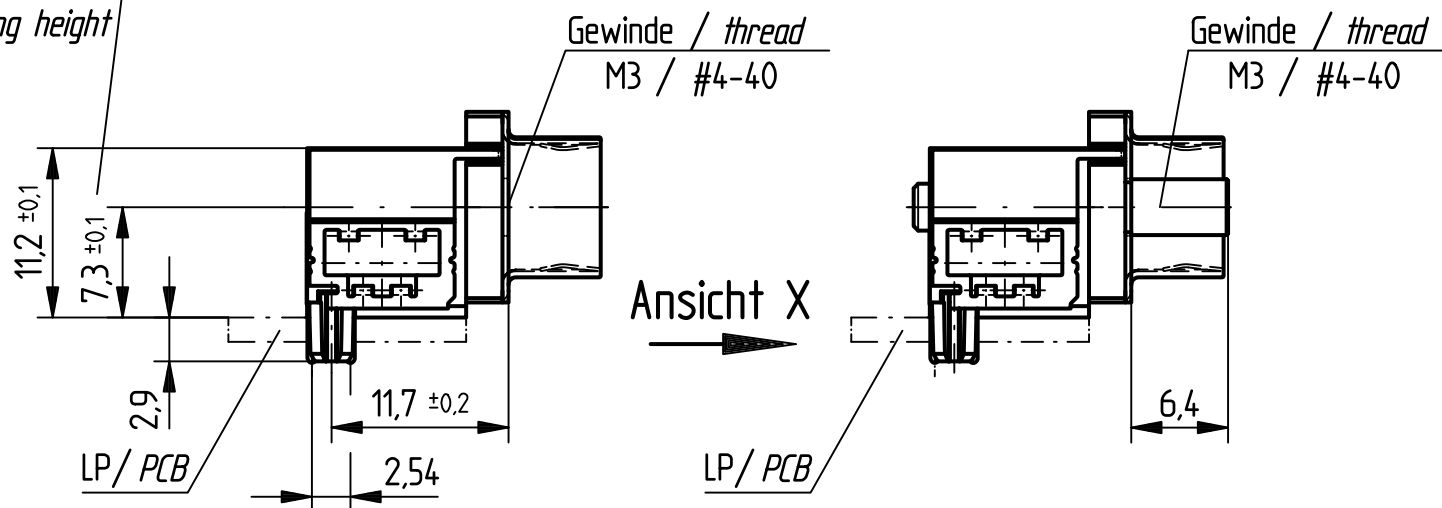


Ansicht X  
M 5:1



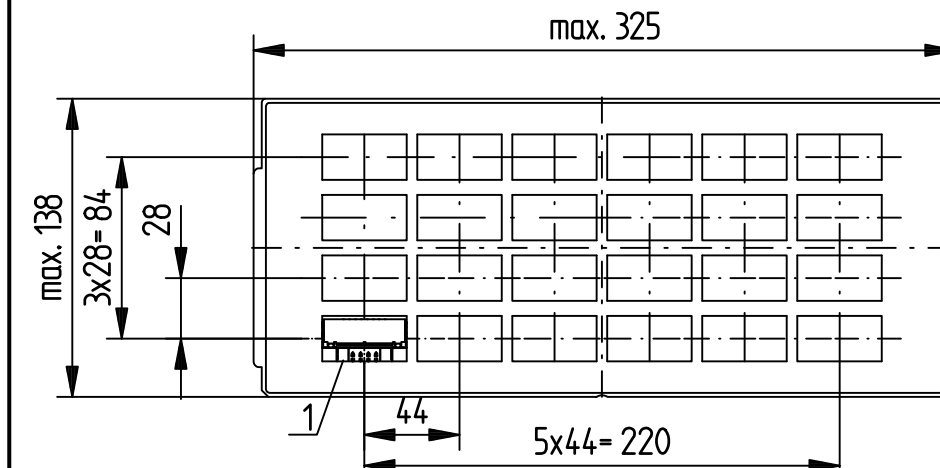
Einbauhöhe  
mounting height



Anschlussbereich verzinkt  
terminal area tin plating

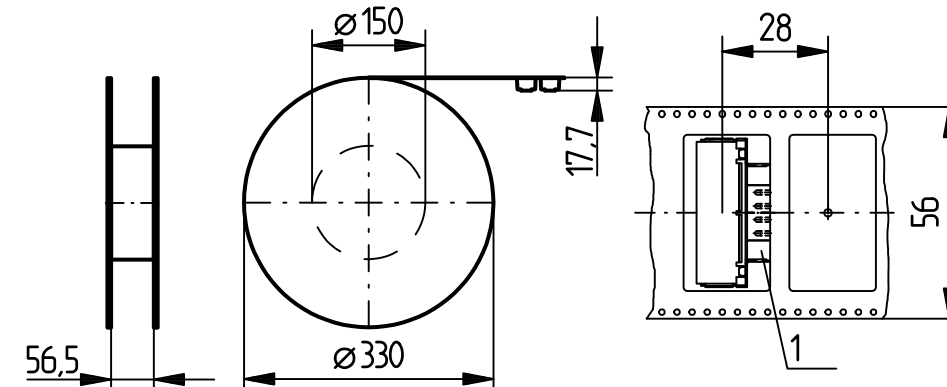
Anforderungsstufe: 2  
class: 2

	174421	Ø3,2			
	154210			#4-40	
	154209			M 3	
	154208		#4-40		
	* 154207		M 3		* Tray versiegelt tray sealed
Ident-Nr part-no. tape & reel	Ident-Nr part-no. tray	ohne without	Mutter thread	Bolzen bolt	Bemerkung remark



Verpackt in Tray  
Verpackungseinheit 24 St.  
tray packaging  
packaging unit 24 pcs

sonstige Angaben siehe 204629 / additional indications please see 204629

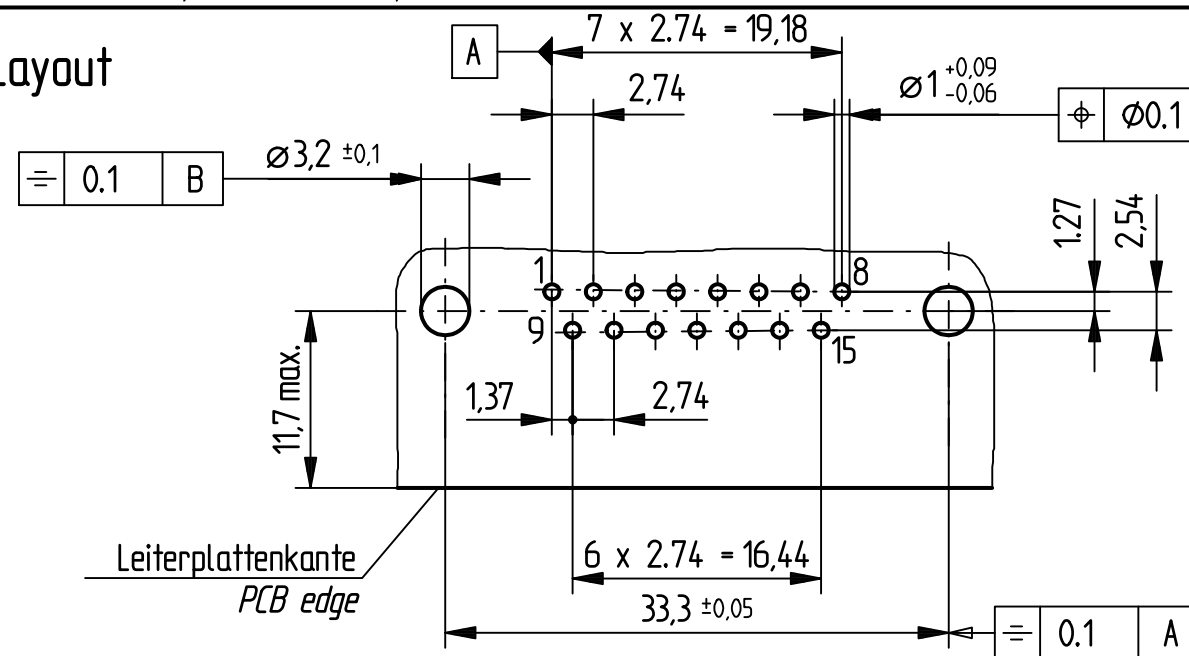


Verpackt in Gurt  
Verpackungseinheit 75 St.  
tape & reel packaging  
packaging unit 75 pcs

Abspulrichtung  
reel off direction

Sonstige Angaben siehe 204655 / Additional indications please see 204655

Layout



sonstige Angaben siehe 204626 / additional indications please see 204626

Fehlende Masse und Angaben siehe DIN 41652 / Missing information and dimensions according to DIN 41652

Sonstige Angaben siehe Fertigungsunterlagen / Additional indications please see the production documentation

Information:	Tolerances ISO 2768-m		Scale 2:1
All rights reserved. Only for information. To insure that this is the latest version of this drawing, please contact one of the ERNI companies before using.	Subject to modification without prior notice. Drawing will not be updated.	Designation <b>TMC-P 15-THR-Standard</b> <b>TMC-P 15-THR-Standard</b>	
	www.ERNI.com	<b>144860</b>	I
b Index	0054-11 Date	03.02.2011 Date	Wick Date
		V:00070485.SZA	TMCP

Consider protection memo from DIN 34

# Mouser Electronics

Authorized Distributor

Click to View Pricing, Inventory, Delivery & Lifecycle Information:

[ERNI Electronics:](#)

[154207](#)