

4

3

2

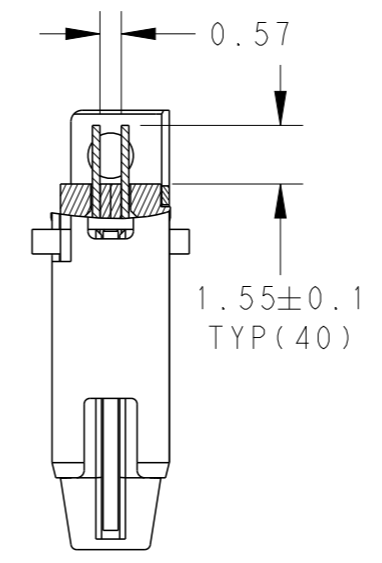
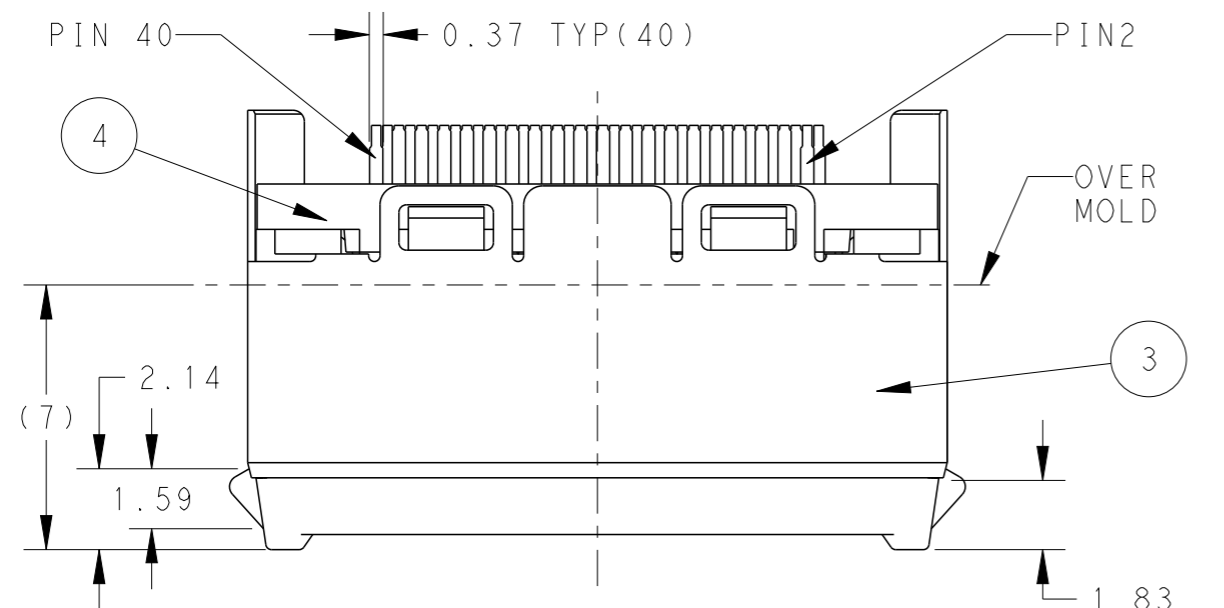
1

THIS DRAWING IS UNPUBLISHED. RELEASED FOR PUBLICATION 20
© COPYRIGHT 20 BY TYCO ELECTRONICS CORPORATION. ALL INTERNATIONAL RIGHTS RESERVED.

LOC DW DIST

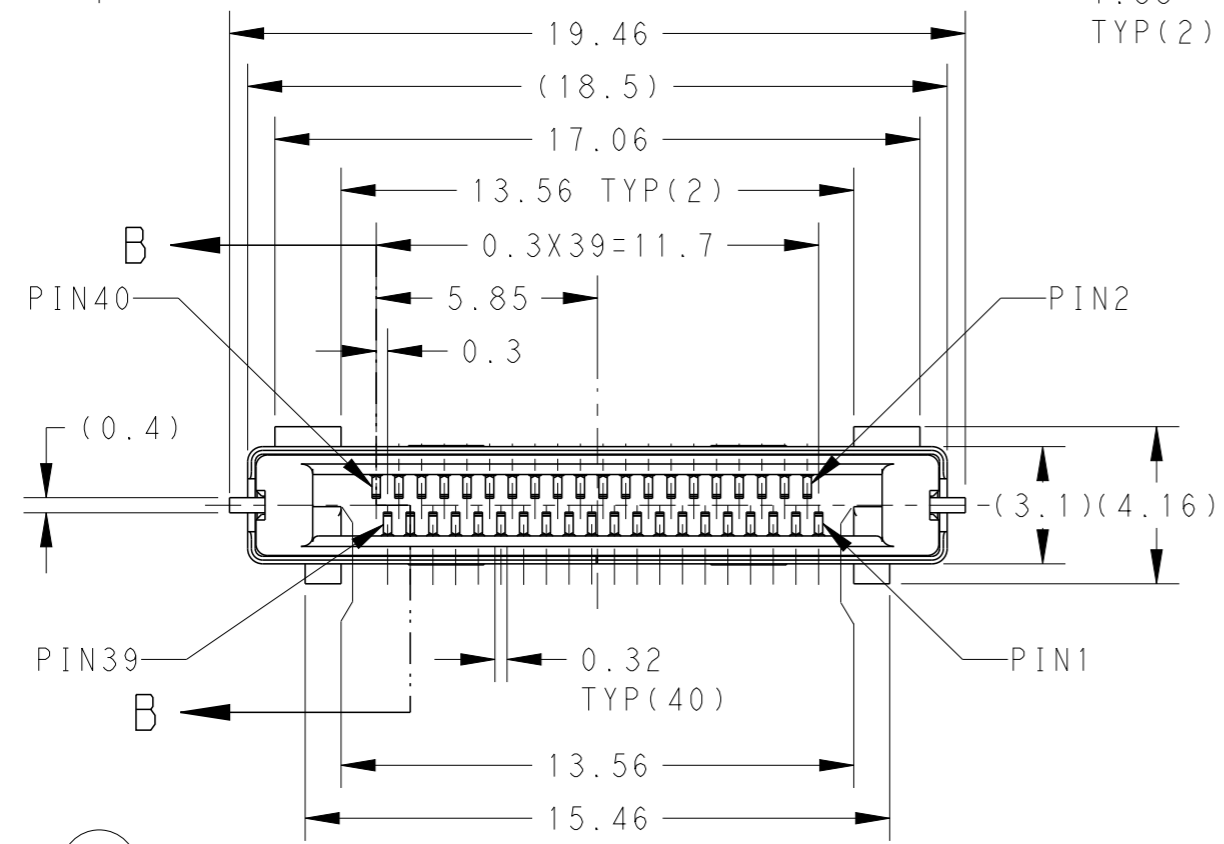
REVISIONS					
P	LTR	DESCRIPTION	DATE	DWN	APVD
	A	RELEASED	23FEB2011	S. Y	H. K
	A3	REVISED (ECR-11-016286)	21JUN2011	S. Y	H. K
	A5	REVISED (ECR-12-003398)	22FEB2012	S. Y	H. K

2129276-1: AS SHOWN



B-B

- ⚠ MATERIAL:
 - ①. HOUSING: THERMO-PLASTIC(UL94V-0,BLACK).
 - ②. CONTACT: COPPER ALLOY.
 - ③. SHELL: STAINLESS STEEL.
 - ④. COVER: THERMO-PLASTIC(UL94V-0,BLACK).
 - ⑤. LATCH: STAINLESS STEEL.
- ⚠ FINISH:
 - CONTACT: Ni UNDER PLATING OVERALL. Au PLATING ON CONTACT AREA OVERALL. Tin PLATING ON TINE AREA.
 - SHELL: Ni UNDER PLATING OVERALL.



⚠ DATE CODE: YY WW D **

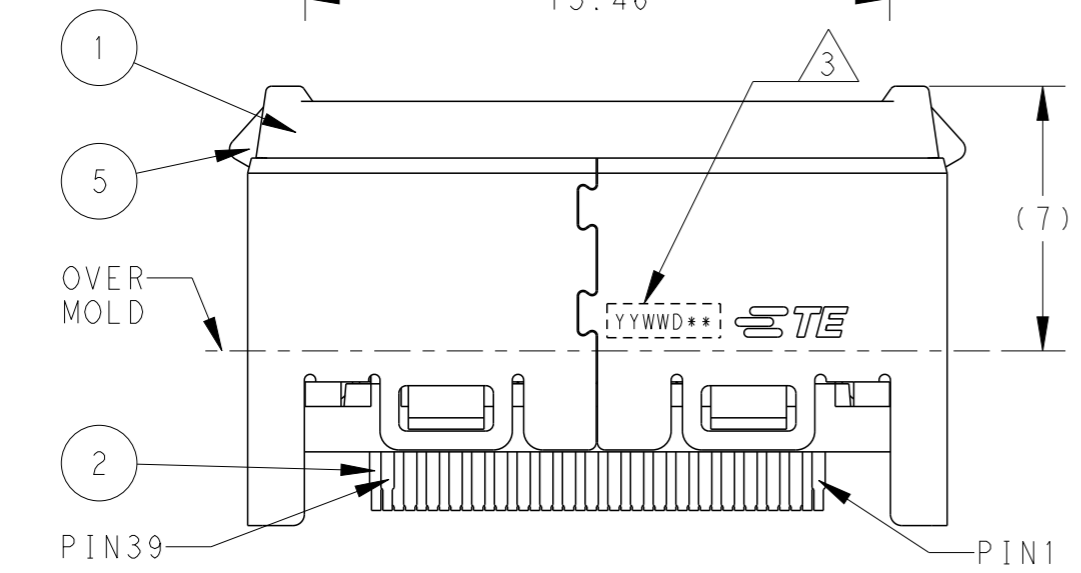
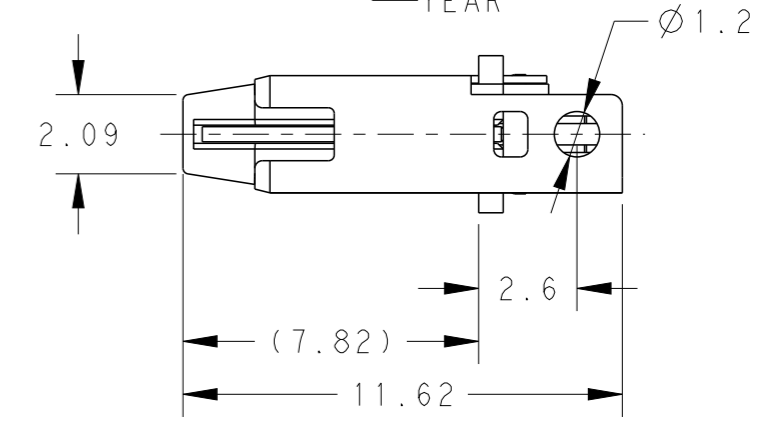
ASSY LINE NO. A,B,C,***

DAY SHIFT OR NIGHT SHIFT

DAY

WEEK

YEAR



DIMENSIONS: mm		TOLERANCES UNLESS OTHERWISE SPECIFIED:	
		0 PLC	±
		1 PLC	± ±0.25
		2 PLC	± ±3°
		3 PLC	±
		4 PLC	±
		ANGLES	±
MATERIAL		FINISH	

DWN S. YANG	29-Feb-12	Tyco Electronics Corporation Taipei, Taiwan	
CHK M. CHAO	29-Feb-12	NAME CABLE PLUG ASSY, 0.6MM PITCH CHAMP DOCKING CONNECTOR, 40 POS.	
APVD H. KODAMA	29-Feb-12	PRODUCT SPEC 108-99033	
APPLICATION SPEC		SIZE A3	CAGE CODE 00779
WEIGHT 1.03g		DRAWING NO. C-2129276	
CUSTOMER DRAWING		SCALE 5:1	SHEET 1 OF 2
		REV A5	

THIS DRAWING IS UNPUBLISHED.

RELEASED FOR PUBLICATION

20

© COPYRIGHT 20

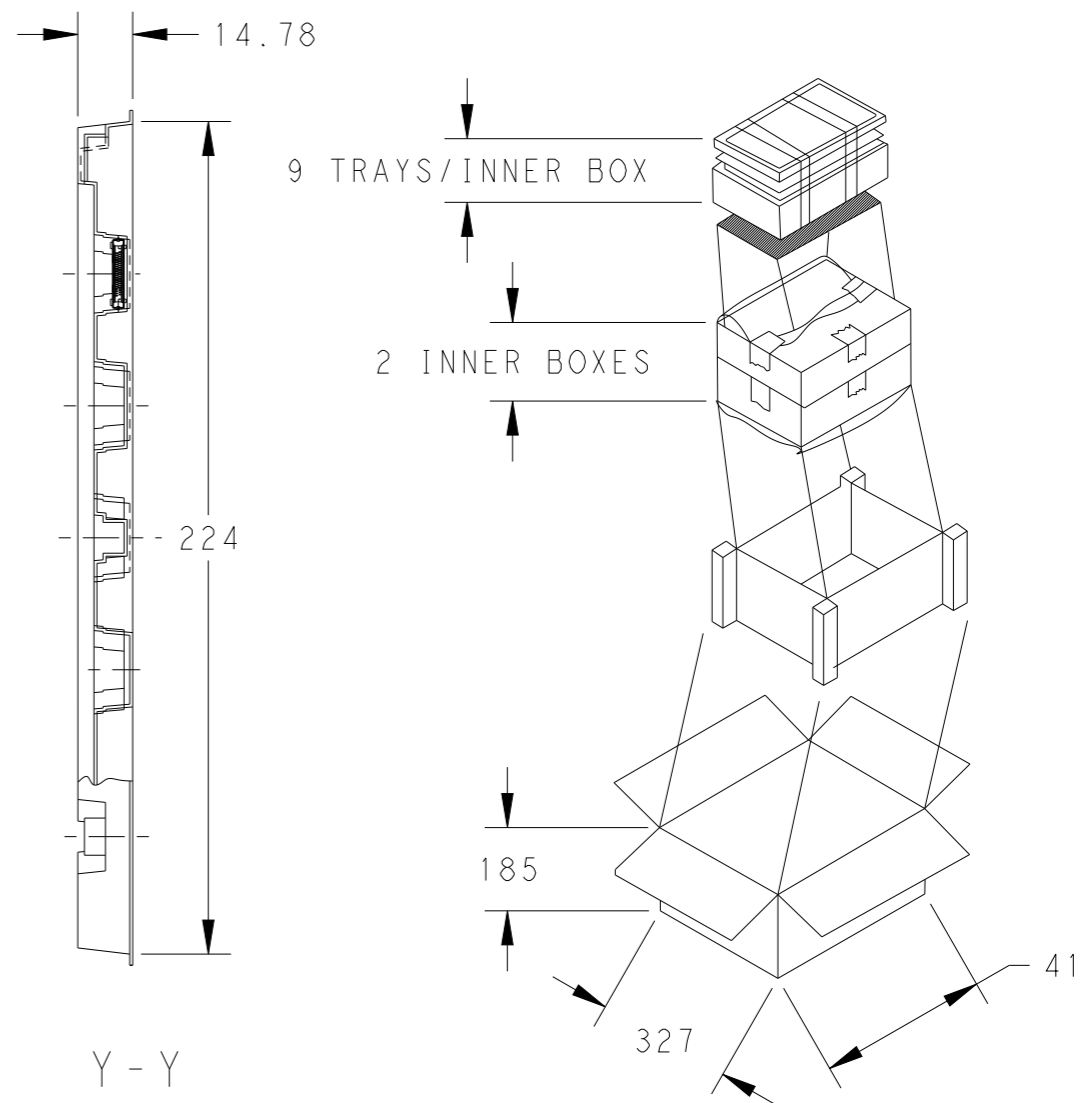
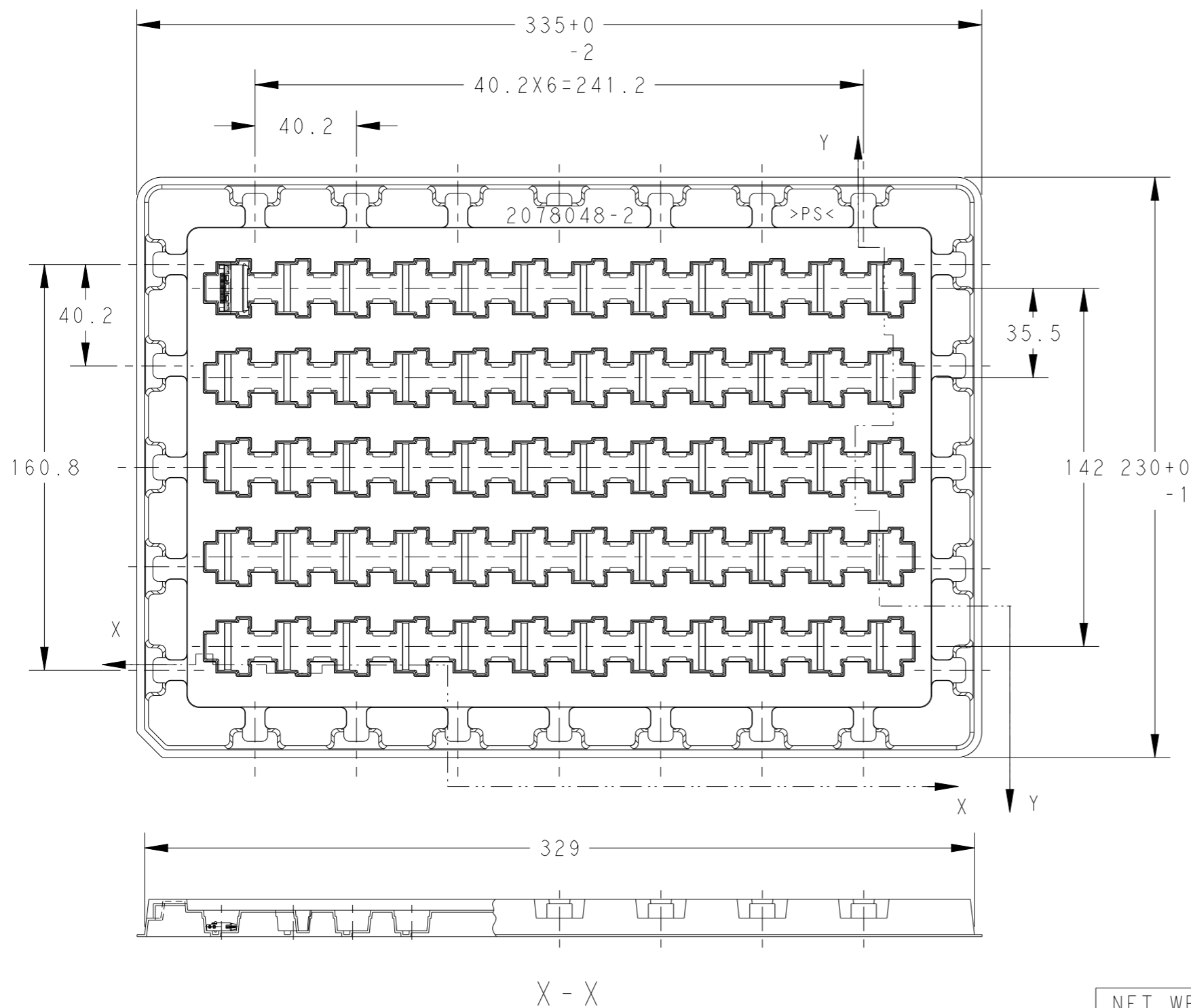
BY TYCO ELECTRONICS CORPORATION. ALL INTERNATIONAL RIGHTS RESERVED.

LOC
DW

DIST
-

REVISIONS

P	LTR	DESCRIPTION	DATE	DWN	APVD
-	-	SEE SHEET 1	-	-	-



NET WEIGHT	GROSS WEIGHT	QTY/TRAY	QTY/INNER BOX	QTY/BOX
1.11 KG	2.5 KG	60 PC	540 PC	1080 PC

<small>THIS DRAWING IS A CONTROLLED DOCUMENT FOR TYCO ELECTRONICS CORPORATION. IT IS SUBJECT TO CHANGE AND THE CONTROLLING ENGINEERING ORGANIZATION SHOULD BE CONTACTED FOR THE LATEST REVISION.</small>		DWN - CHK - APVD - PRODUCT SPEC - APPLICATION SPEC - WEIGHT 1.03g		Tyco Electronics Corporation Taipei, Taiwan	
DIMENSIONS: mm 		TOLERANCES UNLESS OTHERWISE SPECIFIED: 0 PLC ±- 1 PLC ±- ±2 2 PLC ±- ±5° 3 PLC ±- ±5° 4 PLC ±- ANGLES ±- MATERIAL - FINISH -		NAME CABLE PLUG ASSY, 0.6MM PITCH CHAMP DOCKING CONNECTOR, 40 POS.	
MATERIAL - FINISH -		SIZE A3		CAGE CODE 00779	
CUSTOMER DRAWING		DRAWING NO C-2129276		RESTRICTED TO -	
SCALE FREE		SHEET 2 OF 2		REV A5	

Mouser Electronics

Authorized Distributor

Click to View Pricing, Inventory, Delivery & Lifecycle Information:

[TE Connectivity:](#)

[2129276-1](#)