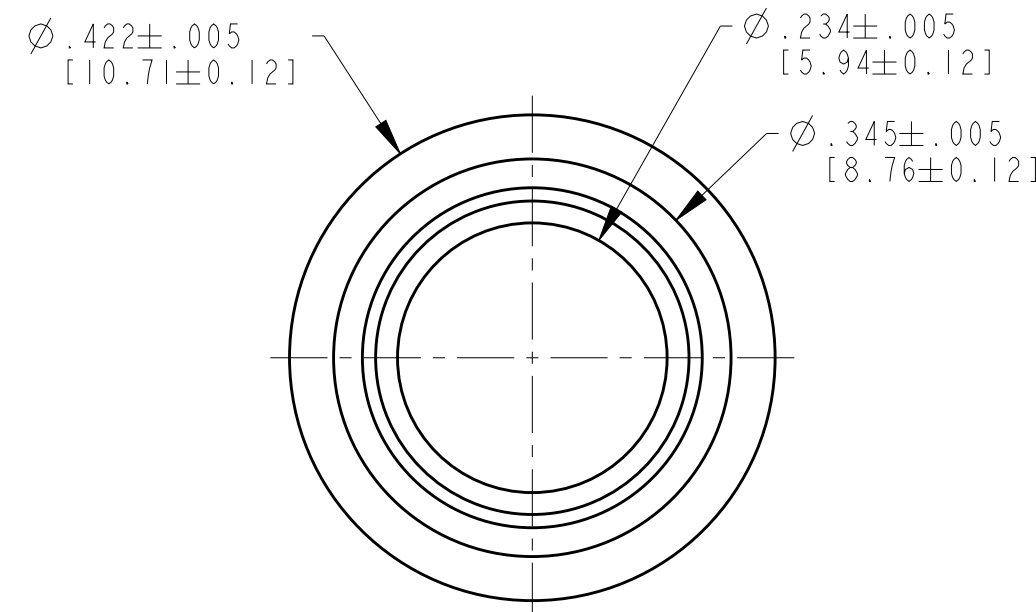
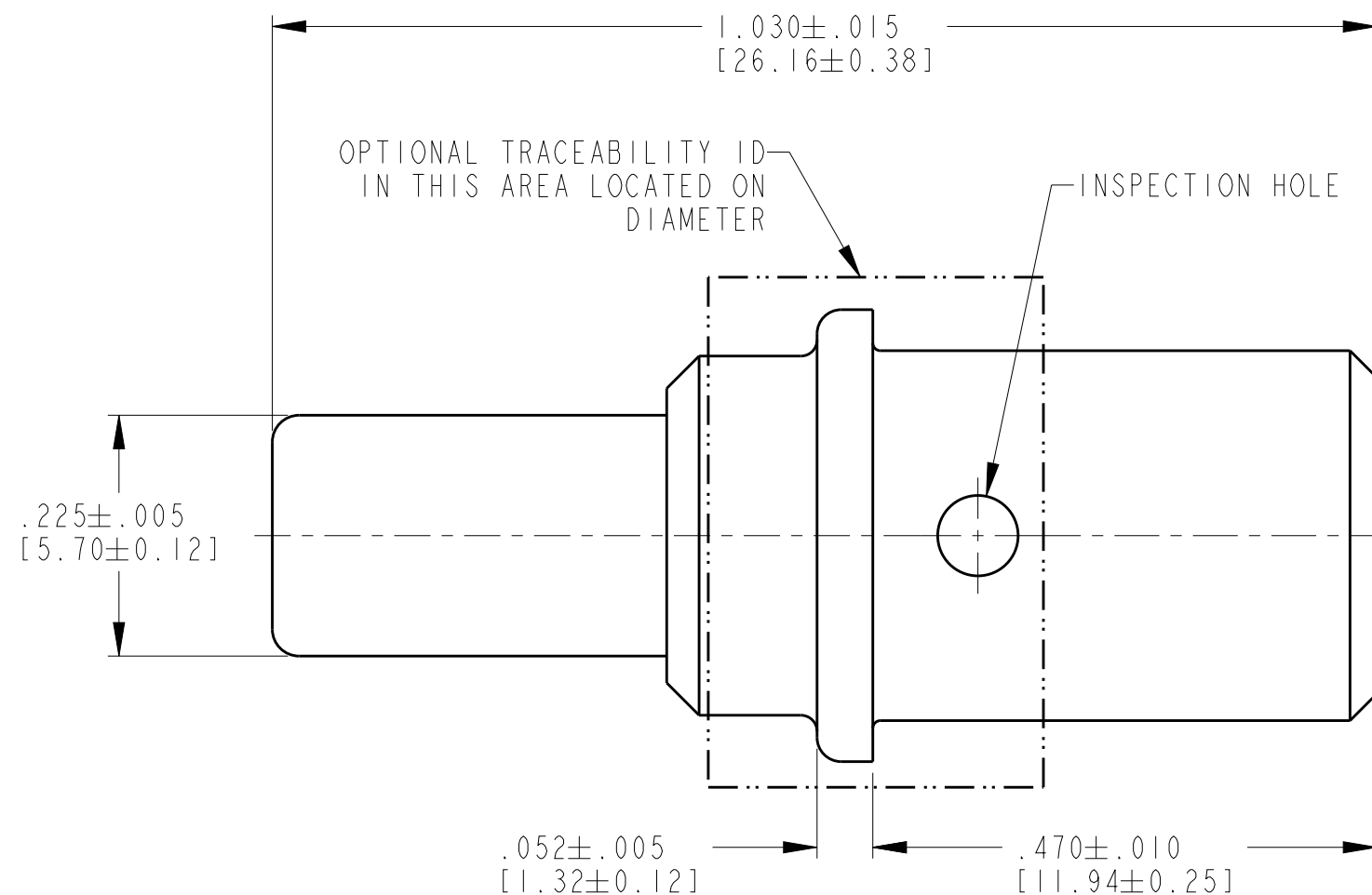


REVISIONS

P	LTR	DESCRIPTION	DATE	DWN	APVD
	A1	REVISED PER PCN E-17-016249	03NOV2017	JA	DM
	B	REVISED PER PCN E-18-012207	31JUL2018	JA	DM



TE INTERNAL PN	DEUTSCH PN	PLATING
0460-204-0490	0460-204-04141	NICKEL
0460-204-0431	0460-204-0431	GOLD

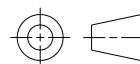
2. WIRE RANGE: 6 AWG [13.0 mm<sup>2</sup>].

1. THIS CONTACT MAY BE CRIMPED WITH HDP-400 POWER CRIMPER OR HDT-04-08 HAND TOOL.

NOTES: UNLESS OTHERWISE SPECIFIED

THIS DRAWING IS A CONTROLLED DOCUMENT.

DIMENSIONS:  
INCHES [mm]



TOLERANCES UNLESS OTHERWISE SPECIFIED:

0 PLC	±
1 PLC	±
2 PLC	±
3 PLC	±
4 PLC	±
ANGLES	±

MATERIAL

FINISH

DWN 29NOV2000

D. MEYER

CHK 18DEC2000

B. BYFORD

APVD 19DEC2000

R. REED

PRODUCT SPEC

0425-015-0000

APPLICATION SPEC

0425-205-0000

WEIGHT

8.33g

CUSTOMER DRAWING

**STE** TE Connectivity

NAME CONTACT PIN  
SIZE 4

SIZE	CAGE CODE	DRAWING NO	RESTRICTED TO
A3	4AFU8	0460-204-04XX	

SCALE 6:1 SHEET 1 OF 1 REV B