

THIS DRAWING IS UNPUBLISHED.

RELEASED FOR PUBLICATION

20

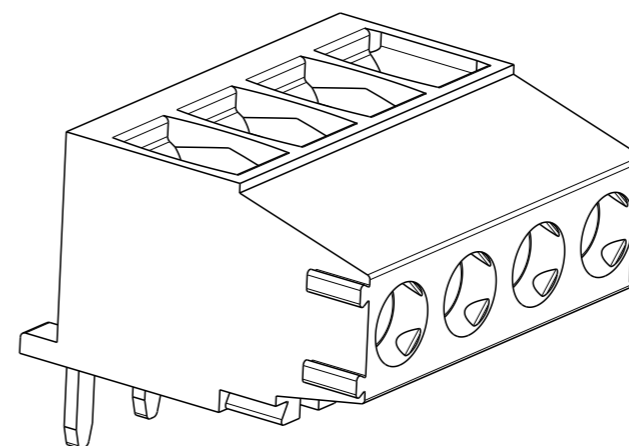
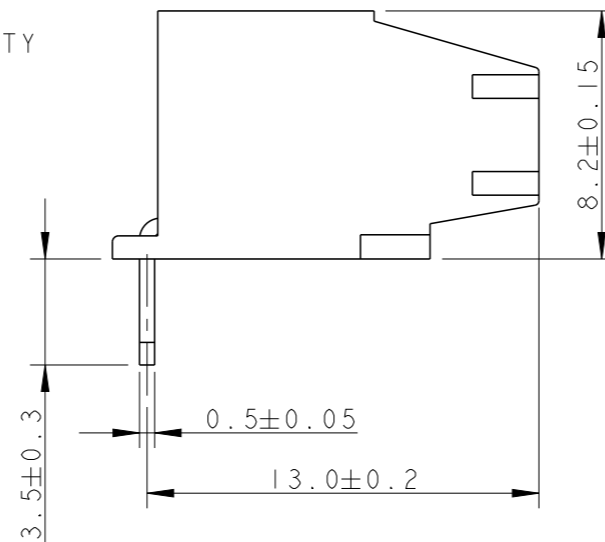
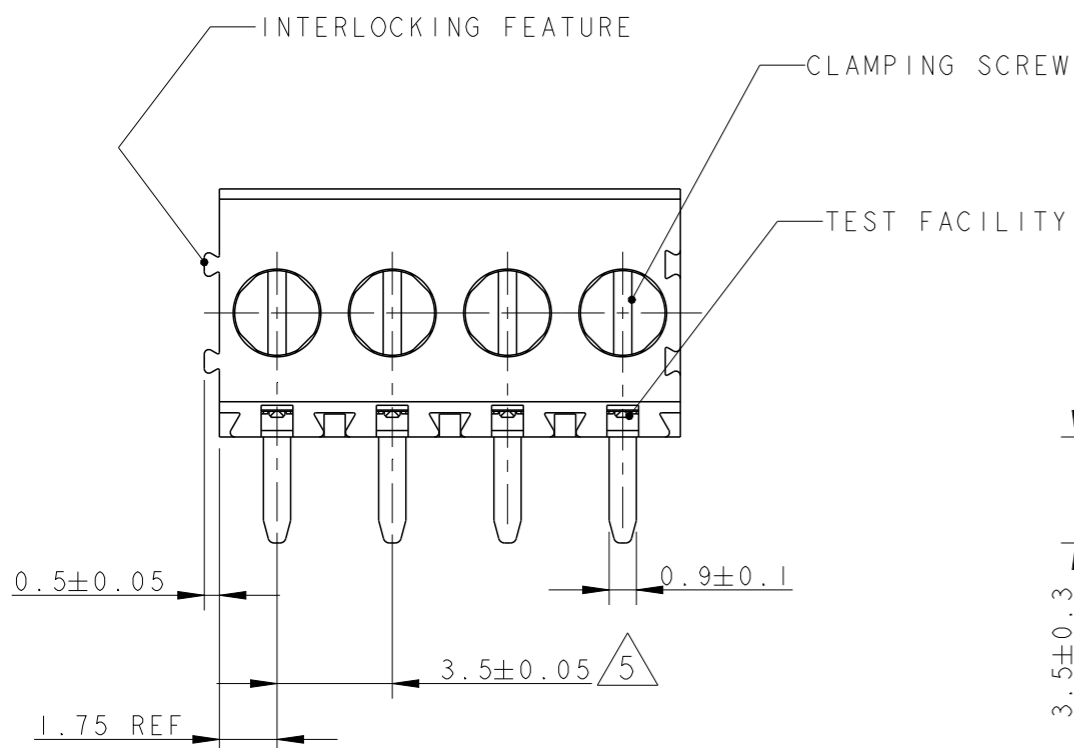
© COPYRIGHT 20

ALL RIGHTS RESERVED.

LOC	DIST
FT	0

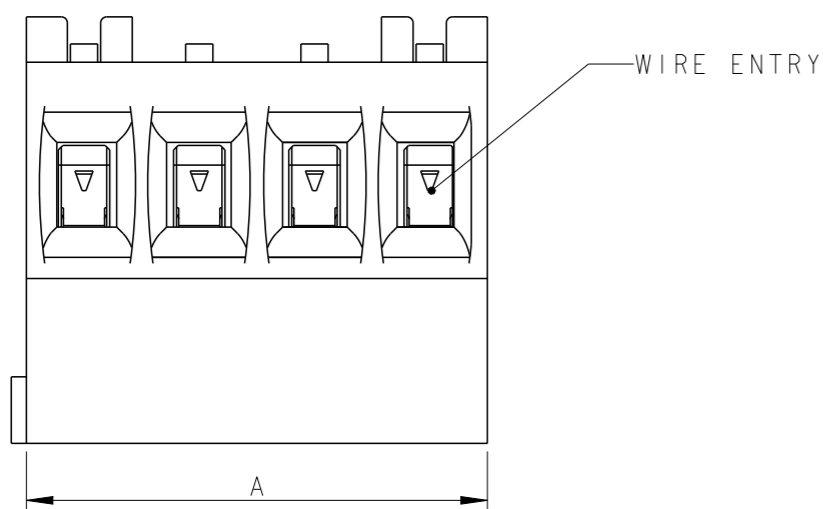
REVISIONS

P	LTR	DESCRIPTION	DATE	DWN	APVD
	B1	REVISED PER ECO-12-001398	23JAN12	KH	MS
	C	PACKAGING CHANGE FROM BOX TO TRAY	08SEP2017	FP	FP



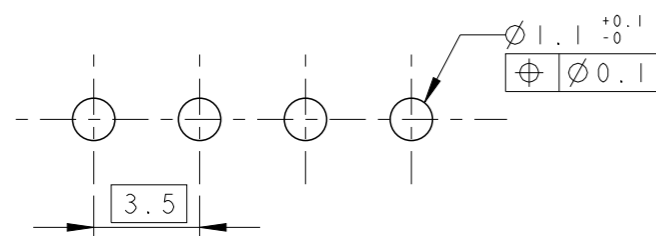
284414-4 AS SHOWN

87.5	25	2-284414-5
84.0	24	2-284414-4
80.5	23	2-284414-3
77.0	22	2-284414-2
73.5	21	2-284414-1
70.0	20	2-284414-0
66.5	19	1-284414-9
63.0	18	1-284414-8
59.5	17	1-284414-7
56.0	16	1-284414-6
52.5	15	1-284414-5
49.0	14	1-284414-4
45.5	13	1-284414-3
42.0	12	1-284414-2
38.5	11	1-284414-1
35.0	10	1-284414-0
31.5	9	284414-9
28.0	8	284414-8
24.5	7	284414-7
21.0	6	284414-6
17.5	5	284414-5
14.0	4	284414-4
10.5	3	284414-3
7.0	2	284414-2
DIM "A"	NO OF POS	PART NUMBER



- 1 MATERIALS AND FINISH
HOUSING : PA 6.6, UL 94-V0, COLOR GREEN.
CLAMP : BRASS, NICKEL PLATED
TERMINAL : BRASS, TIN PLATED
CLAMPING SCREW : M2, BRASS, NICKEL PLATED
- 2 SUITABLE FOR 1.6-2.4 mm. PC BOARD THICKNESS.
- 3 END-TO-END STACKABLE W/INTERLOCK WITHOUT LOSS OF CENTERLINE SPACING
- 4 WIRE SIZE RANGE
12 - 30 AWG
- 5 NOT CUMULATIVE TOLERANCE

RECOMMENDED PCB BOARD LAYOUT



THIS DRAWING IS A CONTROLLED DOCUMENT.

DIMENSIONS: mm	TOLERANCES UNLESS OTHERWISE SPECIFIED:
	0 PLC ±-
	1 PLC ±.3
	2 PLC ±.25
	3 PLC ±-
	4 PLC ±-
	ANGLES ±2
MATERIAL	FINISH

DWN	01FEB2002
E. ZANOLINI	
CHK	01FEB2002
E. ZANOLINI	
APVD	01FEB2002
D. BIEVENOUR	
PRODUCT SPEC	108-20166
APPLICATION SPEC	114-20079
WEIGHT	-
CUSTOMER DRAWING	



NAME
**TERMINAL BLOCK PCB MOUNT, 90 Deg
 TOP ENTRY WIRE, STACKING
 W/INTERLOCK, 3.5mm PITCH**

SIZE	CAGE CODE	DRAWING NO	RESTRICTED TO
A3	00779	C-284414	-
SCALE	SHEET	OF	REV
4:1	1	1	C

Mouser Electronics

Authorized Distributor

Click to View Pricing, Inventory, Delivery & Lifecycle Information:

[TE Connectivity:](#)

[284414-3](#)