

MICRO SWITCH

A DIVISION OF MINNEAPOLIS-HONEYWELL REGULATOR COMPANY
PROBOPORT, ILLINOIS

FED. MFR. CODE 91929

ACTUATOR - SWITCH

CATALOG LISTING

JX - 48

JX - 48

REPLACES

SR 10519

RELEASE NO.

M

DRAWING NUMBER

X

5

ISSUE

8

X

CHECK

DES 17 FEB 61

CHECK

DES 17 FEB 61

CHECK

DES 17 FEB 61

CHECK

DES 17 FEB 61

CHECK

DES 17 FEB 61

CHECK

DES 17 FEB 61

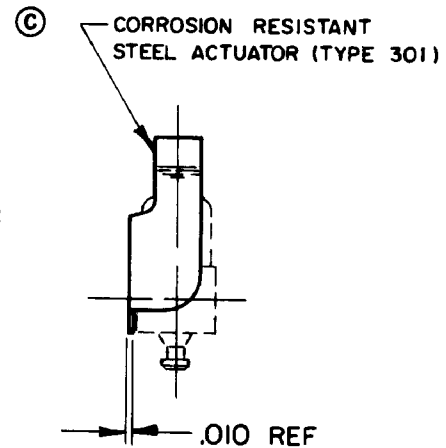
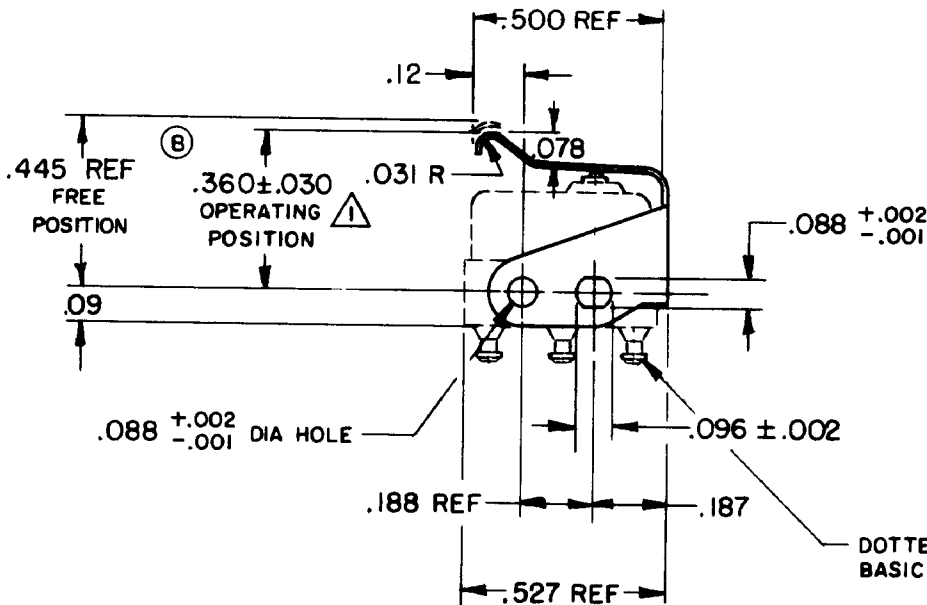
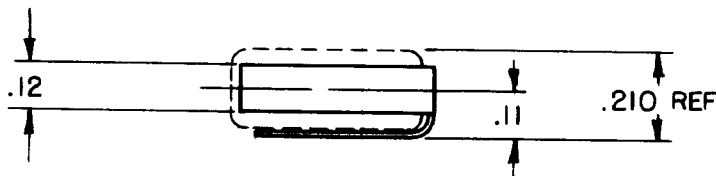
CHECK

DES 17 FEB 61

CHECK

DES 17 FEB 61

CHECK



DOTTED LINES INDICATE BASIC SWITCH IN PLACE

NOTE - **⚠** SLIGHT ROTATION BETWEEN BASIC AND ACTUATOR MAY BE NECESSARY TO OBTAIN OPERATING POSITION, BASED ON USING NO. 2-56 MACHINE SCREWS

THIS DRAWING COVERS A PROPRIETARY ITEM AND IS THE PROPERTY OF MICRO SWITCH, A DIVISION OF MINNEAPOLIS-HONEYWELL REGULATOR CO. THIS DRAWING IS NOT TO BE COPIED OR USED WITHOUT THE APPROVAL OF MICRO SWITCH.

CHARACTERISTICS WITH ISX1-T BASIC SWITCH INSTALLED

OPERATING FORCE	-----	10 OZ MAX
RELEASE FORCE	-----	2 OZ MIN
DIFFERENTIAL TRAVEL	-----	.025 MAX
OVERTRAVEL	-----	.015 MIN

ELECTRICAL DATA

CONTACT ARRANGEMENT	BREAK DISTANCE
---------------------	----------------

SCALE 2 TO 1		
DO NOT SCALE PRINT		
UNLESS OTHERWISE SPECIFIED		
DIMENSIONS ARE IN INCHES		
TOLERANCES ARE:		
ONE PLACE	(.0)	±.030
TWO PLACE	(.00)	±.015
THREE PLACE	(.000)	±.008
ANGLES		±
WEIGHT		

REVISIONS

A	SR 10519	M B F	1 OCT 62
B	CO 22579	O M W	1 MAY 67
C	CO 22579	M B S	19 APR 68
D	CO 82928	DLT	13 MAY 68

FO-50378

DRAWN

K L B

17 FEB 61

Mouser Electronics

Authorized Distributor

Click to View Pricing, Inventory, Delivery & Lifecycle Information:

[Honeywell:](#)

[JX-48](#)