

THIS DRAWING IS UNPUBLISHED. RELEASED FOR PUBLICATION
 © COPYRIGHT - By - ALL RIGHTS RESERVED.


REVISIONS					
P	LTR	DESCRIPTION	DATE	DWN	APVD
-	-	SEE SHEET 1	-	-	-

SELECT LOAD CHART

OBSOLETE	9,10	1-8	1-8	9,10	9,10	-	1-8	-	-	10	SSB7N2030	5-1546963-8
	1-8	9,10	-	-	2,5,6,10	-	1,7	-	-	10	SSB7N2025	4-1546963-3
ALL	ALL	2,3,4	-	-	-	-	-	-	-	7	SSB7N2019	3-1546963-8
ALL	ALL	3,4	-	-	-	-	-	-	-	7	SSB7N2017	3-1546963-2
-	-	ALL	-	-	-	-	2,4	-	-	6	SSB7N2016	3-1546963-1
-	1,3,5,7	-	-	-	1	-	-	-	-	4	SSB7CG04032224	4-1546963-9
	.250 QC TAB 90° BEND SGL SIDED	.250 QC TAB 90° BEND DBL SIDED	.250 QC TAB STRAIGHT DBL SIDED	.250 QC TAB STRAIGHT SGL SIDED	.250 QC TAB 45° BEND SGL SIDED	.187 QC TAB STRAIGHT SGL SIDED	.250 QC TAB 45° BEND DBL SIDED	.187 QC TAB 45° BEND SGL SIDED	.187 QC TAB 90° BEND SGL SIDED	NO. OF POS.	CATALOG NUMBER	PART NUMBER
	⑩	⑨	⑧	⑦	⑥	⑤	④	③	②	POSITIONS LOADED		

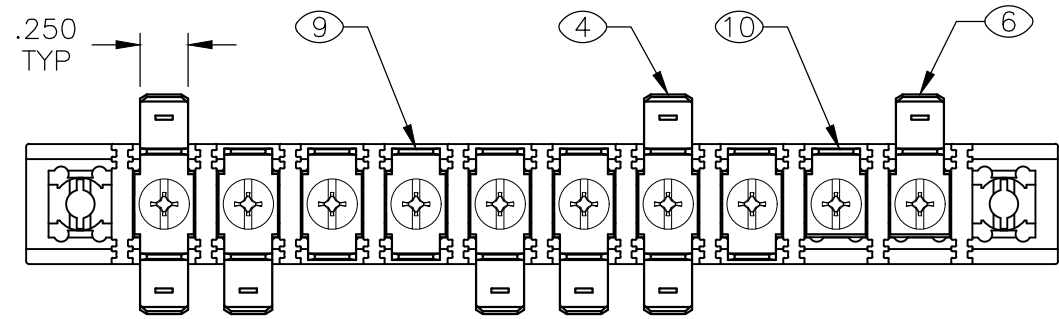
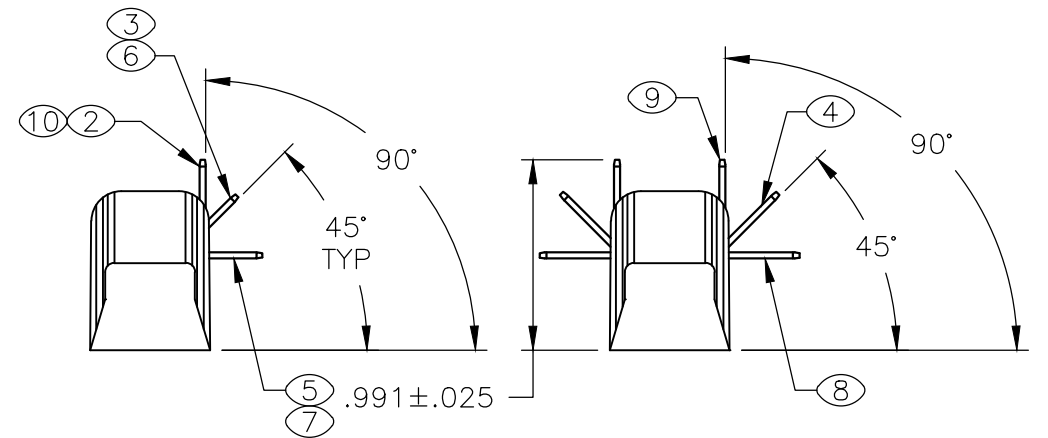
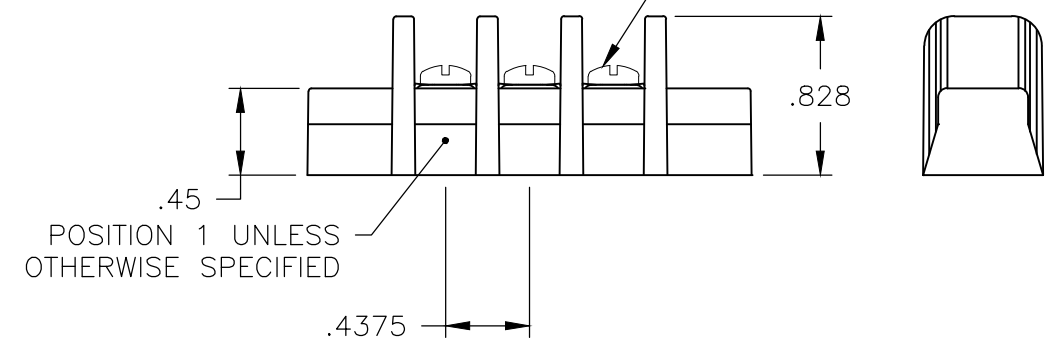
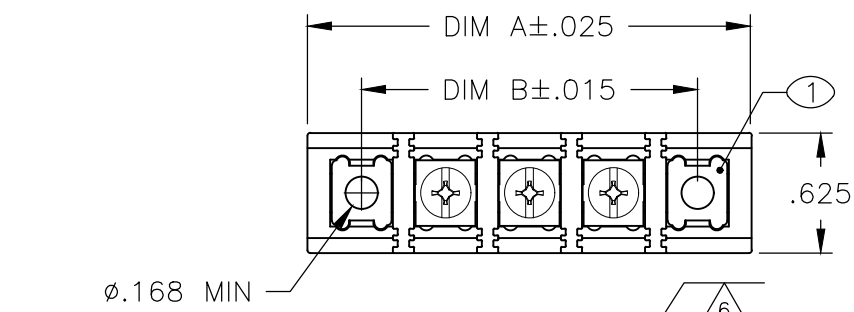
△3	OBSOLETE	-1.750	2.312				2						2			YES	3	SSB7CG030328-SPL	6	1546963	3
	OBSOLETE	11.375	11.937													YES	25	SSB70G250301	2	1546963	5
	OBSOLETE	10.937	11.500													YES	24	SSB70G240301	2	1546963	4
	OBSOLETE	10.500	11.062													YES	23	SSB70G230301	2	1546963	3
	OBSOLETE	10.062	10.625													YES	22	SSB70G220304	6	1546963	1
	OBSOLETE	10.062	10.625													YES	22	SSB70G220301	2	1546963	2
	OBSOLETE	-9.625	10.187													YES	21	SSB70G210301	2	1546963	1
	OBSOLETE	-9.187	9.750													YES	20	SSB70G200301	2	1546963	0
	OBSOLETE	-8.750	9.312													YES	19	SSB7CG190301	1	1546963	9
	OBSOLETE	-8.313	8.875													YES	18	SSB7CG180301	1	1546963	8
	OBSOLETE	-7.875	8.437													YES	17	SSB7CG170301	1	1546963	7
	OBSOLETE	-7.437	8.000													YES	16	SSB7CG160301	1	1546963	6
	OBSOLETE	-7.000	7.562													YES	15	SSB7CG150301	1	1546963	5
△1	△3	OBSOLETE	-6.562	7.125			14						14			YES	14	SSB7N2020	3	1546963	4
	OBSOLETE	-6.562	7.125													YES	14	SSB7CG140301	7	1437415	6
	OBSOLETE	-6.125	6.687													YES	13	SSB7CG130301	1	1546963	3
	OBSOLETE	-5.687	6.250													YES	12	SSB7CG120301	1	1546963	2
△3	OBSOLETE	-5.250	5.812					11	11							YES	11	SSB7CG110329	1	1546963	6
	OBSOLETE	-5.250	5.812													YES	11	SSB7CG110301	1	1546963	1
△3	OBSOLETE	-4.812	5.375			2	8	8	2	2			8			YES	10	SSB7N2030	5	1546963	8
△3	OBSOLETE	-4.812	5.375			2	8			4			2			NO	10	SSB7N2025	4	1546963	3
	OBSOLETE	-4.812	5.375													YES	10	SSB7CG100301	1	1546963	0
		DIM B	DIM A	JUMPER	.250 QC TAB 90° BEND DBL SIDED	.250 QC TAB 90° BEND SGL SIDED	.250 QC TAB 90° BEND DBL SIDED	.250 QC TAB STRAIGHT DBL SIDED	.250 QC TAB STRAIGHT SGL SIDED	.250 QC TAB 45° BEND SGL SIDED	.187 QC TAB STRAIGHT SGL SIDED	.250 QC TAB 45° BEND DBL SIDED	.187 QC TAB 45° BEND SGL SIDED	.187 QC TAB 90° BEND SGL SIDED	SSB7 BUSHING	NO. OF POS.	CATALOG NUMBER	PART NUMBER			
					⑭	⑩	⑨	⑧	⑦	⑥	⑤	④	③	②	①						

QUANTITIES

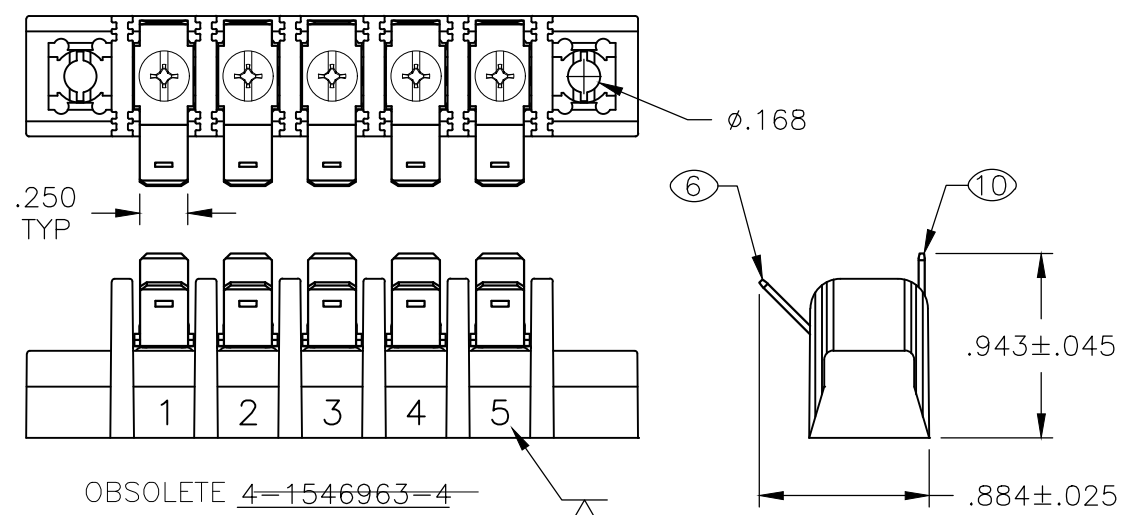
THIS DRAWING IS A CONTROLLED DOCUMENT.		DWN	S SCHLGE	3/5/04	 TE Connectivity Ltd.
DIMENSIONS: INCHES		CHK	S YODER	3/5/04	
TOLERANCES UNLESS OTHERWISE SPECIFIED:		APVD	S YODER	3/5/04	
0 PLC ± - 1 PLC ± - 2 PLC ± .02 3 PLC ± .010 4 PLC ± - ANGLES ± 3°		PRODUCT SPEC	NAME		
MATERIAL	FINISH	WEIGHT	-		SSB7CGXX0301
CUSTOMER DRAWING		SCALE	A2 00779		RESTRICTED TO
		SHEET	2 of 4		REV R1

THIS DRAWING IS UNPUBLISHED. RELEASED FOR PUBLICATION
 © COPYRIGHT - By - ALL RIGHTS RESERVED.

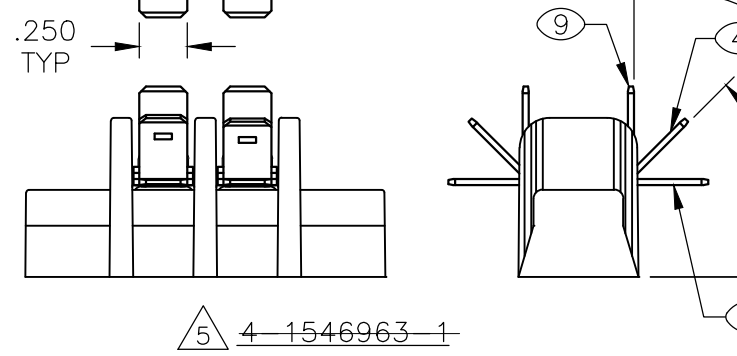
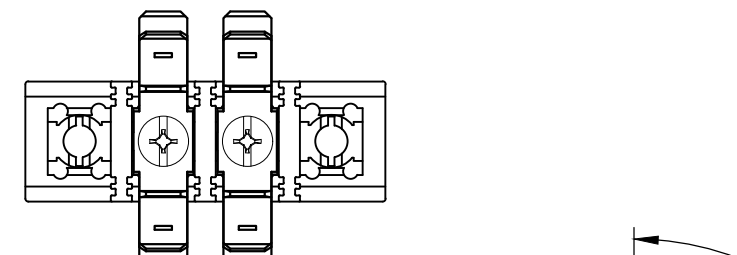
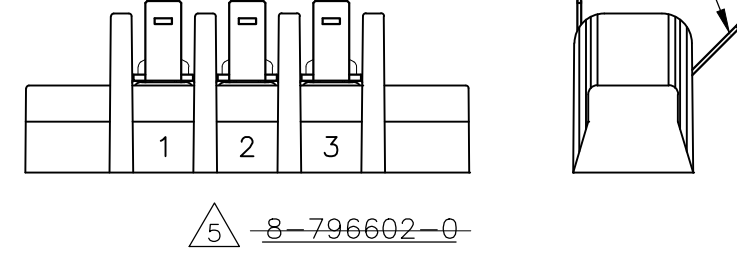
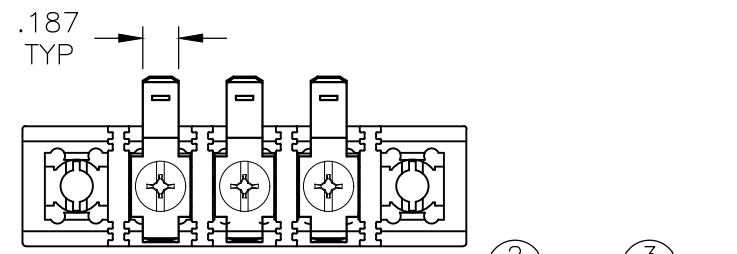
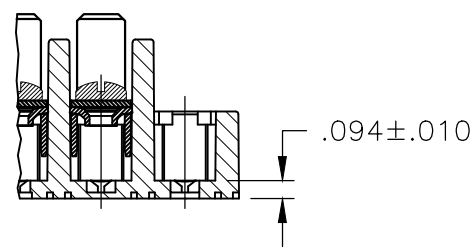
REVISIONS				
P	LTR	DESCRIPTION	DATE	APVD
-	-	SEE SHEET 1	-	-



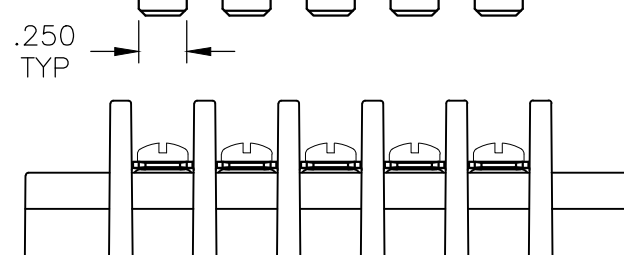
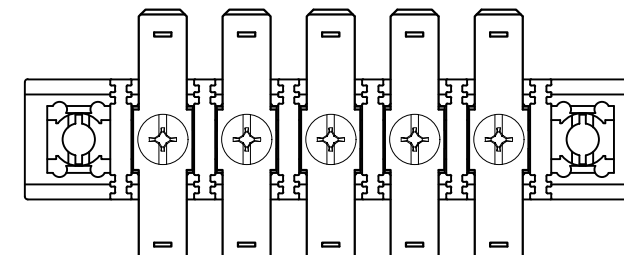
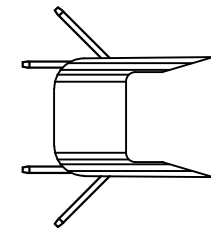
~~4-1546963-3~~ OBSOLETE



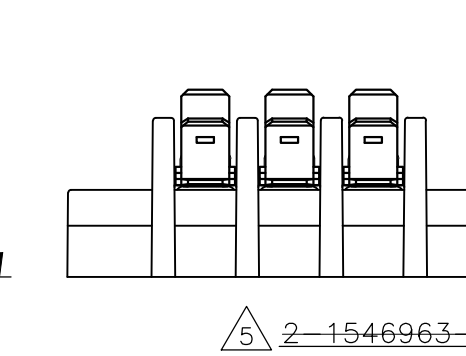
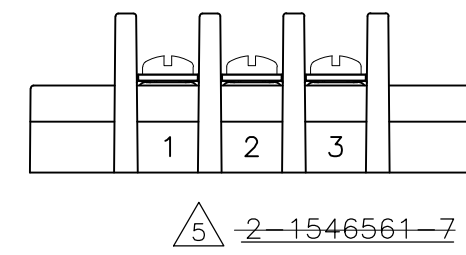
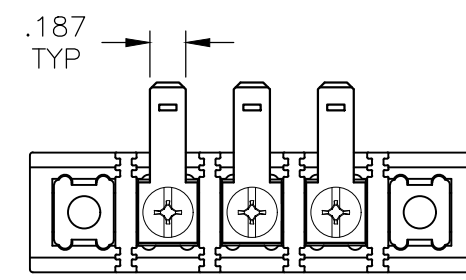
OBSOLETE ~~4-1546963-4~~



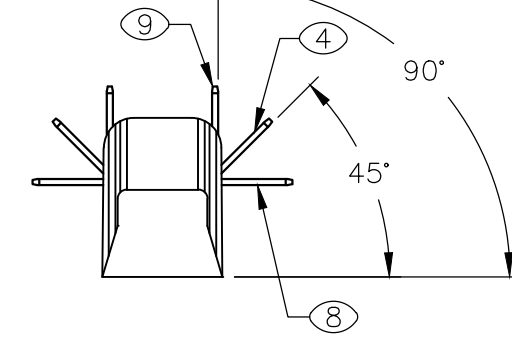
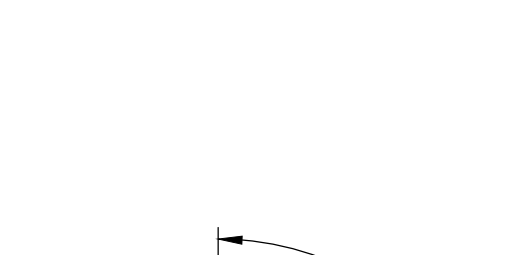
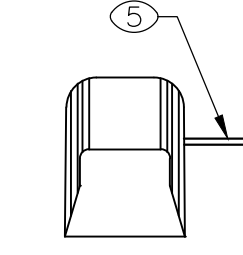
~~5-4-1546963-1~~



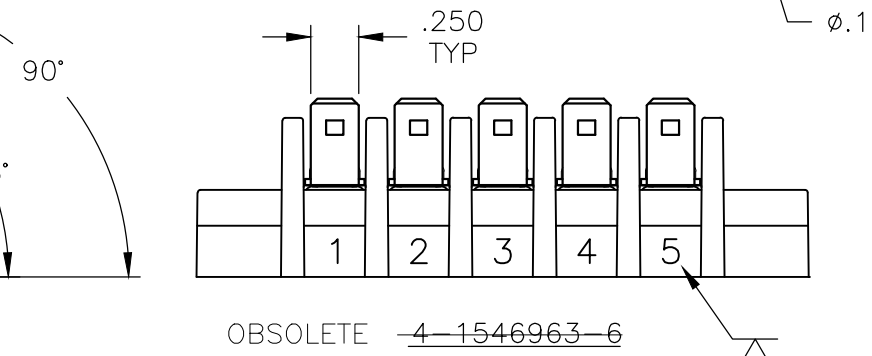
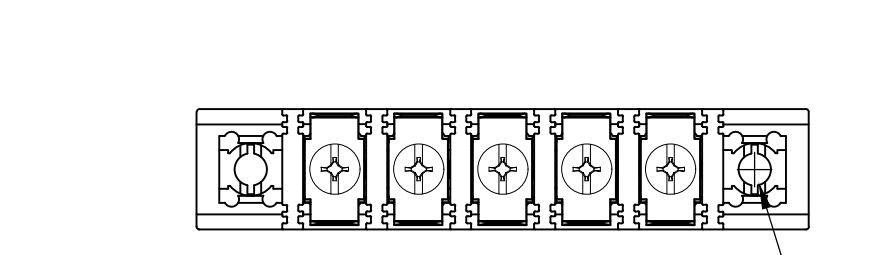
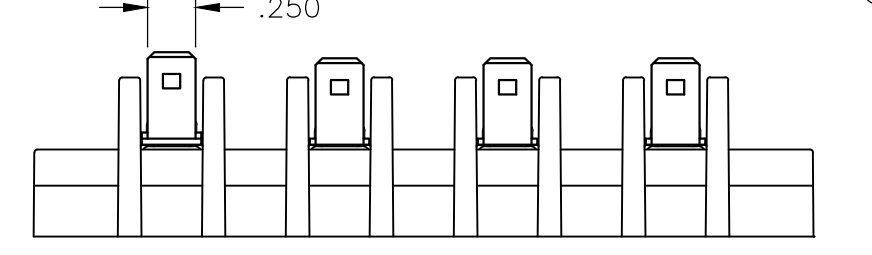
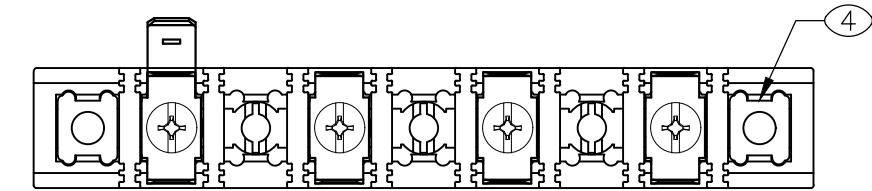
~~5-1546963-2~~ OBSOLETE



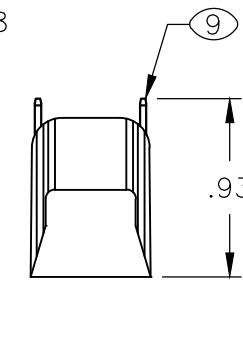
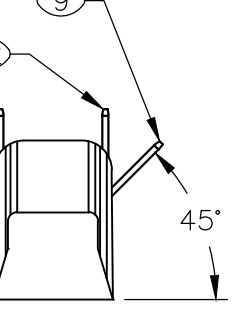
~~5-2-1546561-7~~



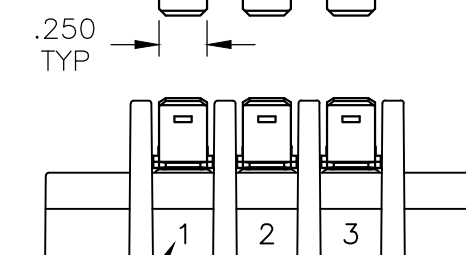
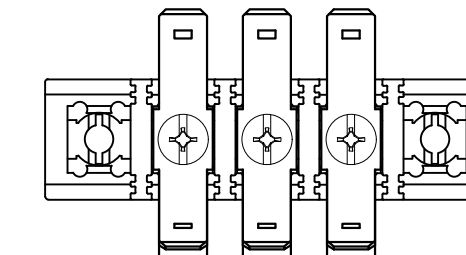
~~5-2-1546963-9~~



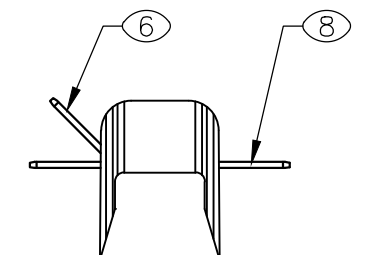
OBSOLETE ~~4-1546963-6~~



~~2~~



~~5-1546963-6~~ OBSOLETE

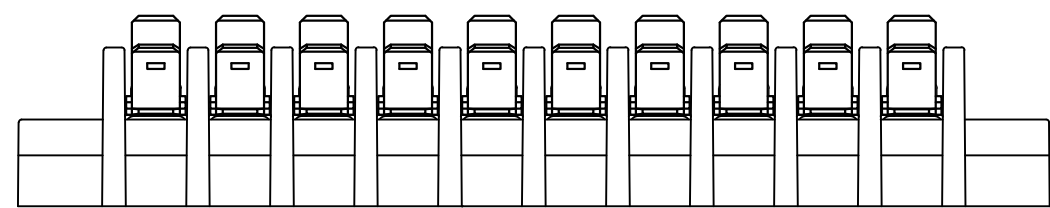
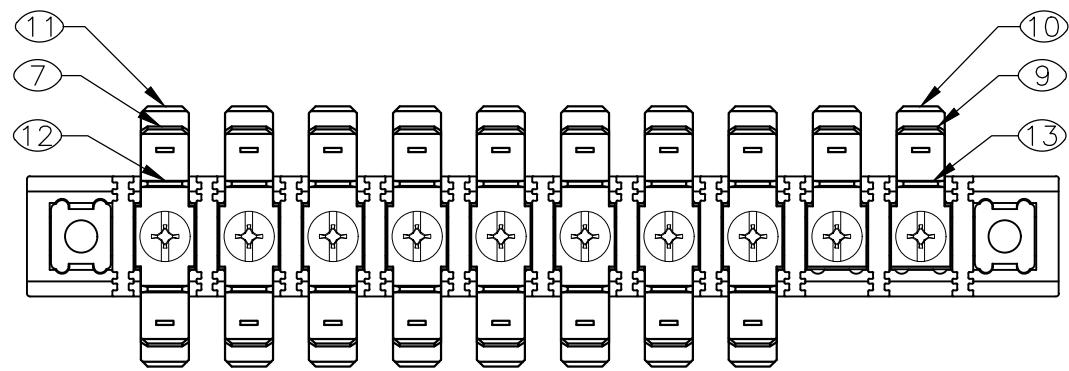


~~2~~

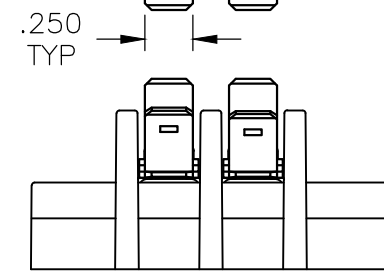
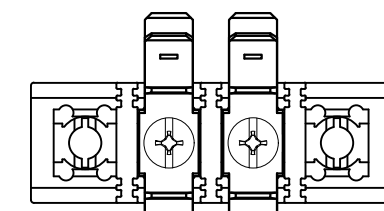
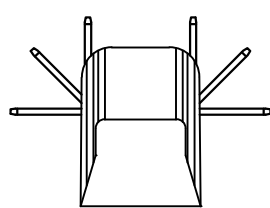
THIS DRAWING IS A CONTROLLED DOCUMENT.		DWN S SCHLGE	3/5/04	TE Connectivity Ltd.	
DIMENSIONS: INCHES		CHK S YODER	3/5/04		
TOLERANCES UNLESS OTHERWISE SPECIFIED:		APVD S YODER	3/5/04	NAME	
0 PLC ± - 1 PLC ± - 2 PLC ± .02 3 PLC ± .010 4 PLC ± - ANGLES ± 3°		PRODUCT SPEC		SSB7CGXX0301	
MATERIAL		APPLICATION SPEC		SIZE	RESTRICTED TO
FINISH		WEIGHT		A2	-
-		CUSTOMER DRAWING		CAGE CODE	DRAWING NO
-		SCALE		00779	8-796602-0
-		SHEET		3	4
-		REV		R1	

THIS DRAWING IS UNPUBLISHED. RELEASED FOR PUBLICATION
 © COPYRIGHT - By - ALL RIGHTS RESERVED.

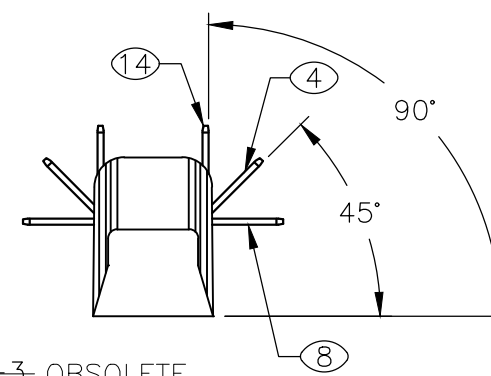
REVISIONS				
P	LTR	DESCRIPTION	DATE	APVD
-	-	SEE SHEET 1	-	-



~~5-1546963-8~~ OBSOLETE



~~6-1546963-3~~ OBSOLETE



THIS DRAWING IS A CONTROLLED DOCUMENT.		DWN	S SCHLDEL	3/5/04	 TE Connectivity Ltd.
DIMENSIONS: INCHES		CHK	S YODER	3/5/04	
TOLERANCES UNLESS OTHERWISE SPECIFIED:		APVD	S YODER	3/5/04	
0 PLC ± - 1 PLC ± - 2 PLC ± .02 3 PLC ± .010 4 PLC ± - ANGLES ± 3°		PRODUCT SPEC	NAME		
MATERIAL		FINISH		WEIGHT	SSB7CGXX0301
-		-		-	SIZE
		CUSTOMER DRAWING		SCALE	A2 00779
				RESTRICTED TO	C=8-796602-0
				SCALE	NTS
				SHEET	4 OF 4
				REV	R1

Mouser Electronics

Authorized Distributor

Click to View Pricing, Inventory, Delivery & Lifecycle Information:

[TE Connectivity:](#)

[4-1546963-5](#)