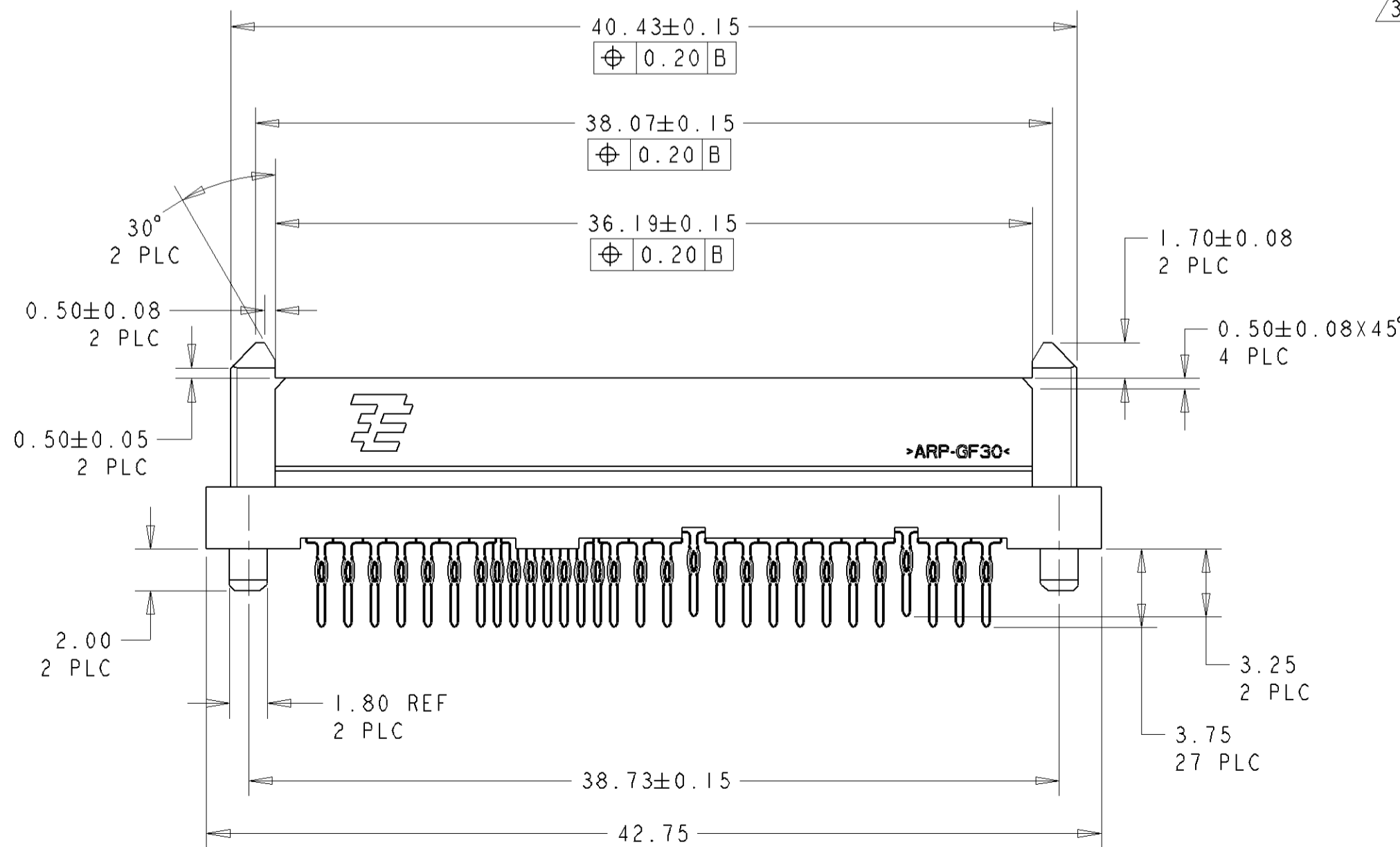
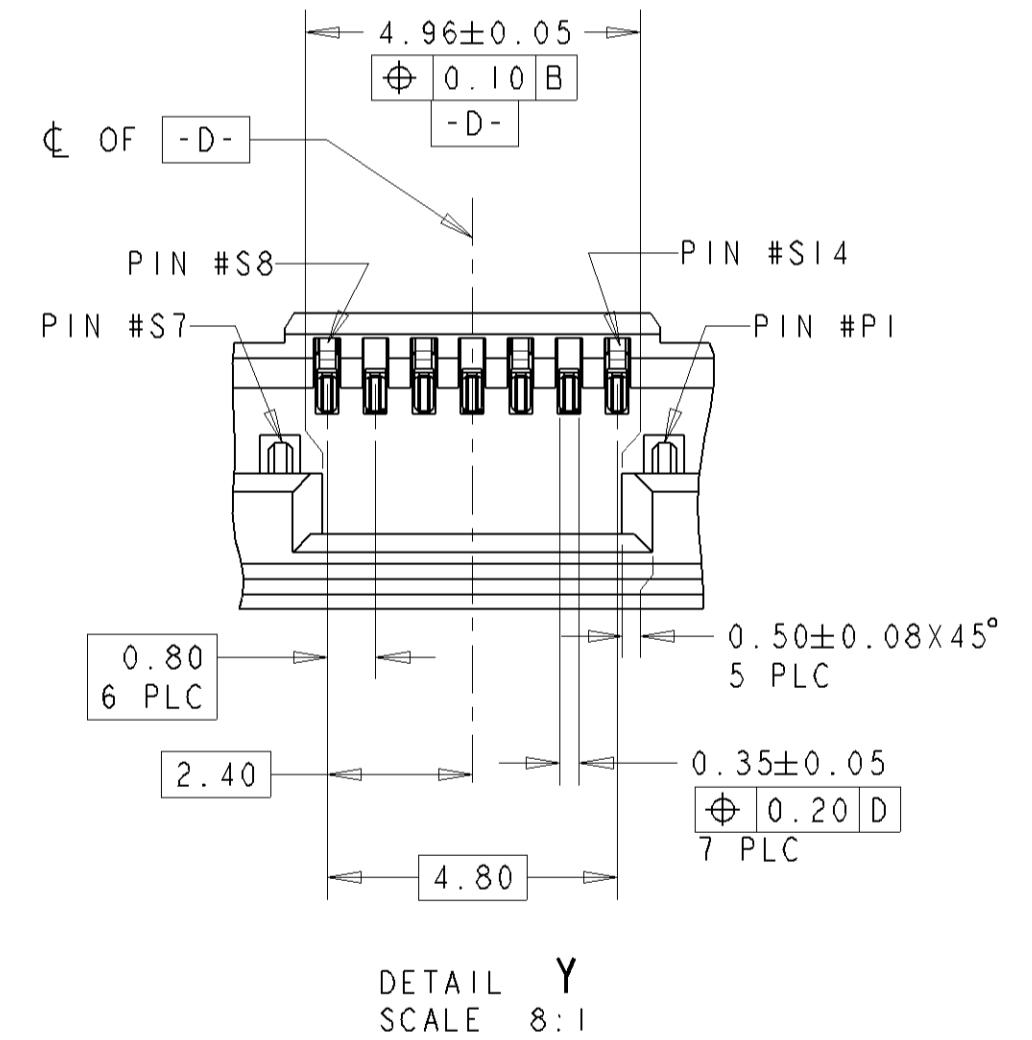
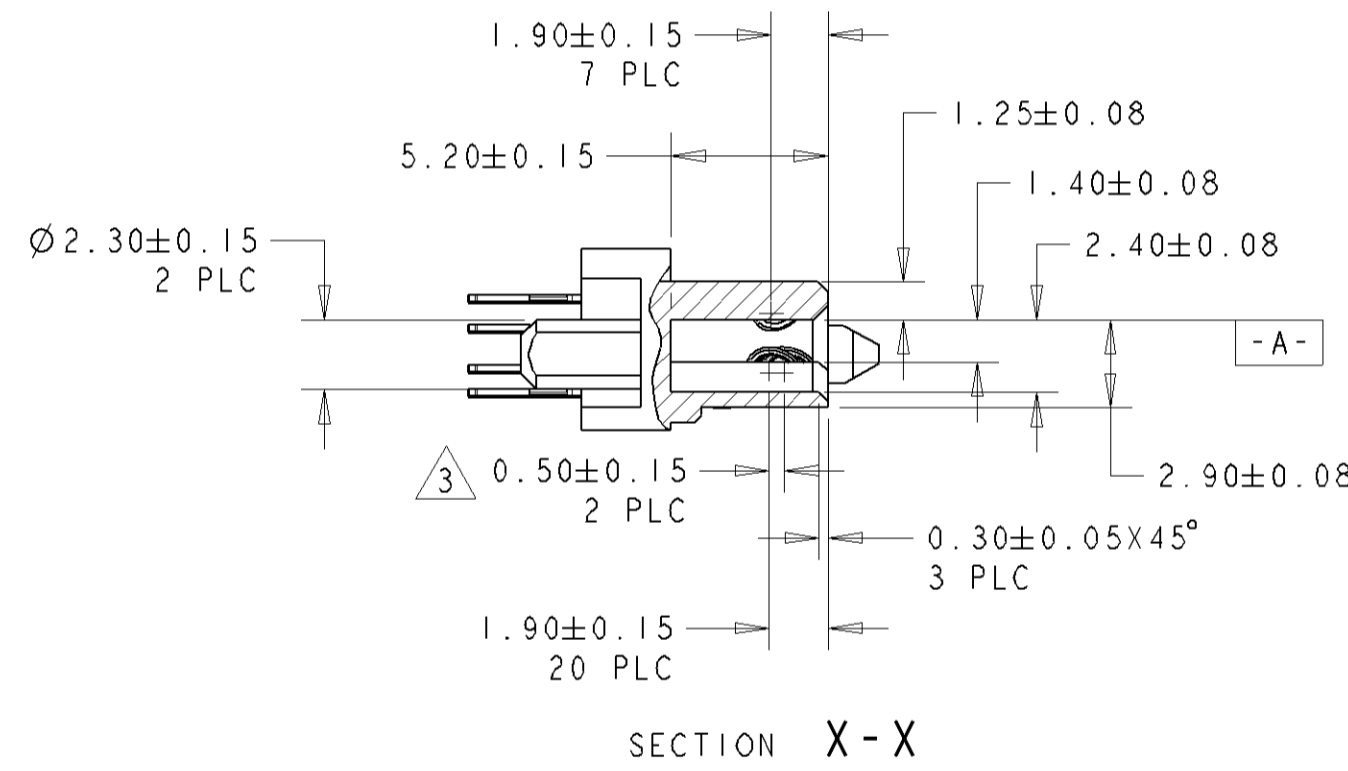
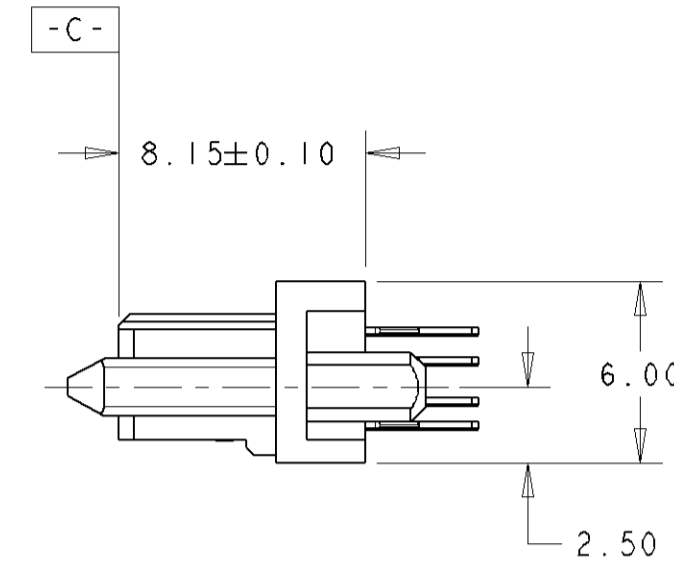
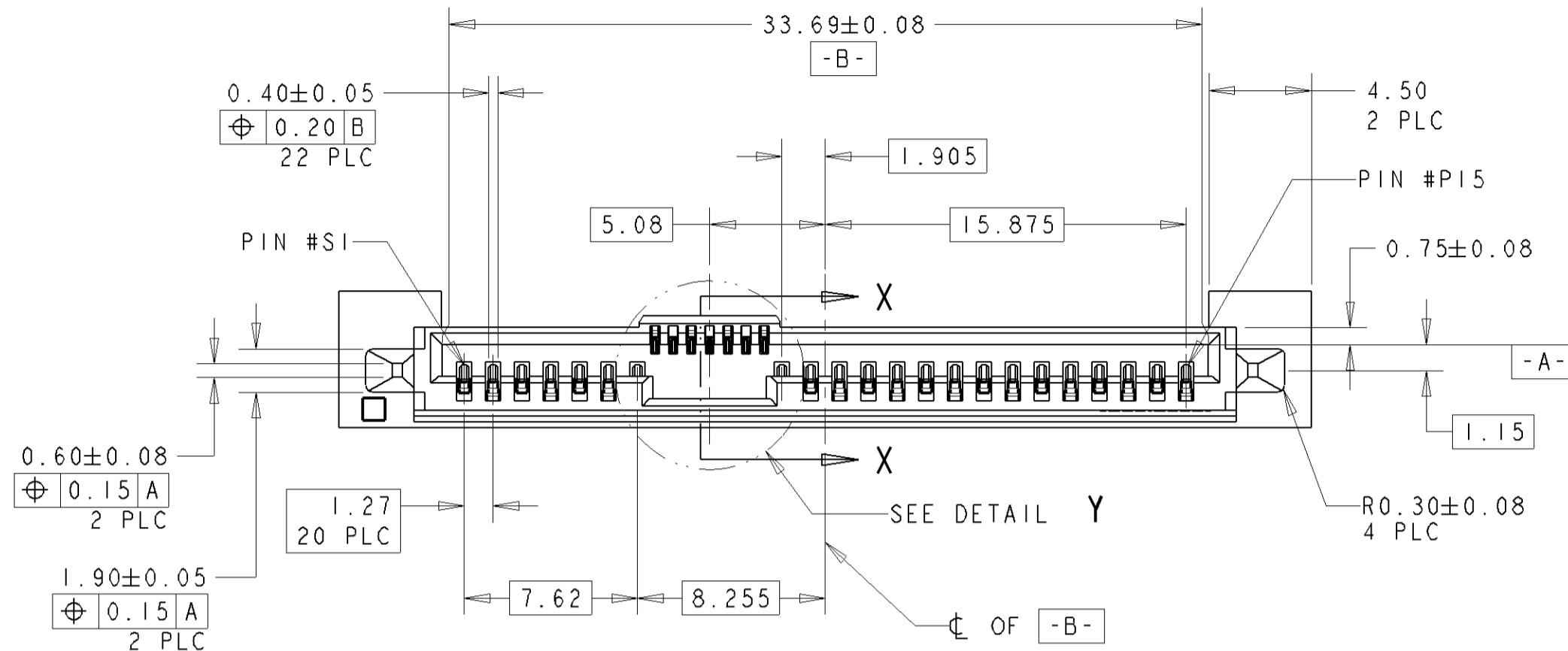


THIS DRAWING IS UNPUBLISHED. RELEASED FOR PUBLICATION .19  
 BY AMP INCORPORATED. ALL RIGHTS RESERVED.

LOC	DIST	REVISIONS					
		P	LTR	DESCRIPTION	DATE	OWN	APVD
DY	-	B		REVISED ECR-10-012418	11 JUN 10	PTY	LSF

NOTES:

- 1 MATERIAL:  
HOUSING: HIGH TEMP THERMOPLASTIC, UL94V-0,  
COLOR: BLACK  
CONTACT: COPPER ALLOY  
BOARDLOCK: COPPER ALLOY
- 2 FINISH:  
CONTACT AREA: MIN 0.76um GOLD PLATING  
SOLDERTAIL: MIN 2.54um MATTE TIN PLATING  
UNDERPLATE: MIN 1.27um NICKEL PLATING
- 3 PIN #P4 AND #P12 ONLY

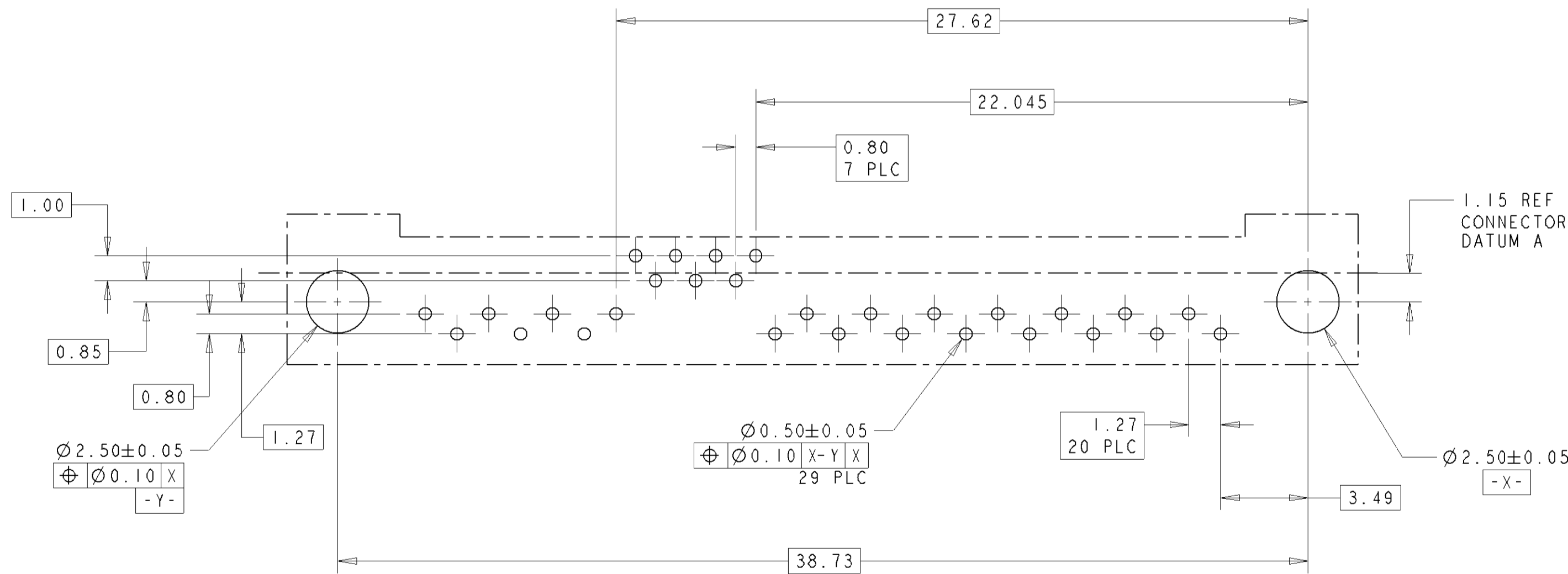
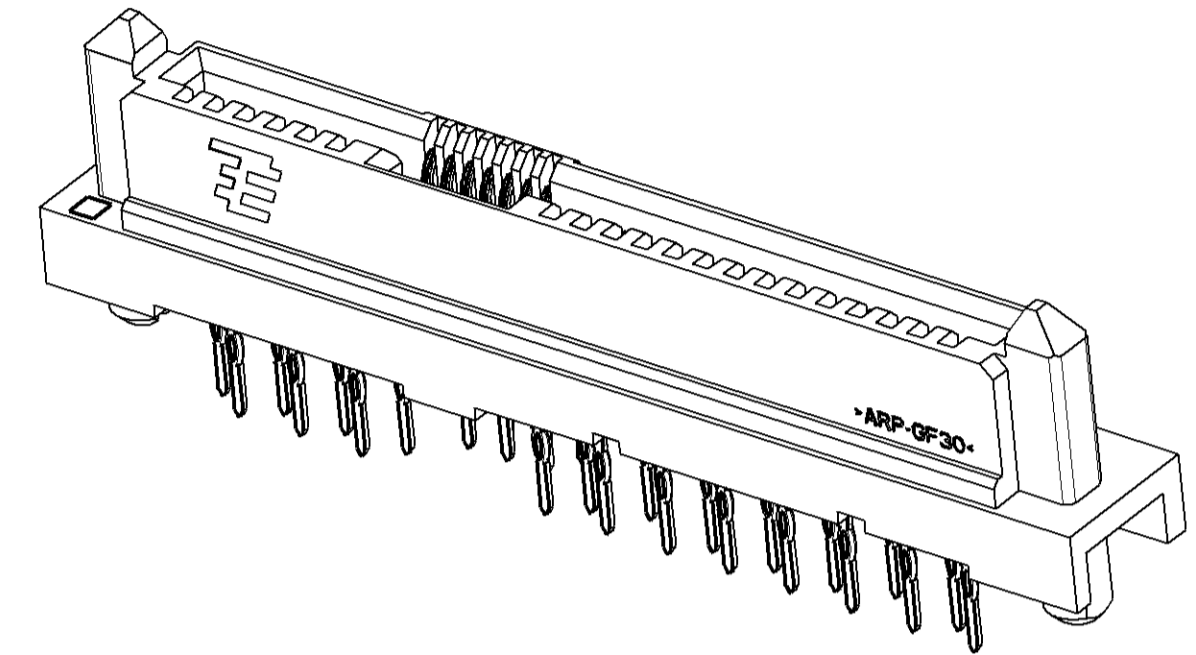


1735368-1  
PART NUMBER

THIS DRAWING IS A CONTROLLED DOCUMENT FOR AMP INCORPORATED. IT IS SUBJECT TO CHANGE AND THE CONTROLLING ENGINEERING ORGANIZATION SHOULD BE CONTACTED FOR THE LATEST REVISION.		OWN: SK LEAW 31 JUL 2006	Tyco Electronics Singapore Pte. Ltd.
DIMENSIONS: mm		CHK: SF LEONG 31 JUL 2006	
TOLERANCES, UNLESS OTHERWISE SPECIFIED:		APVD: SF LEONG 31 JUL 2006	NAME: SAS BACKPLANE RECEPTACLE, VERTICAL, PRESS-FIT
0 PLC ±		PRODUCT SPEC: 108-51067	
1 PLC ±		APPLICATION SPEC: 114-51013	SIZE: A2
2 PLC ±0.20		WEIGHT: -	CAGE CODE: 00779
3 PLC ±		CUSTOMER DRAWING	DRAWING NO: C=1735368
4 PLC ±			SCALE: 4:1
ANGLES ±3°			SHEET 1 OF 2
FINISH			REV B

THIS DRAWING IS UNPUBLISHED. RELEASED FOR PUBLICATION .19  
 © COPYRIGHT 19 BY AMP INCORPORATED. ALL RIGHTS RESERVED.

LOC	DIST	REVISIONS			
P	LTR	DESCRIPTION	DATE	DWN	APVD
DY	-	SEE SHEET 1	-	-	-



RECOMMENDED PCB LAYOUT  
 MIN BOARD THICKNESS: 1.44mm  
 SCALE 6:1

<small>THIS DRAWING IS A CONTROLLED DOCUMENT FOR AMP INCORPORATED. IT IS SUBJECT TO CHANGE AND THE CONTROLLING ENGINEERING ORGANIZATION SHOULD BE CONTACTED FOR THE LATEST REVISION.</small>		DWN SK LEAW 31JUL2006 CHN SF LEONG 31JUL2006 APVD SF LEONG 31JUL2006	<b>tyco</b> Electronics Tyco Electronics Singapore Pte. Ltd.
DIMENSIONS: mm 	TOLERANCES, UNLESS OTHERWISE SPECIFIED: 0 PLC ± 1 PLC ± 2 PLC ±0.20 3 PLC ± 4 PLC ± ANGLES ±3° FINISH -	NAME SF LEONG PRODUCT SPEC 108-51067 APPLICATION SPEC 114-51013 WEIGHT - CUSTOMER DRAWING	NAME SAS BACKPLANE RECEPTACLE, VERTICAL, PRESS-FIT SIZE A2 CAGE CODE 00779 DRAWING NO C=1735368 SCALE 4:1 SHEET 2 OF 2 REV B

# Mouser Electronics

Authorized Distributor

Click to View Pricing, Inventory, Delivery & Lifecycle Information:

[TE Connectivity:](#)

[1735368-1](#)