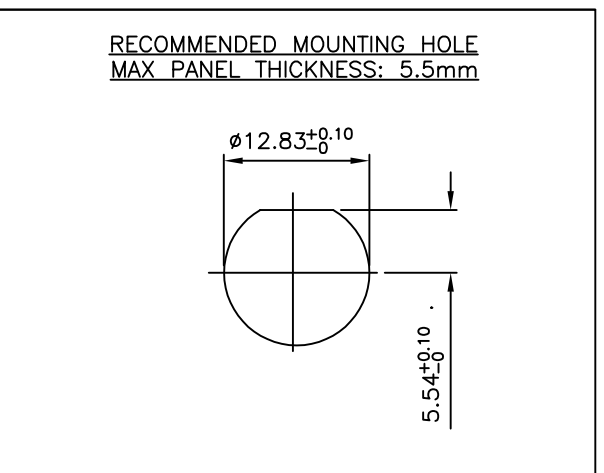
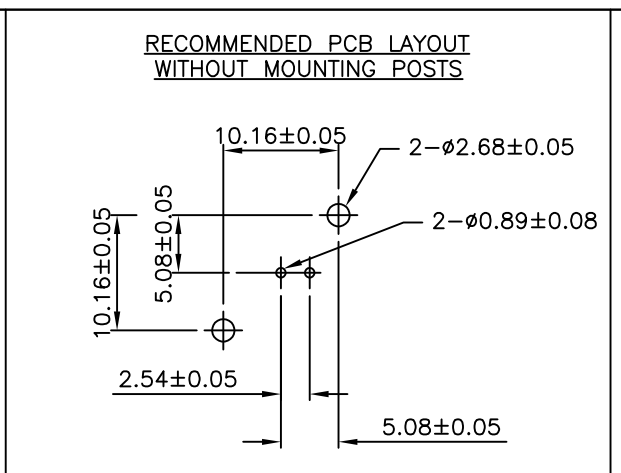
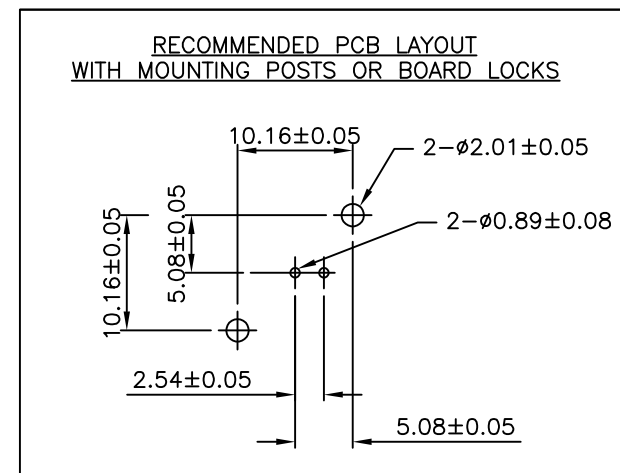
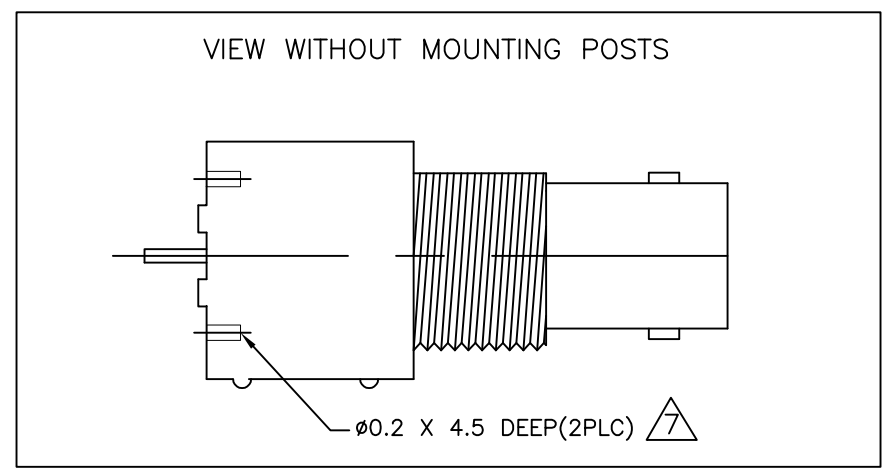
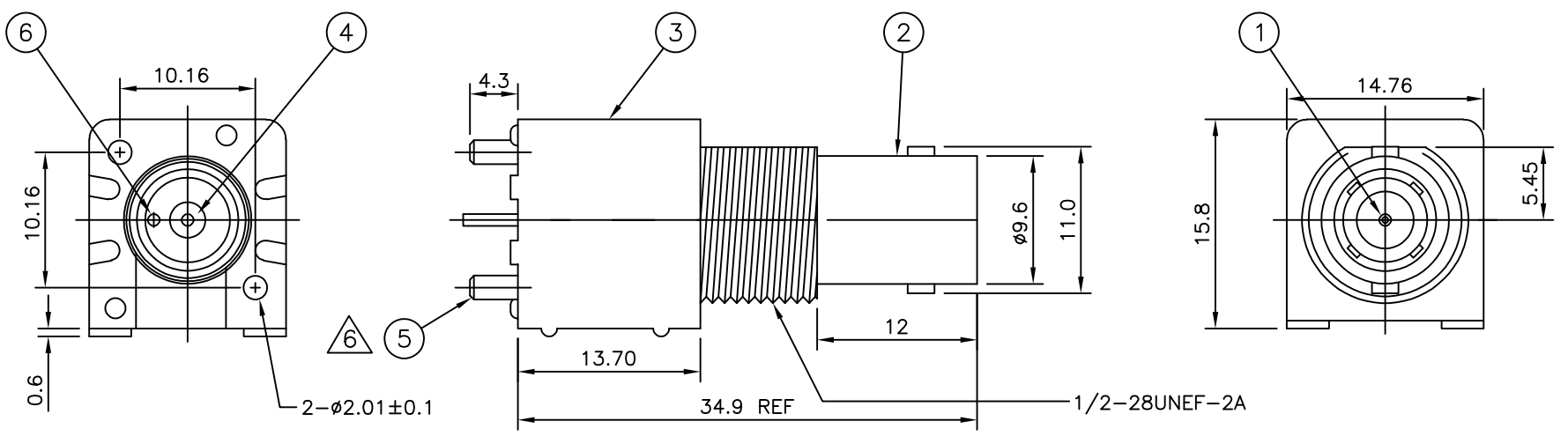


THIS DRAWING IS UNPUBLISHED. RELEASED FOR PUBLICATION AUGUST, 2005.
 © COPYRIGHT 2005 By - ALL RIGHTS RESERVED.

LOC	DIST	REVISIONS			
P	LTR	DESCRIPTION	DATE	DWN	APVD
E	B	D1	REVISED PER ECR-17-004176	23MAR2017	BW RS

- NOTES:**
- 1 SINGLE PACK IN ACCORDANCE WITH AMP SPEC 107-3275
 - 2 50 TRAY PACK IN ACCORDANCE WITH AMP SPEC 107-3275
 - 3 Au PLATING OVER Ni PLATING OVER Cu PLATING
 - 4 Ni PLATING OVER Cu PLATING
 - 5 TIN PLATING
 - 6 MOUNTING POSTS ARE OPTIONAL SEE TABLE FOR PART NUMBERS
 - 7 RECOMMENDED SELF-TAPPING SCREW 221108-4
 - 8. RECOMMENDED MOUNT NUT 1-1634816-0
 - 9. RECOMMENDED LOCKWASHER 1-1634817-0
 - 10. FOR TECHNICAL DATA REFER TO YOUR LOCAL TE CONNECTIVITY SALES OFFICE
 - 11. ALL DIMENSIONS ARE NOMINAL FOR REFERENCE ONLY UNLESS OTHERWISE STATED



QUANTITY PER ASSY						PARTS LIST					
				1	1	1	1	BRASS	△	SOLDER TAIL	6
				-	-	2	2	BRASS	△	MOUNTING POST	5
				1	1	1	1	PE-606		INSULATOR	4
				1	1	1	1	PBT WHITE		HOUSING	3
				1	1	1	1	ZINC ALLOY	△	BODY	2
				1	1	1	1	BRASS	△	CONTACT	1
				6--1	1--1	6--0	1--0	MATERIAL		DESCRIPTION	ITEM
				△	△	△	△				

Obsolete

THIS DRAWING IS A CONTROLLED DOCUMENT.

DWN RITA ZUO 06 Mar 09
 CHK ANSON MA 06 Mar 09
 APVD BOB ZHAO 06 Mar 09

PRODUCT SPEC 108-112000
 APPLICATION SPEC -

WEIGHT 0

CUSTOMER DRAWING

STE TE Connectivity

BNC STRAIGHT INSULATED PCB SOCKET
 75 OHM WHITE

SIZE A3 CAGE CODE 00779 DRAWING NO G-1478033 RESTRICTED TO -

SCALE NTS SHEET 1 OF 1 REV D1

Mouser Electronics

Authorized Distributor

Click to View Pricing, Inventory, Delivery & Lifecycle Information:

[TE Connectivity:](#)

[1-1478033-0](#)