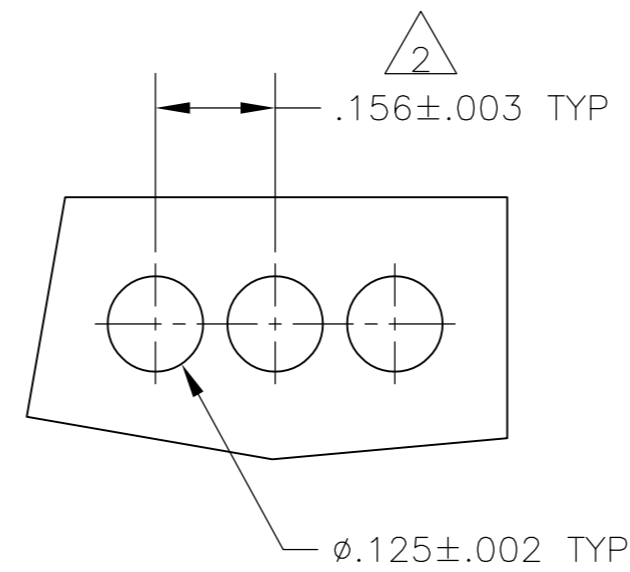
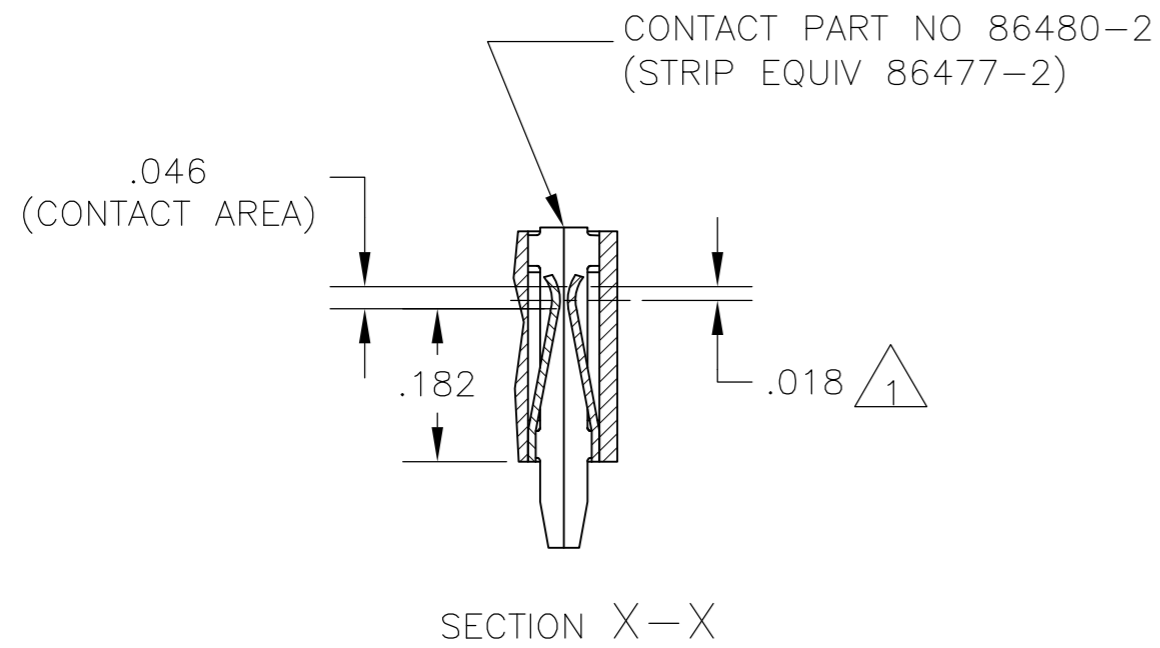
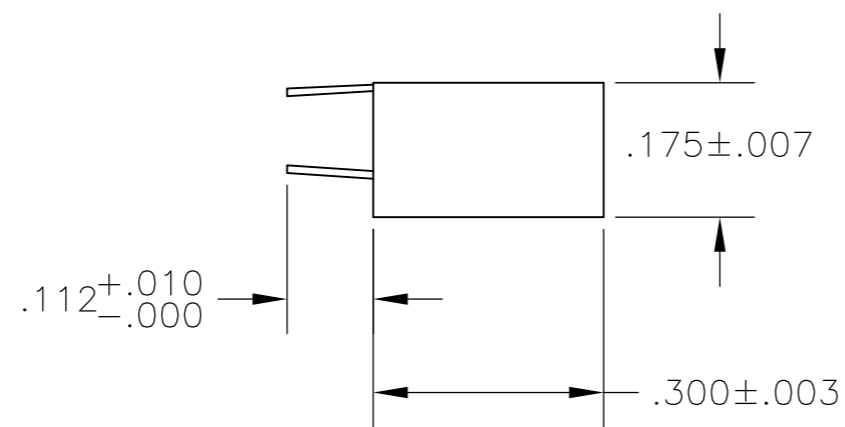
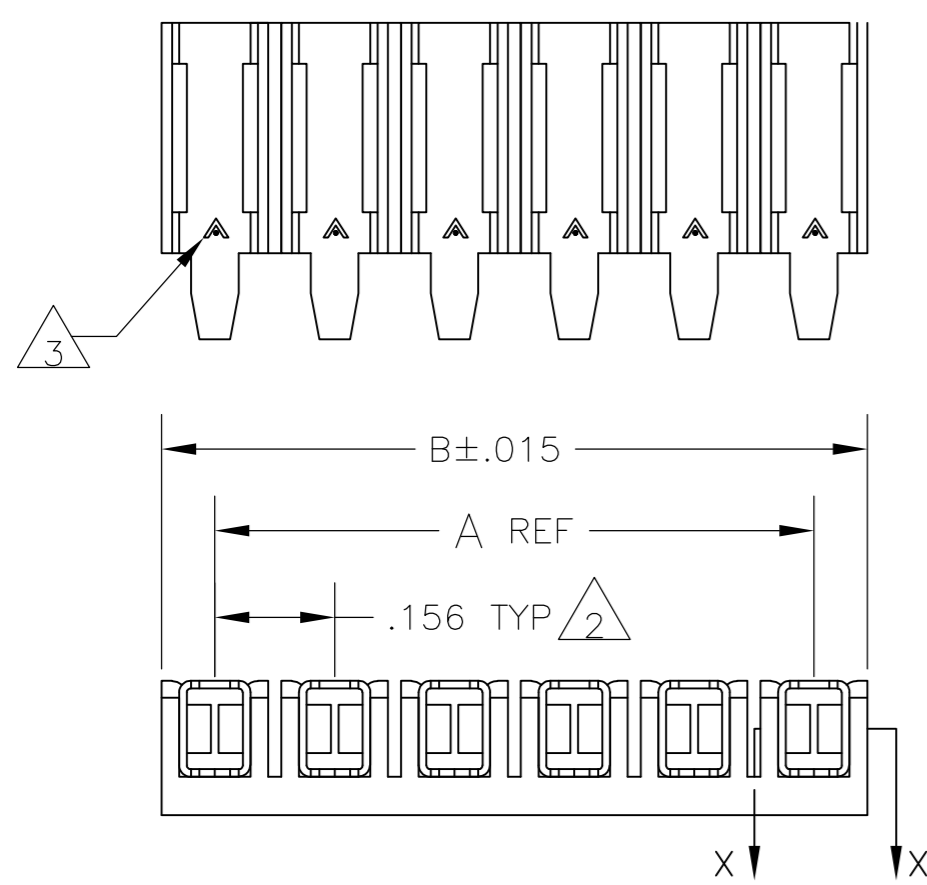


THIS DRAWING IS UNPUBLISHED. RELEASED FOR PUBLICATION
 © COPYRIGHT BY TYCO ELECTRONICS CORPORATION. ALL RIGHTS RESERVED.

LOC		DIST		REVISIONS			
P	LTR	DESCRIPTION	DATE	DWN	APVD		
	J2	REVISED ECO-10-018971	17SEP10	HMR	JO		



- 1 POINT OF MEASUREMENT FOR PLATING THICKNESS (INSIDE OF BEAMS).
- 2 TOLERANCE NON-CUMULATIVE.
- 3 THE MATING END OF THE CONTACT IS IDENTIFIED BY THE LETTER "A" STAMPED ON THE RECEPTACLE BOX.
- 4 OBSOLETE PARTS: OBSOLETE CIS STREAMLINING PER D.RENAUD/D.SINISI



B	A	NO OF POSN	ASSEMBLY PART NUMBER
	2.964	19	1-87984-9
	2.808	18	1-87984-8
	2.652	17	1-87984-7
	2.496	16	1-87984-6
	2.340	15	1-87984-5
	2.184	14	1-87984-4
	2.028	13	1-87984-3
	1.872	12	1-87984-2
	1.716	11	1-87984-1
	1.560	10	1-87984-0
	1.404	9	87984-9
	1.248	8	87984-8
	1.092	7	87984-7
	.936	6	87984-6
	.780	5	87984-5
	.624	4	87984-4
	.468	3	87984-3
	.312	2	87984-2

THIS DRAWING IS A CONTROLLED DOCUMENT.

DWN	L D RINGLEY	17MAR86	Tyco Electronics Corporation Harrisburg, PA 17105-3608			
CHK	P C DEJONG	18MAR86				
APVD	P C DEJONG	18MAR86				
PRODUCT SPEC	108-25,016					
APPLICATION SPEC	114-25,004		NAME			
MATERIAL	HOUSING-FLAME RETARDANT THERMOPLASTIC, COLOR-BLACK CONTACTS: PHOS BRONZE	FINISH .000030 GOLD IN THE CONTACT AREA, GOLD FLASH ON THE REMAINDER, ALL OVER .000050 NICKEL	SIZE	CAGE CODE	DRAWING NO	RESTRICTED TO
			A2	00779	C=87984	-
CUSTOMER DRAWING			SCALE	SHEET	OF	REV
			4:1	1	1	J2

Mouser Electronics

Authorized Distributor

Click to View Pricing, Inventory, Delivery & Lifecycle Information:

[TE Connectivity:](#)

[87984-3](#)