

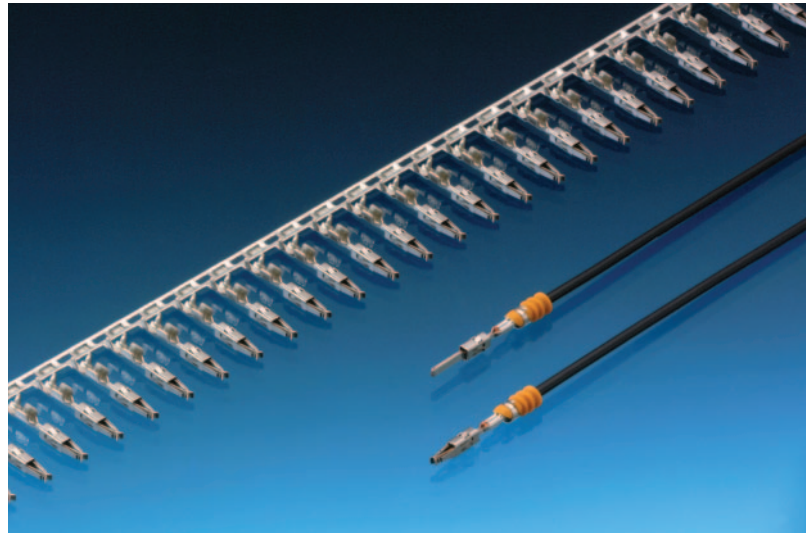
DCS-2



1.5 mm female and male terminals

Features

- DCS-2 technology
- Long contact mating force
- Long auxiliary steel spring in CrNi
- 4 mm pitch
- Single wire seal versions available
- Crimp code on terminal
- Suitable for secondary lock
- Selective gold-plated versions available
- Standard product



Performance characteristics*

- Contact resistance: < 2 mΩ
- Contact mating force: < 7 N
- Contact unmating force: < 4 N
- Current carrying capacity with 1.5 mm² wire:

at 23°C up to approx.:	20 A
at 85°C up to approx.:	15 A
at 100°C up to approx.:	10 A

* Mated with 1.5 x 0.6 mm DCS-2 male terminal (Sn)

Packing

- No. of terminals per reel: Consult us
- No. of reels per packing: Consult us

Tooling

- Manual crimping tool: Consult us
- Mini applicator: Consult us

Part Numbers	Type	Wire size range (in mm ²)		Insulation Ø (in mm) Max.	Material	Plating
		Min.	Max.			
6 000 05 11	Female	0.20	0.35	1.30	CuFe/CrNi	Sn
6 000 05 14	Female	0.20	0.35	1.30	CuSn/CrNi	Au
6 000 05 31	Female	0.50	1.00	2.10	CuFe/CrNi	Sn
6 000 05 34	Female	0.50	1.00	2.10	CuSn/CrNi	Au
6 000 05 41	Female	> 1.00	1.50	2.40	CuFe/CrNi	Sn
6 000 06 11 (SWS)	Female	0.20	0.35	1.60	CuFe/CrNi	Sn
6 000 06 14 (SWS)	Female	0.20	0.35	1.60	CuSn/CrNi	Au
6 000 06 31 (SWS)	Female	0.50	1.00	2.00	CuFe/CrNi	Sn
6 000 06 34 (SWS)	Female	0.50	1.00	2.00	CuSn/CrNi	Au
6 000 06 41 (SWS)	Female	> 1.00	1.50	2.40	CuFe/CrNi	Sn
6 010 06 11	Male	0.20	0.35	1.30	CuFe/CrNi	Sn
6 010 06 14	Male	0.20	0.35	1.30	CuSn/CrNi	Au
6 010 06 31	Male	0.50	1.00	2.10	CuFe/CrNi	Sn

SWS: Single Wire Seal

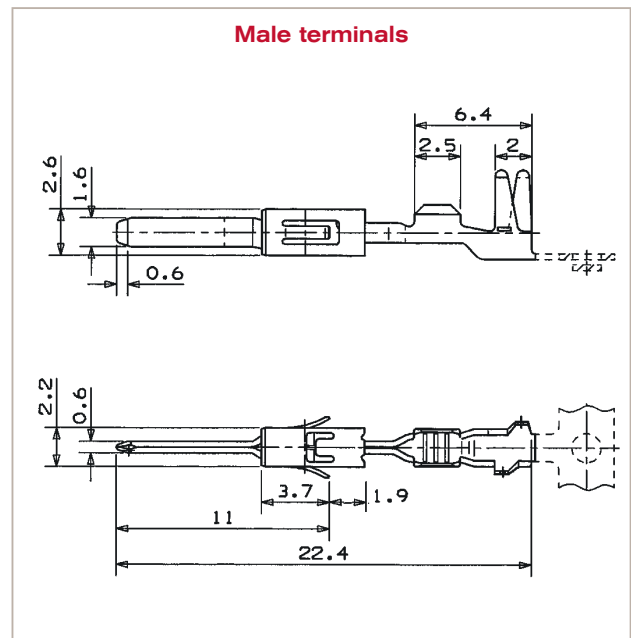
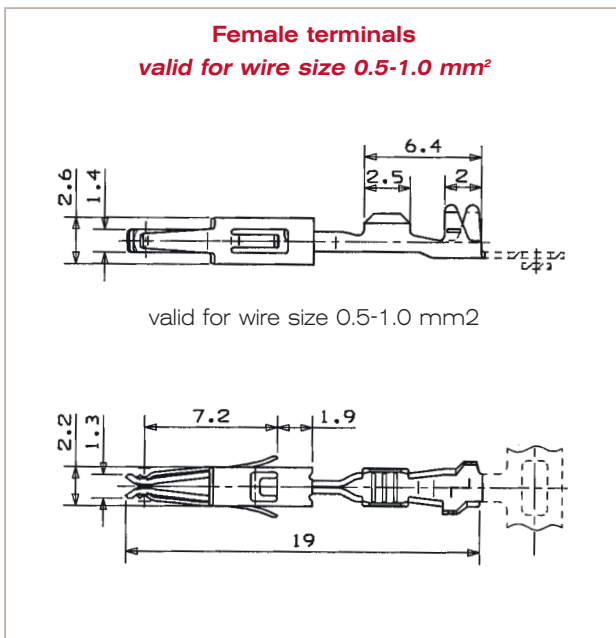
DCS-2

1.5 mm female and male terminals

Part Numbers	Type	Wire size range (in mm ²)		Insulation Ø (in mm)	Material	Plating
		Min.	Max.	Max.		
6 010 06 34	Male	0.50	1.00	2.10	CuSn/CrNi	Au
6 010 06 41	Male	> 1.00	1.50	2.40	CuFe/CrNi	Sn
6 010 07 11 (SWS)	Male	0.20	0.35	1.60	CuFe/CrNi	Sn
6 010 07 14 (SWS)	Male	0.20	0.35	1.60	CuSn/CrNi	Au
6 010 07 31 (SWS)	Male	0.50	1.00	2.00	CuFe/CrNi	Sn
6 010 07 34 (SWS)	Male	0.50	1.00	2.00	CuSn/CrNi	Au
6 010 07 41 (SW)	Male	> 1.00	1.50	2.40	CuFe/CrNi	Sn

SWS: Single Wire Seal

Dimensional characteristics



Notes :

Mouser Electronics

Authorized Distributor

Click to View Pricing, Inventory, Delivery & Lifecycle Information:

[Aptiv:](#)

[60000614](#) [60000641](#) [60000631](#) [60000611](#) [60000634](#)