

PRODUCT NUMBER

10056845-YXXYLF

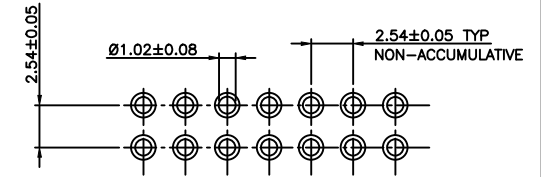
CODE

LEAD FREE, RoHS COMPATIBLE, NOTE 9.
PACKAGING NOTE 6

- 1 - SOLDER TAIL : 2.00mm
- 2 - SOLDER TAIL : 3.05mm

- S - SPECIFIC CUSTOMER PLATING OPTION WITH SOLDER TAIL : 2.00mm

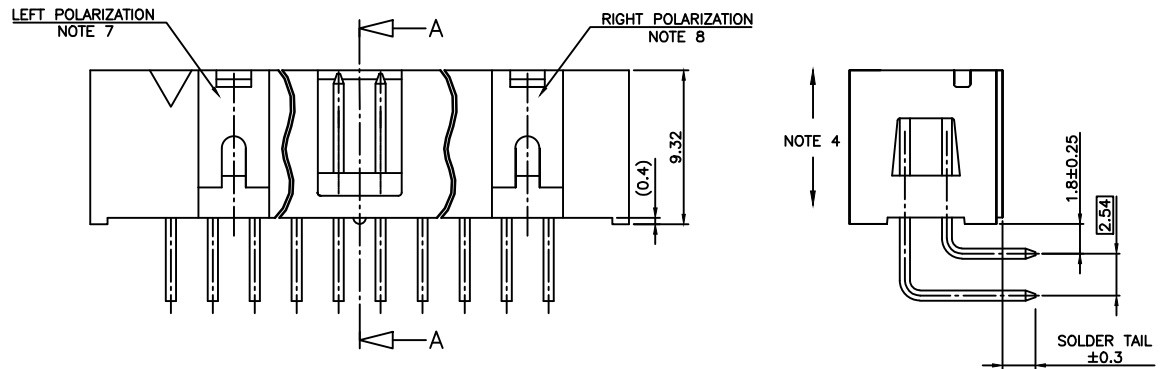
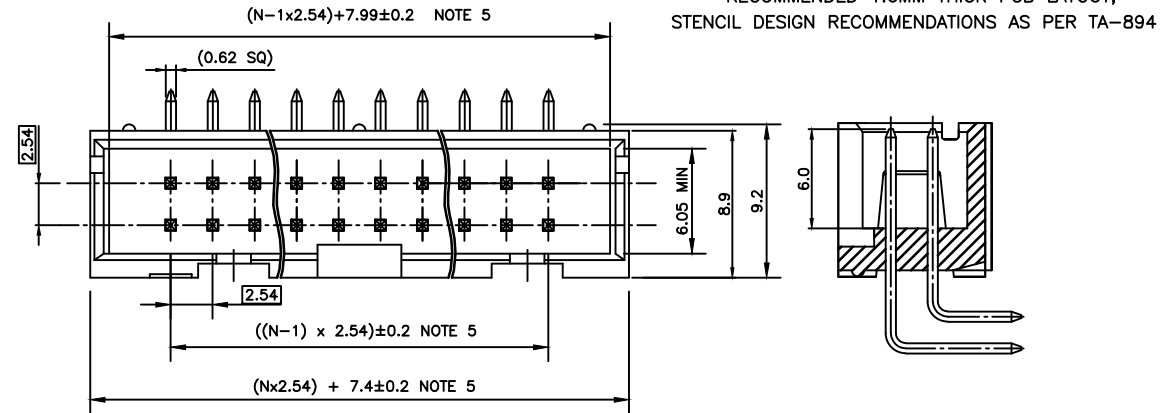
STYLE	SIZE
06	2x03
08	2x04
10	2x05
14	2x07
16	2x08
20	2x10
26	2x13
30	2x15
34	2x17
40	2x20



RECOMMENDED 1.6MM THICK PCB LAYOUT, STENCIL DESIGN RECOMMENDATIONS AS PER TA-894

NOTES:

- 1 - HOUSING MATERIAL: HIGH TEMPERATURE THERMOPLASTIC, UL94 V-0 COLOR BLACK.
- 2 - CONTACT MATERIAL: COPPER ALLOY
- 3 - PLATING SPECIFICATIONS :
0.76µm GOLD/GXT (PdNi WITH GOLD FLASH) ON CONTACT AREA
2µm MIN MATTE TIN ON TAILS.
1.27µm NICKEL MIN UNDERPLATING
- 4 - MINIMUM PUSH OUT FORCE OF PIN IN EITHER DIRECTION : 20N BEFORE SOLDERING.
- 5 - TO DETERMINE DIMENSIONS :
N = NUMBER OF POSITIONS PER ROW
EXAMPLE : 8 POS N x 2.54 = 20.32mm
- 6 - PACKAGING:
OMMIT = STANDARD TUBE PACKAGING.
K = TAPE AND REEL PACKAGING WITHOUT CAP ON REQUEST.
- 7 - NO LEFT POLARIZATION ON STYLE 06, 08, 10, 14.
- 8 - NO RIGHT POLARIZATION ON STYLE 06, 08.
- 9. RoHS COMPLIANT & COMPATIBLE PRODUCT SPECIFICATIONS
 - a - PLATING:
- "LF" MEANS THE PRODUCT IS LEAD-FREE AND RoHS COMPLIANT
2µm MINIMUM MATTE TIN ON TAILS OVER 1.27µm MINIMUM NICKEL UNDERPLATE.
 - b - THIS PRODUCT MEETS EUROPEAN UNION DIRECTIVES AND OTHER COUNTRY REGULATIONS AS PER GS-47-0004.
 - c - MANUFACTURING PROCESS COMPATIBILITY
- THE HOUSING WILL WITHSTAND EXPOSURE TO 260° PEAK TEMPERATURE FOR 10-30 SECONDS IN A CONVECTION INFRA-RED OR VAPOR PHASE REFLOW OVEN.
PHASE REFLOW OVEN.



mat'l. code	surface	tolerance	projection	product family
NOTES 1, 2	ISO 1302 ✓	ISO 406 ISO 1101	⊕	KQIE HDR
ltr	ecn no	dr	date	tolerances unless otherwise specified
H	B-19070	LMU	14.10.15	Linear .x ± 0.3 .xx ± 0.15 xxx ± 0.05
C	F07-0198	LMU	07.05.30	angles
D	F08-0148	YOV	08.04.11	dr
E	F12-0089	JCO	12.07.23	engr J.COMPAGNON
F	B-18016	JCO	14.06.19	chr
G	B-18066	LMU	14.06.24	appd J.M.C
sheet index	revision sheet			



Copyright FCI

Mouser Electronics

Authorized Distributor

Click to View Pricing, Inventory, Delivery & Lifecycle Information:

FCI / Amphenol:

[10056845-108LF](#) [10056845-130LF](#) [10056845-110LF](#) [10056845-114LF](#) [10056845-116LF](#) [10056845-120LF](#)
[10056845-126LF](#) [10056845-134LF](#) [10056845-140LF](#) [10056845-106LF](#) [10056845-134KLF](#) [10056845-110KLF](#)
[10056845-210LF](#) [10056845-S34KLF](#)