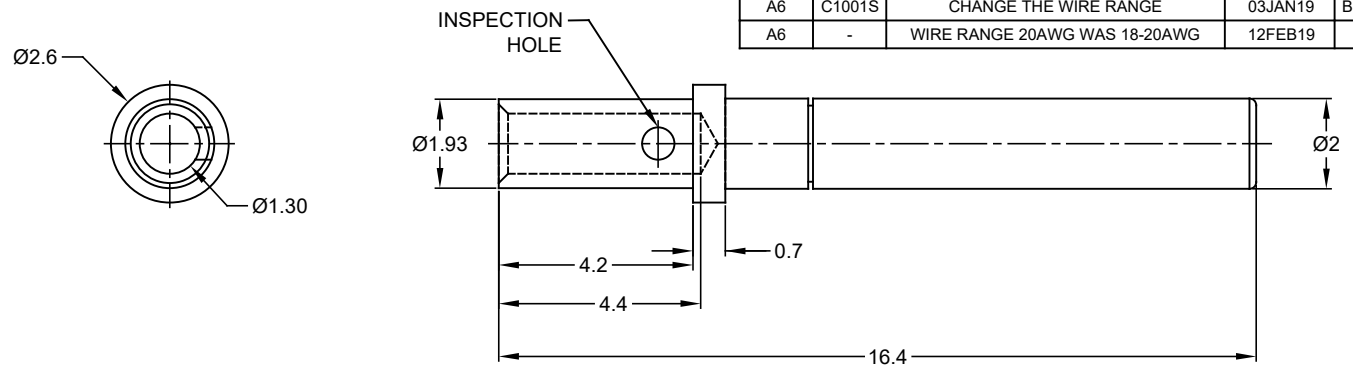


REVISIONS					
REV	ECO	DESCRIPTION	DATE	BY	APPR
A3	-	RELEASE NEW DWG FORMAT	16/JUL/13	DRP	-
A4	-	ADDED BARREL DIA1.30	04DEC14	JAH	-
A5	C0623S	UPDATE CONSTRUCT	16OCT17	JONY	TOMMY
A6	C1001S	CHANGE THE WIRE RANGE	03JAN19	BROOK	TOMMY
A6	-	WIRE RANGE 20AWG WAS 18-20AWG	12FEB19	JAH	DH



NOTES: UNLESS OTHERWISE SPECIFIED

1. MATERIAL: COPPER ALLOY
2. PLATING: SEE PART NUMBER CHART
3. CONTACT SIZE: 20
4. SPECIFICATIONS:
 - 4.1 CURRENT RATING: 7.5 AMPS
 - 4.2 CONTACT MILLIVOLT DROP: 60 MILLIVOLT DROP @ 7.5 AMP TEST CURRENT.
 - 4.3 RoHS COMPLIANT
5. RECOMMENDED WIRE RANGE: 20 AWG
6. AVAILABLE HAND CRIMPER: CA-5D12
7. ALL DIMENSIONS ARE FOR REFERENCE USE ONLY

PART NUMBER CHART	
PLATING	PART NUMBER
GOLD	AT62-201-2031
NICKEL	AT62-201-20141

SEE PART NUMBER CHART		PART NUMBER		DESCRIPTION		ITEM
QUANTITY	MATERIALS LIST					
UNLESS OTHERWISE SPECIFIED 1) All dimensions are in metric(mm). 2) Tolerances are as follows: 1 PL DEC ±0.30 2 PL DEC ±0.15 3 PL DEC ±0.08 3) Note reference = \triangle		SIGNATURES		DATE		<h2 style="text-align: center;">Amphenol</h2> <p style="text-align: center;">Sine Systems - www.amphenol-sine.com 44724 Morley Drive Clinton Township, MI 48036</p> <p style="text-align: center;">CONTACT, SOCKET, SOLID, SIZE 20, 20 AWG, ATM SERIES</p>
MATERIAL SPECIFICATIONS:		DRAWN: Brook		03JAN19		
PROCESS SPECIFICATIONS:		CHECKED: Orion		03JAN19		
NEXT ASSY:		ENGINEER:				
		APPROVAL: Tommy		03JAN19		
		CUSTOMER:				
		THIS DRAWING IS SUPPLIED FOR INFORMATION ONLY. DESIGN FEATURES, SPECIFICATIONS AND PERFORMANCE DATA SHOWN HEREON ARE THE PROPERTY OF THE AMPHENOL CORPORATION. NO RIGHTS OF REPRODUCTION ARE IMPLIED. ALL DIMENSIONS ARE SUBJECT TO NORMAL MANUFACTURING VARIATIONS.		SIZE: A C-		DWG NO: AT62-201-20XXX
		SCALE: NONE		REVISION: A7		
				SHEET 1 OF 1		