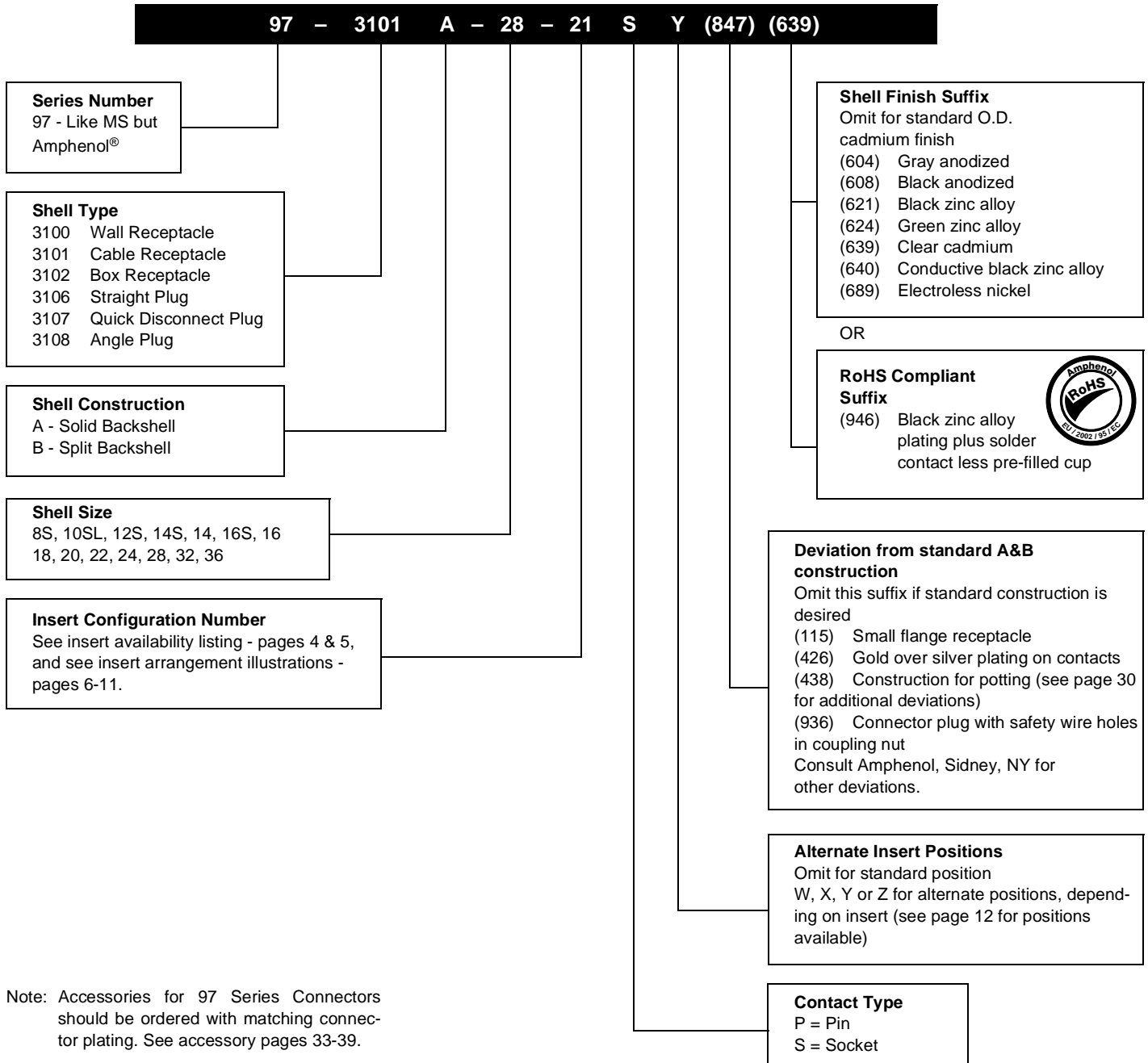


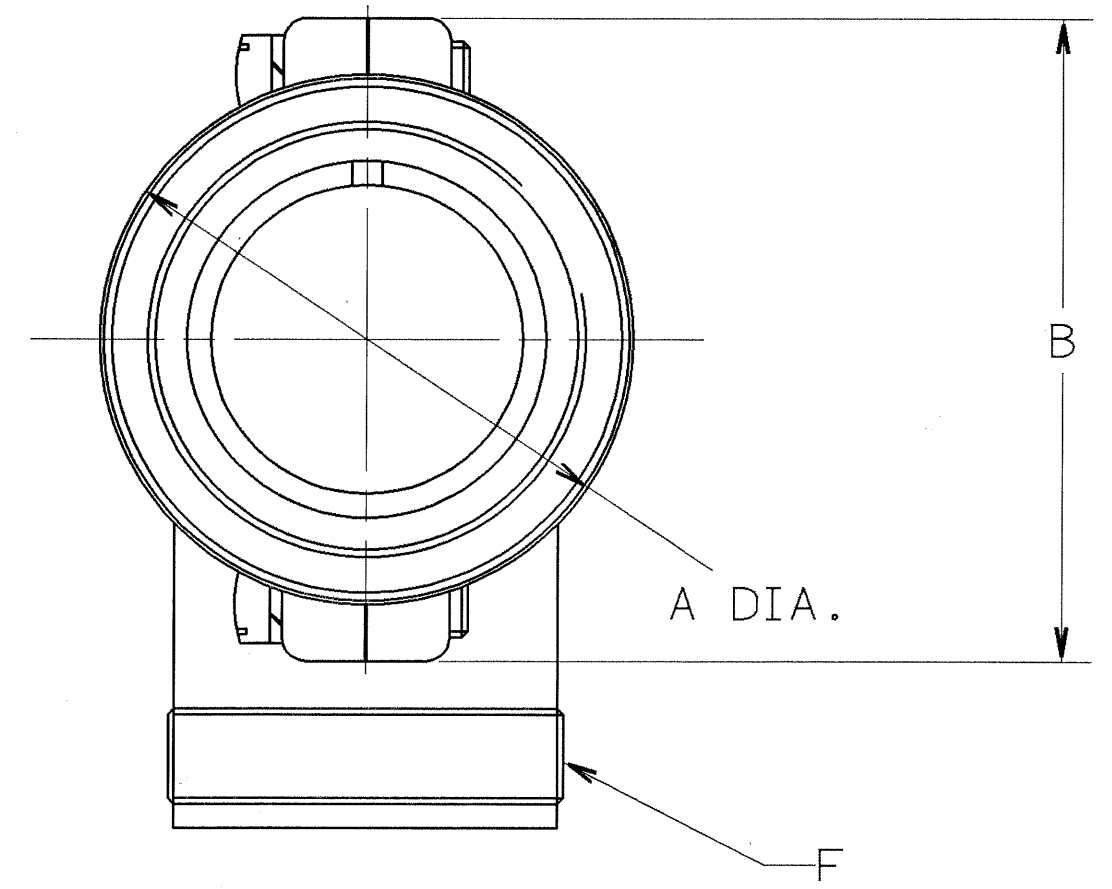
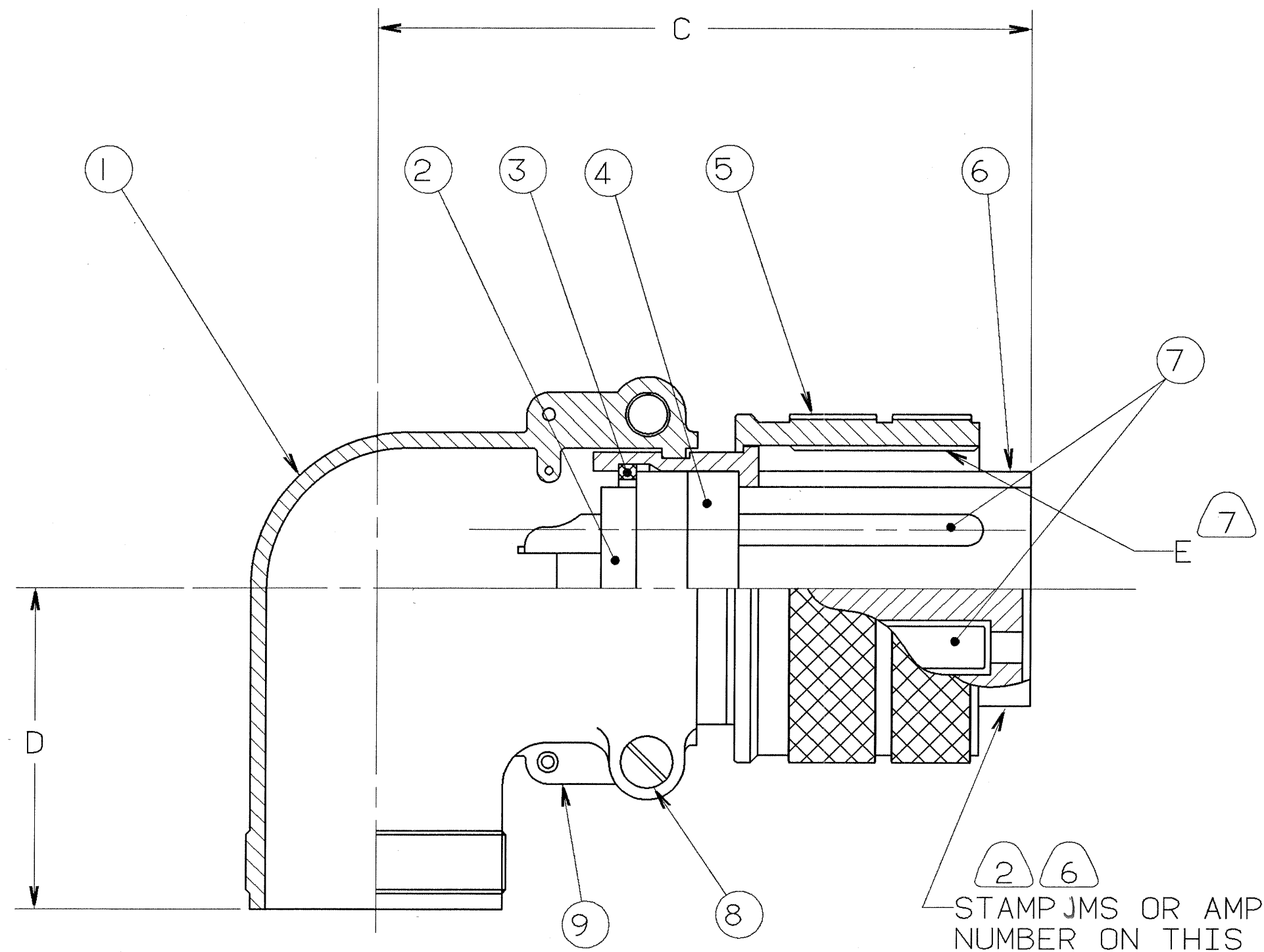
97 series solder type how to order

Example of part number for solder type connectors is given below.



Note: Accessories for 97 Series Connectors should be ordered with matching connector plating. See accessory pages 33-39.

REVISIONS				
ZONE	LTR	DESCRIPTION	DATE	APPROVED
	D	(CLII) ADDED NOTE 8 ECN:22391	08/29/89 BURNSIDE	m.m. J.B.
	E	(CLII) SEE ECN 91398	g/12/82	J. Balcan



STAMP JMS OR AMPHENOL ASSEMBLY NUMBER ON THIS SURFACE.
 CHARACTER HEIGHT .062 MINIMUM.
 EXAMPLE: JMS 3108B-12S-3P OR 97-3108B-12S-3P

FIND NO.	QTY REQD.	FSCM NO.	PART NUMBER	DESCRIPTION	NOTE REF.
9	SEE NOTE		SEE NOTE 1	BACK SHELL, MALE	
8				SCREW, BACK SHELL	
7				CONTACTS	
6				SHELL	
5				RING, COUPLING	7
4				INSERT, FRONT	
3				RING, RETAINING	
2				INSERT, REAR	
1				BACK SHELL, FEMALE	

UNLESS OTHERWISE SPECIFIED
 LINEAR DIMENSIONS ARE IN
 INCHES.
 TOLERANCES: .XXX±.010,
 .XX ±.03, .X ±.1,
 ANGLES ±2°.
 OTHER STANDARDS PER 9-3800
 AND DOD-D-1000.
 NOTE REF. =

PARTS LIST			AMPHENOL CORPORATION BENDIX CONNECTOR OPERATIONS SIDNEY, N.Y.	
SPECIFICATIONS	SIGNATURES	DATES	SIZE	FSCM NO.
MATERIAL SPEC. N/A	PREPARED A. PRESCOTT CHECKED PHILPOTT MATERIAL	11/06/87 11/17/87	C	77820
PROCESS SPEC. 9-2437-33 9-7568	APPROVED BERNHARDT HAYNER 1ST PART NO.	11/16/87 11/17/87	SCALE	WT.
			NONE	N/A
			REF	N/A
			SHEET	1 OF 2

SEE SHEET 2.
 NOTES:

THE USE OF THIS DOCUMENT IS UNLIMITED.
 HOWEVER, DOCUMENTS REFERENCED HEREON
 MAY CONTAIN LIMITED RIGHTS DATA.

N/A
 N/A
 NEXT ASSEMBLY

2/30/89 08:19 * 89241 13:55 * PRELSE * 10-820160/179 0001

97-3108B

A

8-30789 08 17 * 89241 15 43 * PRELIM * 10-820160/179 0002

4

3

2

1

BENDIX ASSEMBLY NUMBER	AMPHENOL ASSEMBLY NUMBER	MS ASSEMBLY NUMBER	A DIA.	B	C	D	E THREAD	F THREAD
10-820160-()	97-3108B- 8S -()	MS3108B - 8S -()	NOT AVAILABLE					
1-()	-10S -()	-10S -()	NOT AVAILABLE					
2-()	-10SL-()	-10SL-()	.875	-----	1.500	1.000	.6250-24 UNEF-2B	.6250-24 UNEF-2A
3-()	-12S -()	-12S -()	1.000	-----	1.562	1.000	.7500-20 UNEF-2B	.6250-24 UNEF-2A
4-()	-12SL-()	-12SL-()	NOT AVAILABLE					
5-()	-12 -()	-12 -()	1.000	-----	1.875	1.000	.7500-20 UNEF-2B	.6250-24 UNEF-2A
6-()	-14S -()	-14S -()	1.125	1.281	1.719	1.063	.8750-20 UNEF-2B	.7500-20 UNEF-2A
7-()	-14 -()	-14 -()	NOT AVAILABLE					
8-()	-16S -()	-16S -()	1.250	1.500	1.750	1.125	1.0000-20 UNEF-2B	.8750-20 UNEF-2A
9-()	-16 -()	-16 -()	1.250	1.500	2.125	1.125	1.0000-20 UNEF-2B	.8750-20 UNEF-2A
10-820170-()	-18 -()	-18 -()	1.344	1.641	2.156	1.187	1.1250-18 UNEF-2B	1.0000-20 UNEF-2A
1-()	-20 -()	-20 -()	1.469	1.812	2.375	1.312	1.2500-18 UNEF-2B	1.1875-18 UNEF-2A
2-()	-22 -()	-22 -()	1.594	1.937	2.406	1.312	1.3750-18 UNEF-2B	1.1875-18 UNEF-2A
3-()	-24 -()	-24 -()	1.719	2.063	2.625	1.437	1.5000-18 UNEF-2B	1.4375-18 UNEF-2A
4-()	-28 -()	-28 -()	1.969	2.312	2.625	1.437	1.7500-18 UNEF-2B	1.4375-18 UNEF-2A
5-()	-32 -()	-32 -()	2.219	2.594	2.812	1.750	2.0000-18 UNEF-2B	1.7500-18 UNEF-2A
6-()	-36 -()	-36 -()	2.469	2.848	2.844	1.937	2.2500-16 UNEF-2B	2.0000-18 UNEF-2A
7-()	-40 -()	-40 -()	2.719	3.156	2.969	2.062	2.2500-16 UNEF-2B	2.2500-16 UN -2A
8-()	-44 -()	-44 -()	NOT AVAILABLE					
9-()	-48 -()	-48 -()	NOT AVAILABLE					

TO COMPLETE, ADD APPLICABLE INSERT ARRANGEMENT SUFFIX PER 9-2437-33. ⁶

8. IDENTIFY PACKAGE WITH APPLICABLE MS OR 97- PART NUMBER PER NOTE 6.
7. APPLY LUBRICANT 9-7568 TO THREADS OF COUPLING RING.
6. FOR BENDIX INSERT ARRANGEMENT SUFFIX -1 THROUGH -49, STAMP MS ASSEMBLY NUMBER. FOR BENDIX INSERT ARRANGEMENT SUFFIX -50 THROUGH -99, AND -AA THROUGH -BC, STAMP AMPHENOL ASSEMBLY NUMBER.
5. FOR CONTACT ARRANGEMENT, SEE MIL-STD-1651 AND L-22208-() THROUGH L-22248-() .
4. PACKAGE PER PRODUCTION PROCESS SHEET.
3. UNITS MEET THE APPLICABLE REQUIREMENTS OF MIL-C-5015.
2. SEE WORK ORDER FOR PERMISSIBLE ADDITIONAL OR ALTERNATE STAMPING.
1. SEE SEPARATE PARTS LIST FOR COMPONENT PART NUMBERS AND QUANTITIES.

NOTES:

THE USE OF THIS DOCUMENT IS UNLIMITED. HOWEVER, DOCUMENTS REFERENCED HEREON MAY CONTAIN LIMITED RIGHTS DATA.

SIZE	FSCM NO.	REV.
C	77820	E
SCALE	WT.	REF.
		SHEET 2

COMPUTER GENERATED DRAWING

TAB.

97-3108B

Mouser Electronics

Authorized Distributor

Click to View Pricing, Inventory, Delivery & Lifecycle Information:

Amphenol:

[97-3108B14S1S](#) [97-3108B14S2S](#) [97-3108B14S5S](#) [97-3108B14S6P](#) [97-3108B1810S](#) [97-3108B1811S](#) [97-3108B1812P](#) [97-3108B184S](#) [97-3108B181S](#) [97-3108B-10SL-4S](#) [97-3108B1819P](#) [97-3108B1819S](#) [97-3108B1811P](#) [97-3108B1812S](#) [97-3108B1810P](#) [97-3108B181P](#) [97-3108B188S](#) [97-3108B188P](#) [97-3108B184P](#) [97-3108B-24-2S](#) [97-3108B-24-2P](#) [97-3108B-24-7S](#) [97-3108B-24-7P](#) [97-3108B-24-5S](#) [97-3108B-24-5P](#) [97-3108B-16-10P](#) [97-3108B-16-10S](#) [97-3108B-22-19P](#) [97-3108B-22-19S](#) [97-3108B-22-14S](#) [97-3108B-22-14P](#) [97-3108B-28-21S](#) [97-3108B-28-21P](#) [97-3108B-12S-3S](#) [97-3108B-12S-3P](#) [97-3108B-28-10S](#) [97-3108B-28-10P](#) [97-3108B-28-16S](#) [97-3108B-28-16P](#) [97-3108B-22-22S](#) [97-3108B-28-11S](#) [97-3108B-28-11P](#) [97-3108B-28-15S](#) [97-3108B-28-15P](#) [97-3108B-16S-1S](#) [97-3108B-16S-1P](#) [97-3108B-16S-8P](#) [97-3108B-16S-8S](#) [97-3108B-32-8P](#) [97-3108B-32-8S](#) [97-3108B14S1P](#) [97-3108B-10SL-3S](#) [97-3108B-18-20P](#) [97-3108B-18-19SX](#) [97-3108B-32-414PW](#) [97-3108B-10SL-3S\(946\)](#) [97-3108B-10SL-4S\(946\)](#) [97-3108B-12S-3P\(946\)](#) [97-3108B-12S-3S\(946\)](#) [97-3108B-14S-1P\(946\)](#) [97-3108B-14S-1S\(946\)](#) [97-3108B-14S-2P\(946\)](#) [97-3108B-14S-2S\(946\)](#) [97-3108B-14S-5P\(946\)](#) [97-3108B-14S-5S\(946\)](#) [97-3108B-14S-6P\(946\)](#) [97-3108B-14S-6S\(946\)](#) [97-3108B-14S-7P\(946\)](#) [97-3108B-14S-7S\(946\)](#) [97-3108B-16-10P\(946\)](#) [97-3108B-16-10S\(946\)](#) [97-3108B-16S-1P\(946\)](#) [97-3108B-16S-1S\(946\)](#) [97-3108B-16S-8P\(946\)](#) [97-3108B-16S-8S\(946\)](#) [97-3108B-18-10P\(946\)](#) [97-3108B-18-10S\(946\)](#) [97-3108B-18-11P\(946\)](#) [97-3108B-18-11S\(946\)](#) [97-3108B-18-12P\(946\)](#) [97-3108B-18-12S\(946\)](#) [97-3108B-18-16P\(946\)](#) [97-3108B-18-16S\(946\)](#) [97-3108B-18-19P\(946\)](#) [97-3108B-18-19S\(946\)](#) [97-3108B-18-1P\(946\)](#) [97-3108B-18-1S\(946\)](#) [97-3108B-18-4P\(946\)](#) [97-3108B-18-4S\(946\)](#) [97-3108B-18-8P\(946\)](#) [97-3108B-18-8S\(946\)](#) [97-3108B-20-15P\(946\)](#) [97-3108B-20-15S\(946\)](#) [97-3108B-20-16P\(946\)](#) [97-3108B-20-16S\(946\)](#) [97-3108B-20-27P\(946\)](#) [97-3108B-20-27S\(946\)](#) [97-3108B-20-29P\(946\)](#) [97-3108B-20-29S\(946\)](#) [97-3108B-20-4P\(946\)](#)