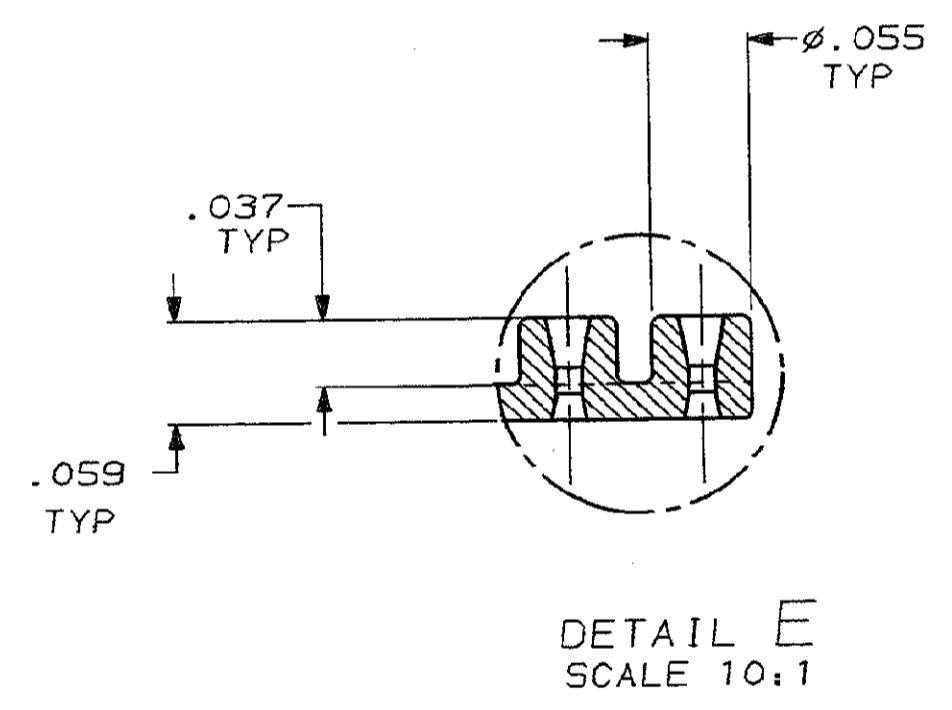
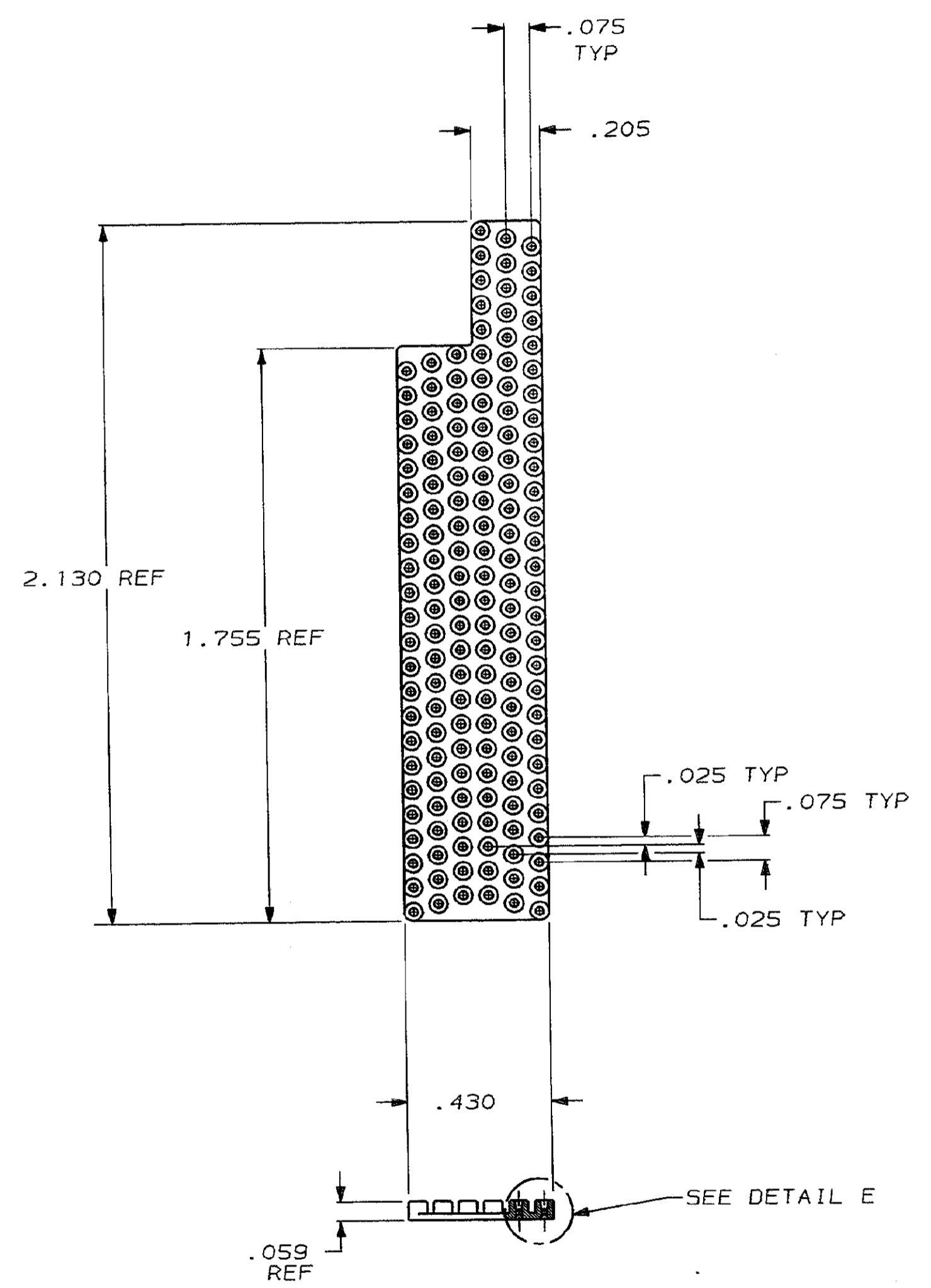


DRAWING MADE IN THIRD ANGLE PROJECTION

THIS DRAWING IS UNPUBLISHED. RELEASED FOR PUBLICATION, 1988  
 © COPYRIGHT 1988 BY AMP INCORPORATED. ALL INTERNATIONAL RIGHTS RESERVED.

LOC	DIST	REVISIONS				DATE	APPD
DF	TO	P	F	ZONE	LTR	DESCRIPTION	
					0	PRODUCT NO. ASSIGNED WAS 88-4829-7	9-28-88

1 MAT'L: FLUROSILICONE RUBBER COMPOUND, COLOR: BLUE.



DO NOT SCALE PRINT. UNLESS SPECIFIED DIMENSIONS IN INCHES. TOLERANCES ON: 2 PLC DEC ± -; 3 PLC DEC ± .005; ANGLES ± -.		DR - <i>[Signature]</i> 7/30/88		PART NO 445274-1	
MATERIAL	SEE CALLOUTS	CHK - <i>[Signature]</i> M. Norton 7/30/88	APPR - <i>[Signature]</i> M. Norton 9/30/88	APPD - <i>[Signature]</i> Kruger 9/30/88	NAME INTERFACIAL SEAL R HALF, 153 POS HDI - 6 ROW
FINISH	-	PRODUCT SPEC	APPLICATION SPEC	SIZE C	FSCM NO 00779
		WEIGHT		SCALE 3:1	DRAWING NO 445274
					SHEET 1 OF 1

CUSTOMER DRAWING

# Mouser Electronics

Authorized Distributor

Click to View Pricing, Inventory, Delivery & Lifecycle Information:

[TE Connectivity:](#)

[445274-1](#)