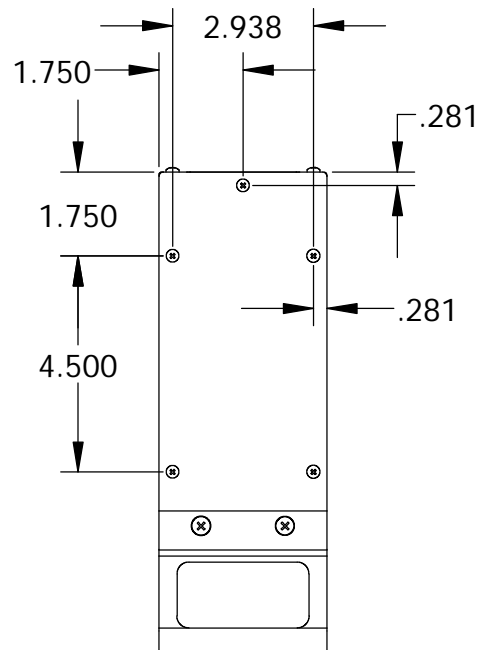


UNIT SHIPPED UNASSEMBLED.

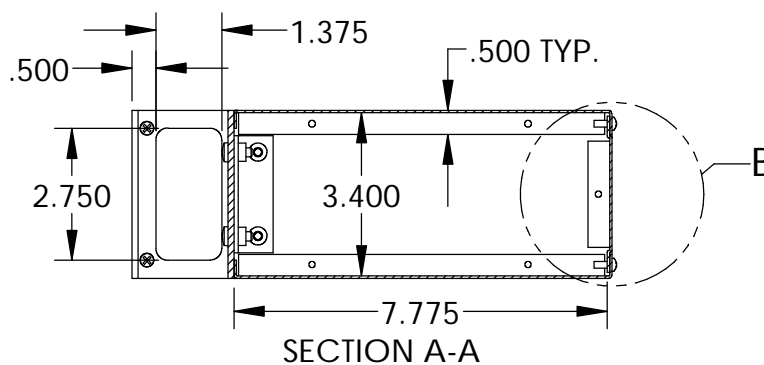
OUTER BRACKETS FOR MOUNTING IN STANDARD 19" WIDE CABINETS.

OPTIONAL SELF-ADHESIVE RUBBER FEET (SUPPLIED)

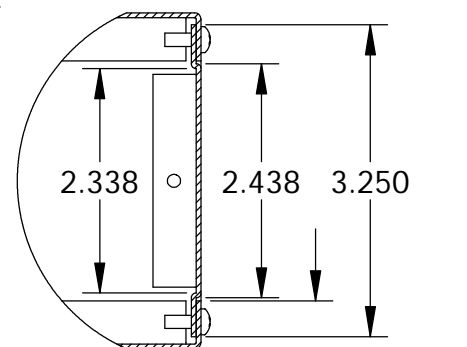
LOAD RATING: 25 LBS. MAX.



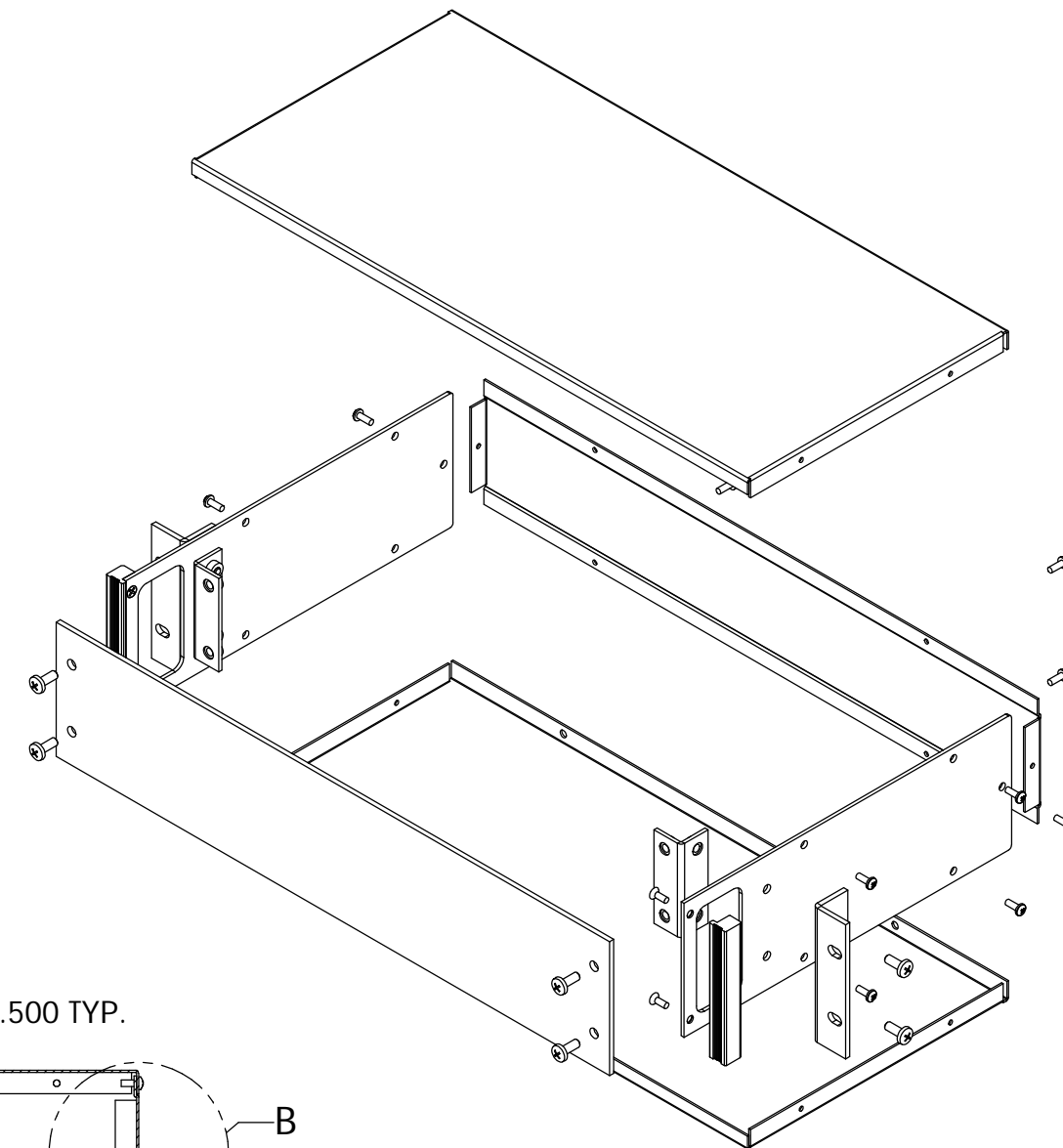
SIDE VIEW



SECTION A-A



DETAIL B SCALE 2 : 1



MATERIAL:

- BACK & COVERS \_\_\_\_\_ 0.050 THICK ALUMINUM
- SIDES & INNER BRACKETS \_\_\_\_\_ 0.090 THICK ALUMINUM
- FRONT PANEL \_\_\_\_\_ 0.125 THICK ALUMINUM
- OUTER BRACKETS \_\_\_\_\_ 11 GA. C.R.S.
- HANDLE EXTRUSIONS \_\_\_\_\_ ALUMINUM

FINISH:

- BACK & COVERS \_\_\_\_\_ PREPAINTED SMOOTH WHITE
- SIDES & OUTER BRACKETS \_\_\_\_\_ WHITE TEXTURED
- FRONT PANEL \_\_\_\_\_ NATURAL (OUTSIDE SURFACE TAPED WITH PVC)
- INNER BRACKETS \_\_\_\_\_ NATURAL
- HANDLE EXTRUSIONS \_\_\_\_\_ CAUSTIC ETCH & CLEAR ANODIZED
- FEET \_\_\_\_\_ BLACK

# Mouser Electronics

Authorized Distributor

Click to View Pricing, Inventory, Delivery & Lifecycle Information:

[Bud Industries:](#)

[HC-14099](#)