

PLUG

M	3	M		
J	2	J		
M	1	MI		
MFG.	SH.	REV.	LTR.	REVISIONS
				ADD RAMP LENGTH ECN #U4 0293 3-1-94 RW
				REVISED PER ECR # U90659 KBW 07-25-89 RW
				ADDED STANDOFFS PER ECR U8 2271 GEP 11-30-88 RW
				REV. & FINAL REL. ECR U8 1710 GEP 7-14-88 RW
				REVISED & REDRAWN PER ECR U8 0122 2-2-88 SCHAFFER

DIMENSIONS SHOWN (METRIC) INCH	
UNLESS OTHERWISE SPECIFIED TOLERANCES: ANGULAR ± 10°	
3 PLACE	± .010
2 PLACE	± .014
1 PLACE	---
DRAFT WHERE APPLICABLE MUST REMAIN WITHIN DIMENSIONS	

▽ = 0 ▼ = 0 REVISE ONLY ON CAD SYSTEM

TITLE: .093/(2.36) HOUSING PLUG AND RECEPTACLE 6 CKT. .264/(6.70) CTRS.

MOLEX INCORPORATED SHEET NO. 1 OF 3 DATE 1/25/88

FILE NAME: S31916X1.DGN DIV. CP SIZE C

DRWG. BY: JUS	CHK'D. BY: RW
APP'D. BY: RAS	SCALE: 2 : 1

PLUG		RECEPTACLE	
PART NO.	ENG. NO.	PART NO.	ENG. NO.
19-09-2068	3191-6P	19-09-1069	3191-6R1
19-09-2069	3191-6P1	19-09-1066	3191-6R1-201
19-09-2067	3191-6P-201	19-09-6060	3191-6RIRD
19-09-2066	3191-6P1-201	19-09-6069	3191-6RIBK
19-09-7069	3191-6PRD		
19-09-7068	3191-6PBK		

LEGEND:

3191-6****-*

CIRCUIT SIZE

P = PLUG
R = RECEPTACLE

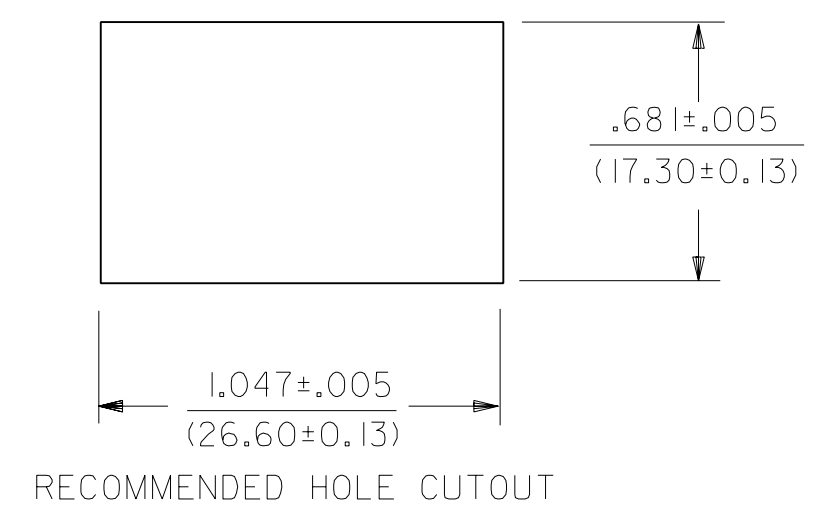
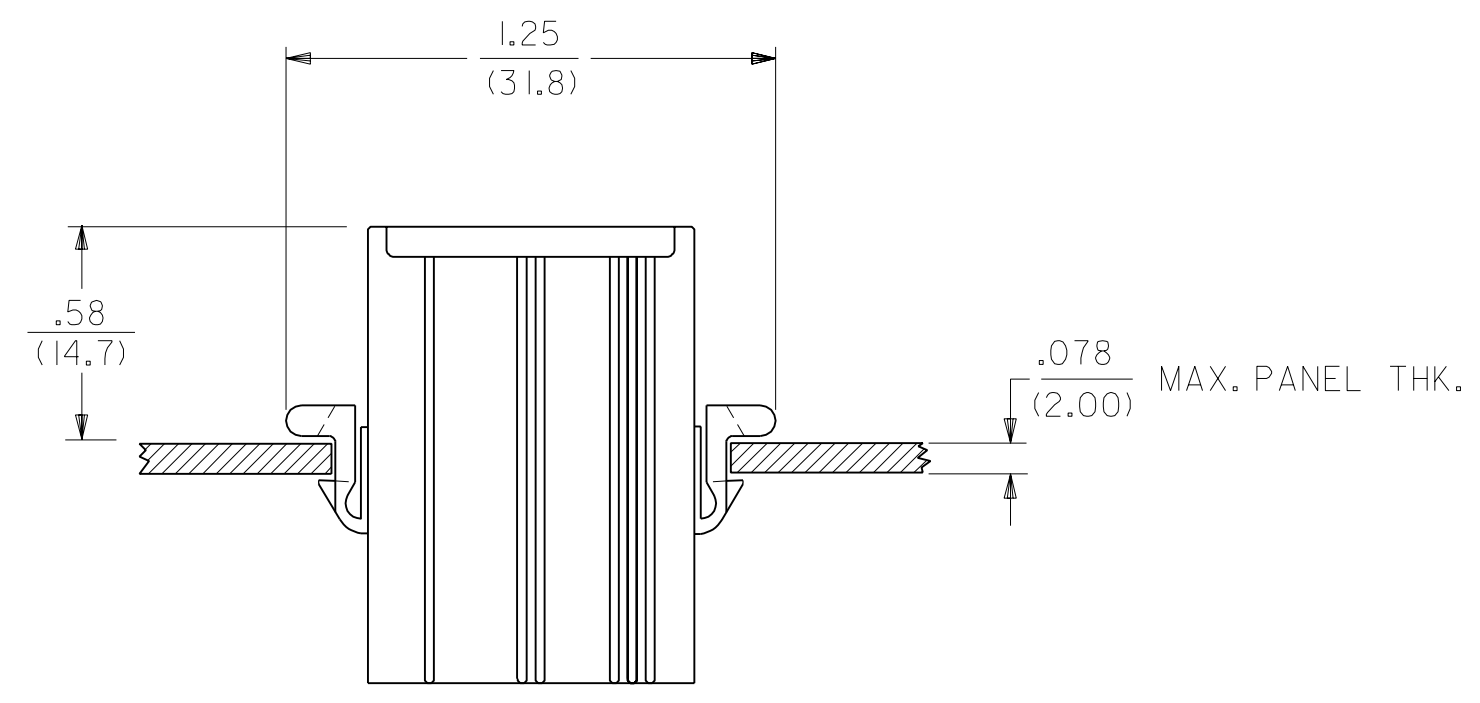
EARS: BLANK = WITH PREBENT EARS (PLUG ONLY)
I = WITHOUT EARS

COLOR: BLANK = NATURAL COLOR

AM=AMBER BK=BLACK BU=BLUE
BN=BROWN GY=GRAY GN=GREEN
OR=ORANGE RD=RED YW=YELLOW

COLORS AVAILABLE ONLY IN 94V-2 MATERIAL

MATERIAL: BLANK=NYLON TYPE 6/6, 94V-2
201=NYLON TYPE 6/6, 94V-0



MOUNTING HOLE DETAIL

DIMENSIONS SHOWN (METRIC) INCH		UNLESS OTHERWISE SPECIFIED TOLERANCES: ANGULAR ± 10°		REVISIONS		REVISIONS		M		SEE SHEET I		L		SEE SHT. I		K		SEE SHT. I		J		SEE SHT. I	
3 PLACE ± .010 ---		INCH METRIC		LTR.		REVISIONS		LTR.		REVISIONS		LTR.		REVISIONS		LTR.		REVISIONS		LTR.		REVISIONS	
2 PLACE ± .014 ± 0.25		1 PLACE --- ± 0.36		APP'D. BY RAS		SCALE ---:---		CHK'D. BY RW		FILE NAME S31916X3 DGN		THIS DRAWING CONTAINS INFORMATION THAT IS PROPRIETARY TO MOLEX INC. AND SHOULD NOT BE USED WITHOUT WRITTEN PERMISSION.		DIV. CP		SIZE C		DRWG. NO. SD-3191-6*		SHEET NO. 3		DATE 1/22/88	
TITLE .093/(2.36) HOUSINGS PLUG AND RECEPTACLE 6 CKT., .264/(6.70) CTRS.		MOLEX INCORPORATED LISLE, ILL. 60532 U.S.A.		PART NO. SEE CHART		DRWG. NO. SD-3191-6*		MATERIAL: BLANK=NYLON TYPE 6/6, 94V-2		COLOR: BLANK=NATURAL COLOR		MOUNTING HOLE DETAIL		RECOMMENDED HOLE CUTOUT		MOUNTING HOLE DETAIL		MOUNTING HOLE DETAIL		MOUNTING HOLE DETAIL		MOUNTING HOLE DETAIL	