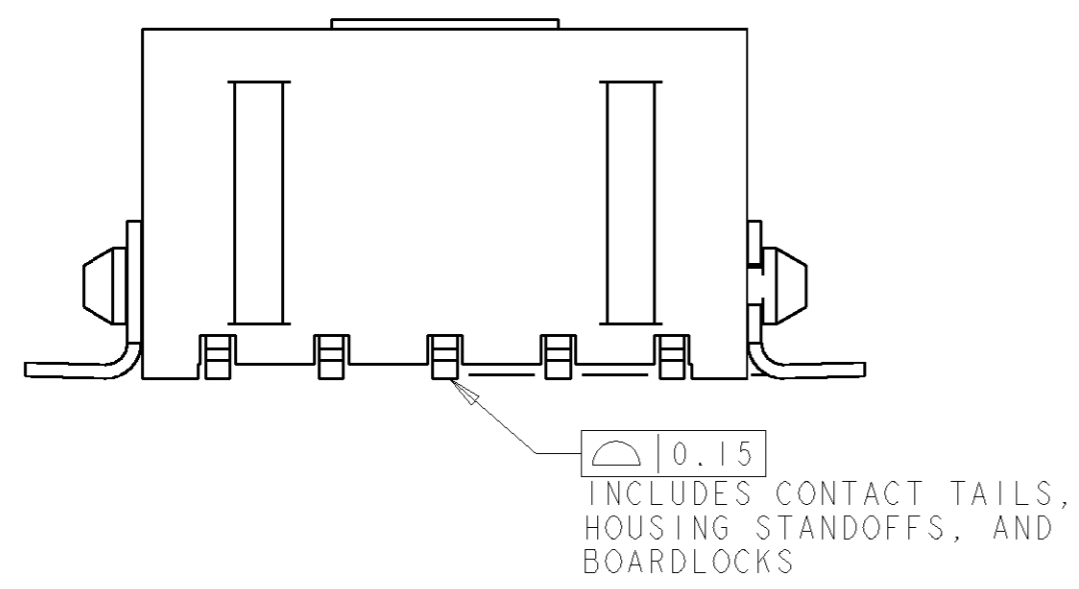
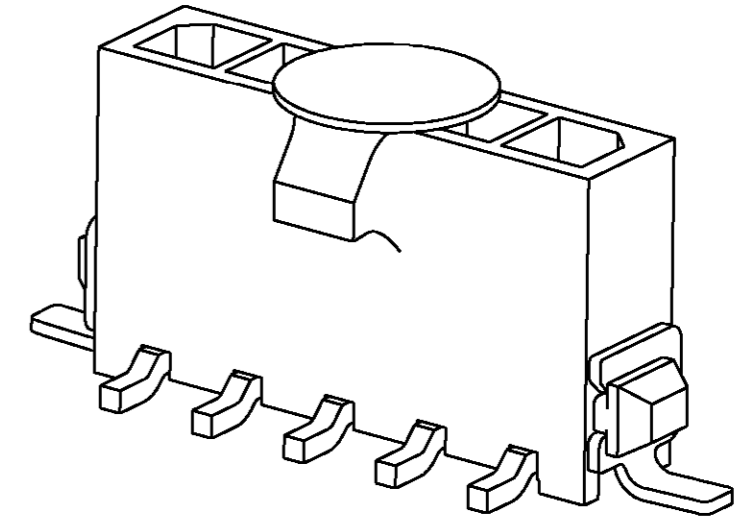
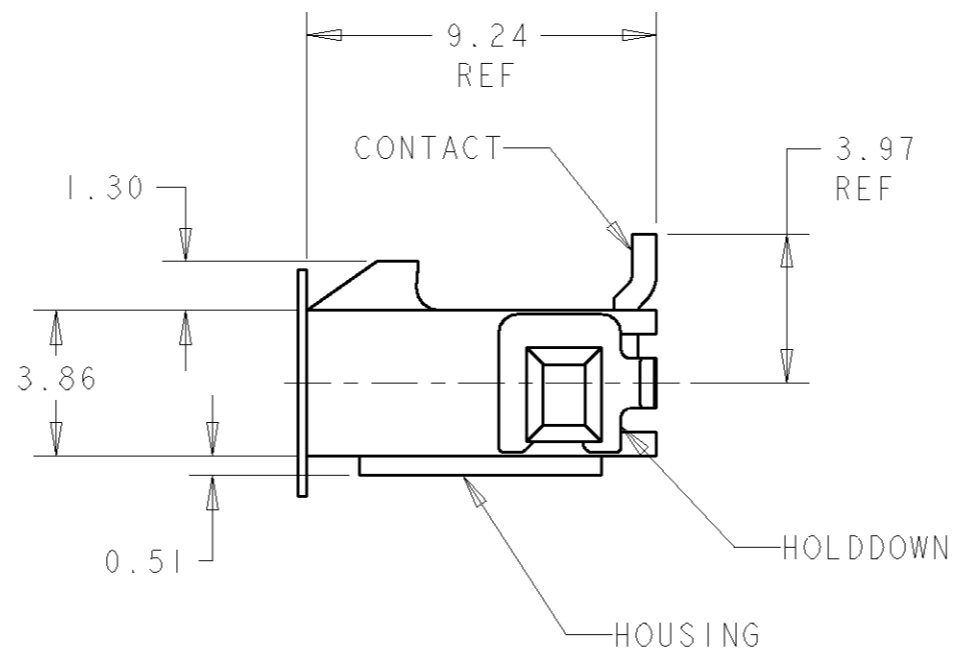
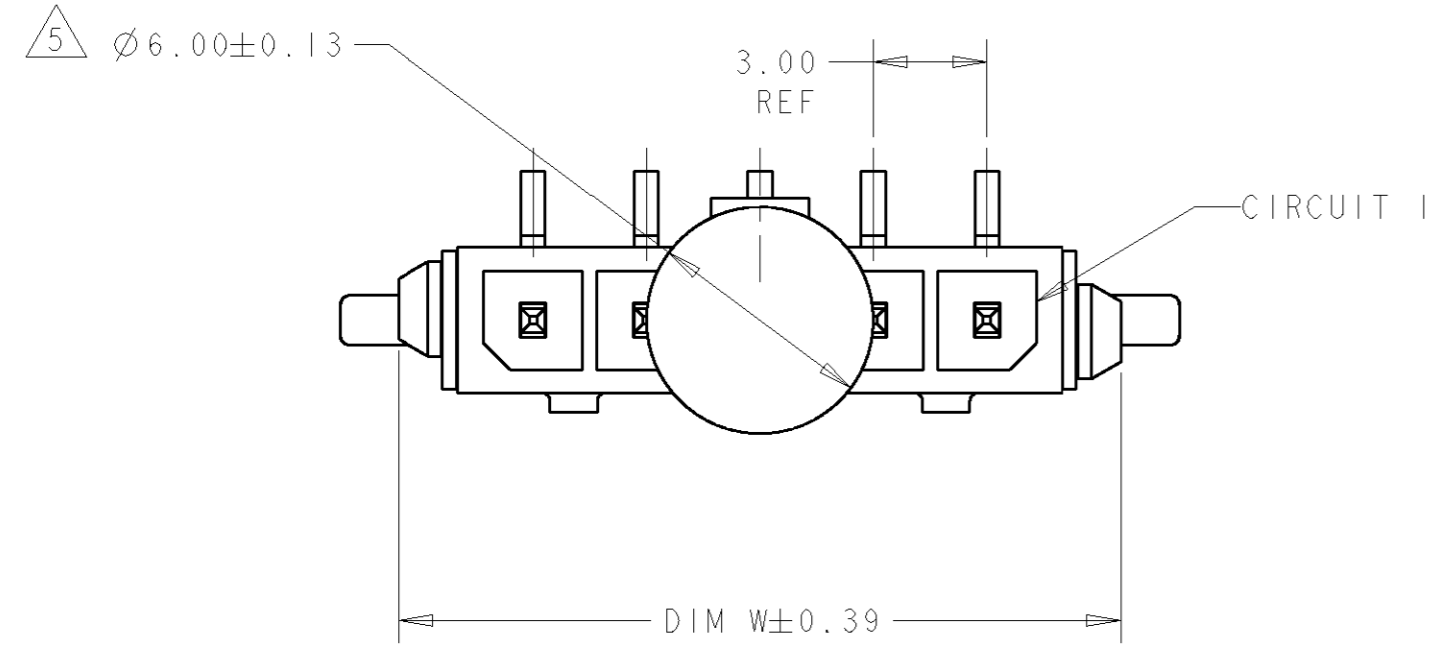
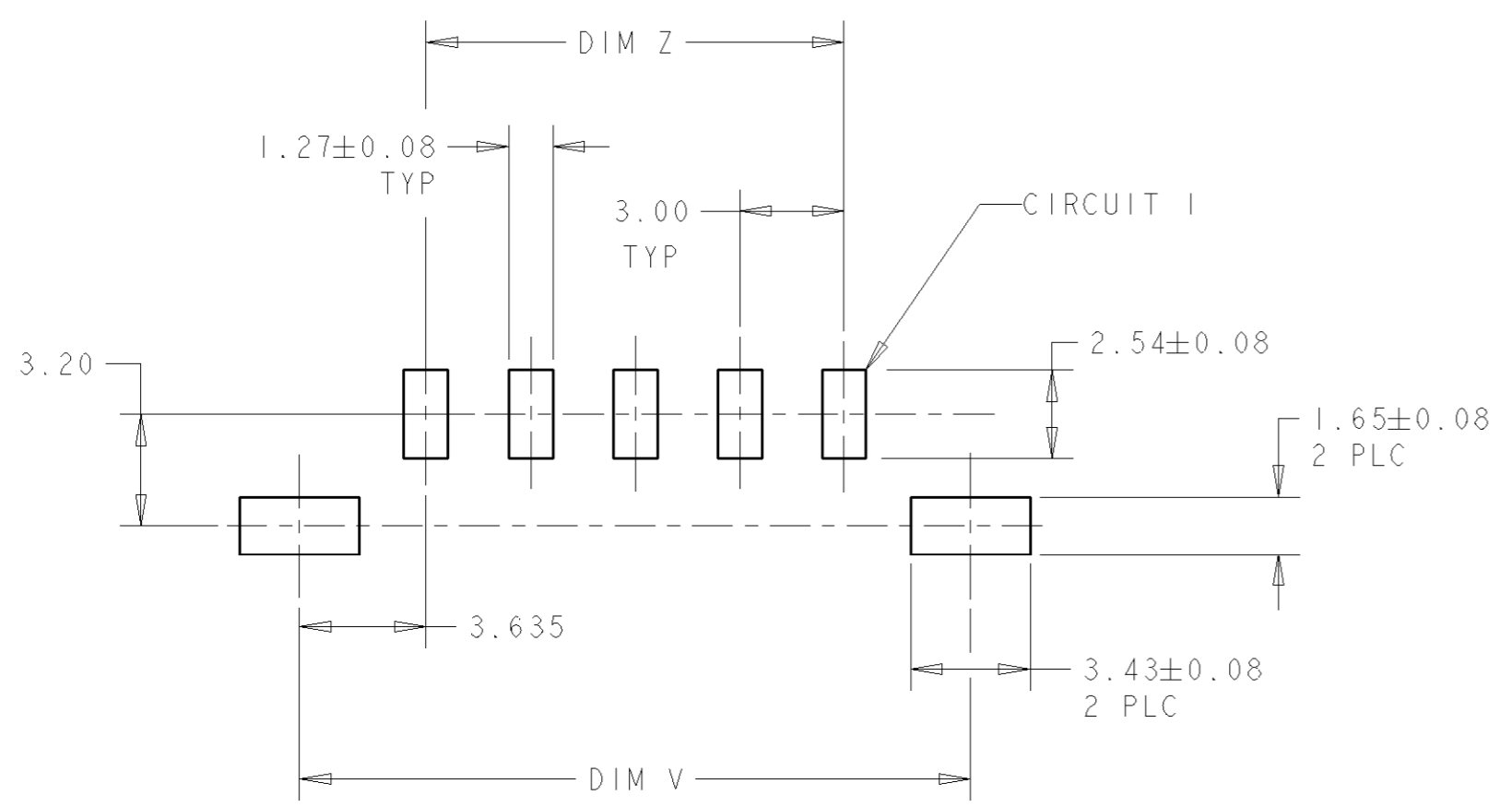


THIS DRAWING IS UNPUBLISHED. RELEASED FOR PUBLICATION .19  
 © COPYRIGHT 19 BY AMP INCORPORATED. ALL RIGHTS RESERVED.

LOC	DIST	REVISIONS			
P	LTR	DESCRIPTION	DATE	DWN	APVD
CM	00	A	REVISED PER 063B-0047-02	04-FEB-02	KW CJ



- 1 MATERIAL: CONTACTS - BRASS  
HOUSING - UL 94V-0 RATED HIGH TEMP NYLON, COLOR BLACK.  
HOLDDOWNS: - PHOSPHOR BRONZE.
- 2 PLATING: CONTACTS - 2.54µm MINIMUM TIN-LEAD OVER 1.27µm MINIMUM NICKEL.  
HOLDDOWNS: 2.54µm MINIMUM TIN-LEAD OVER 1.27µm MINIMUM NICKEL.
- 4 RECOMMENDED PC BOARD THICKNESS OF 1.57.
- 5 KAPTON VACUUM PICK UP BUTTON.



PCB LAYOUT COMPONENT SIDE 4

33.00	40.41	40.00	12	1-1445053-2
30.00	37.41	37.00	11	1-1445053-1
27.00	34.41	34.00	10	1-1445053-0
24.00	31.41	31.00	9	1445053-9
21.00	28.41	28.00	8	1445053-8
18.00	25.41	25.00	7	1445053-7
15.00	22.41	22.00	6	1445053-6
12.00	19.41	19.00	5	1445053-5
9.00	16.41	16.00	4	1445053-4
6.00	13.41	13.00	3	1445053-3
3.00	10.41	10.00	2	1445053-2
DIM Z	DIM V	DIM W	NO. OF POSN	PART NUMBER

THIS DRAWING IS A CONTROLLED DOCUMENT FOR AMP INCORPORATED. IT IS SUBJECT TO CHANGE AND THE CONTROLLING ENGINEERING ORGANIZATION SHOULD BE CONTACTED FOR THE LATEST REVISION.		DWN J.ROOT 07OCT2000 CHK K.WHITAKER 20-FEB-2001 APVD C.JONES 20-FEB-2001	<b>AMP</b> Tyco Electronics Harrisburg, PA 17105-3608
DIMENSIONS: mm 	TOLERANCES UNLESS OTHERWISE SPECIFIED: 0 PLC ± 1 PLC ± 2 PLC ±0.13 3 PLC ± 4 PLC ± ANGLES ± FINISH -	PRODUCT SPEC - APPLICATION SPEC - WEIGHT -	NAME VERTICAL SURFACE MOUNT HEADER ASSY, TIN CONTACTS, SURF MOUNT HOLDDOWNS, SINGLE ROW, MICRO MATE-N-LOK™ SIZE A2 CAGE CODE 00779 DRAWING NO. 1445053
MATERIAL - 1		CUSTOMER DRAWING SCALE 5:1 SHEET 1 OF 1 REV A	

