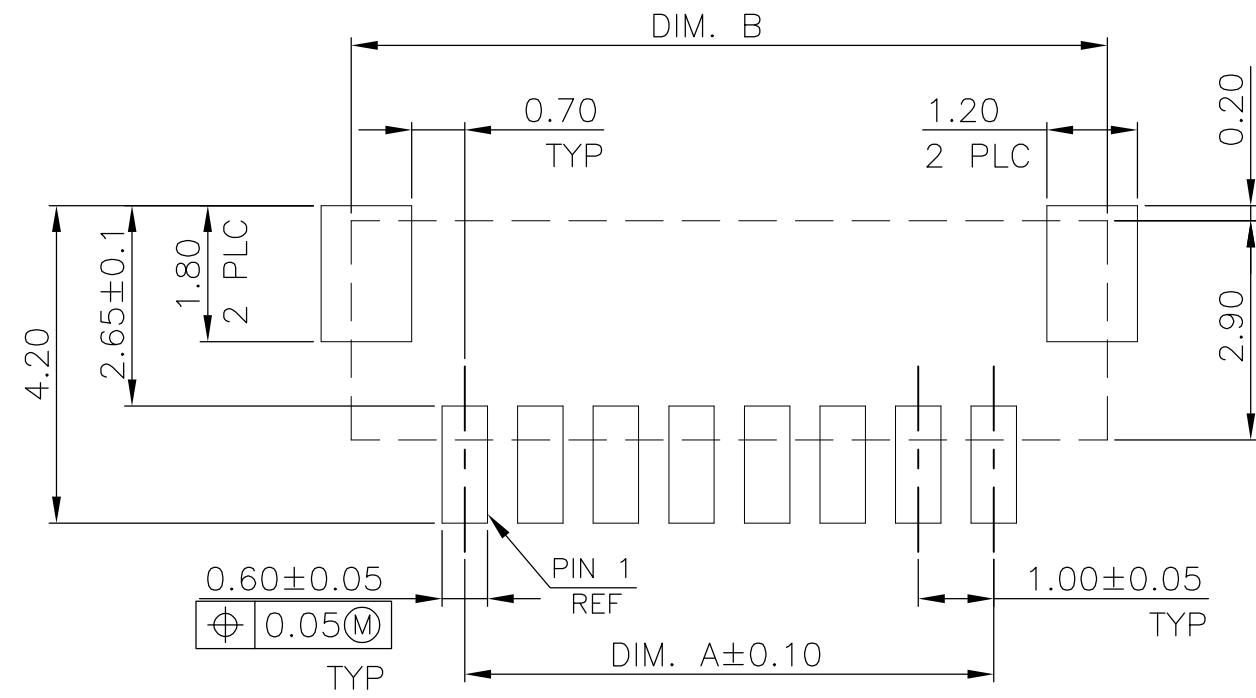
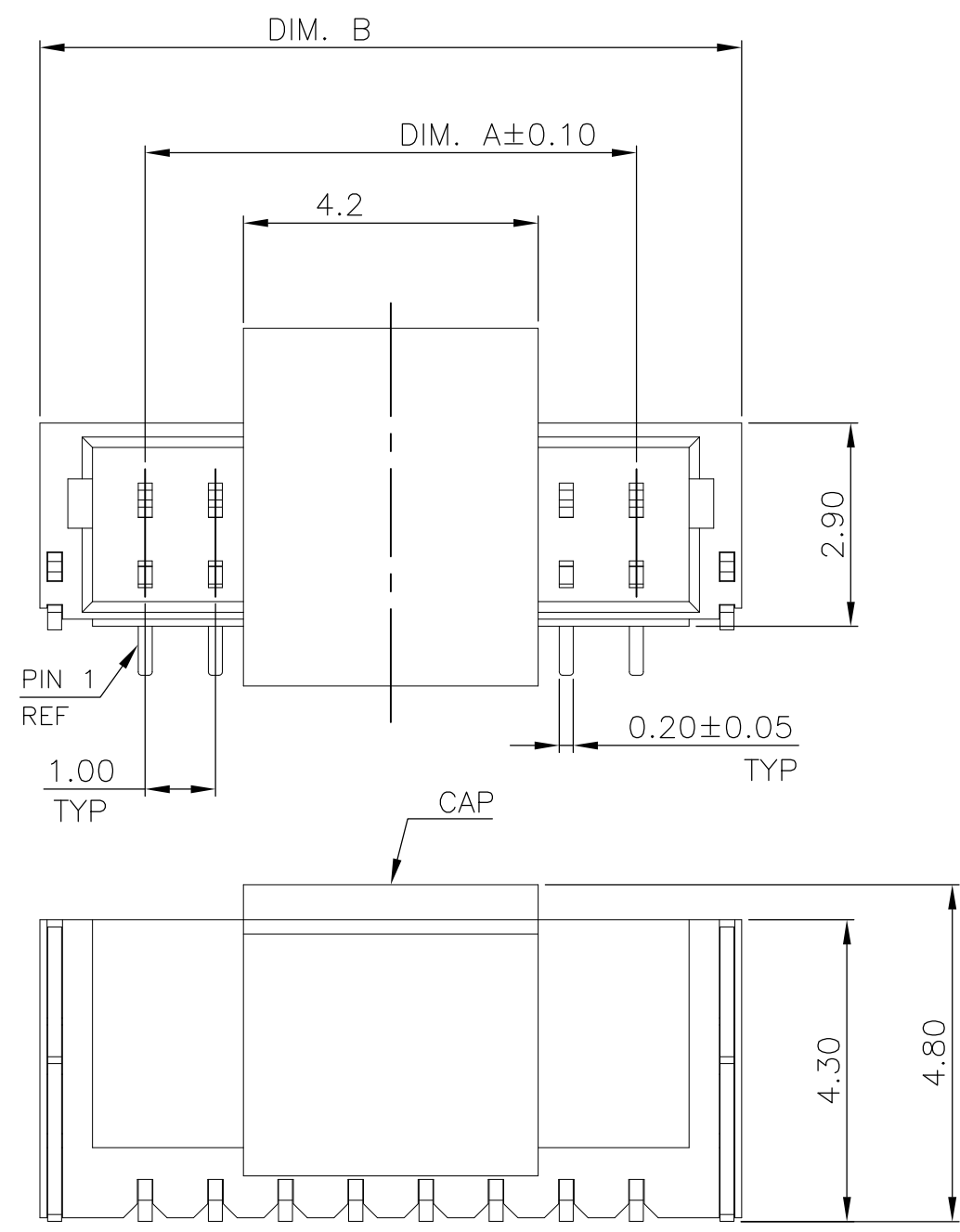
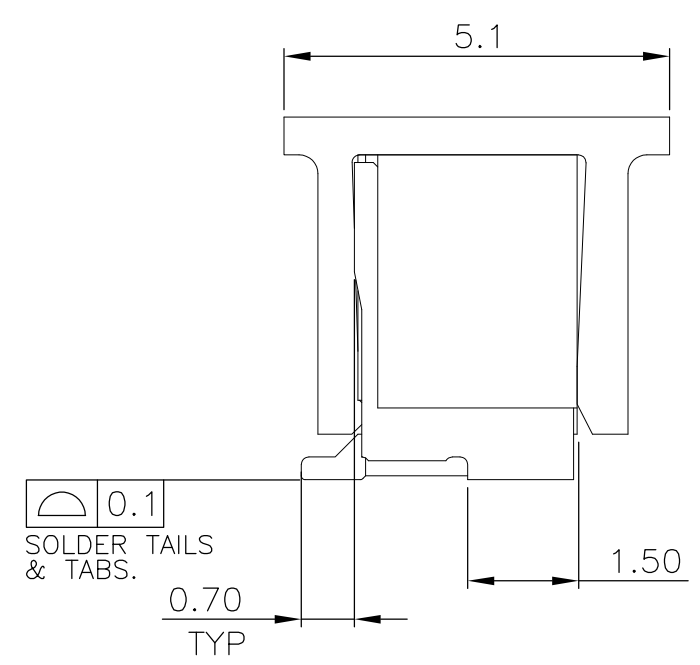


THIS DRAWING IS UNPUBLISHED. RELEASED FOR PUBLICATION
 © COPYRIGHT BY ALL RIGHTS RESERVED.

LOC	DIST	REVISIONS					
DW	-	P	LTR	DESCRIPTION	DATE	DWN	APVD
			A4	REVISED PER ECO-11-005301	07MAR11	RK	HMR



RECOMMENDED PCB LAYOUT
 TOLERANCE: ±0.05



0.1
 SOLDER TAILS & TABS.

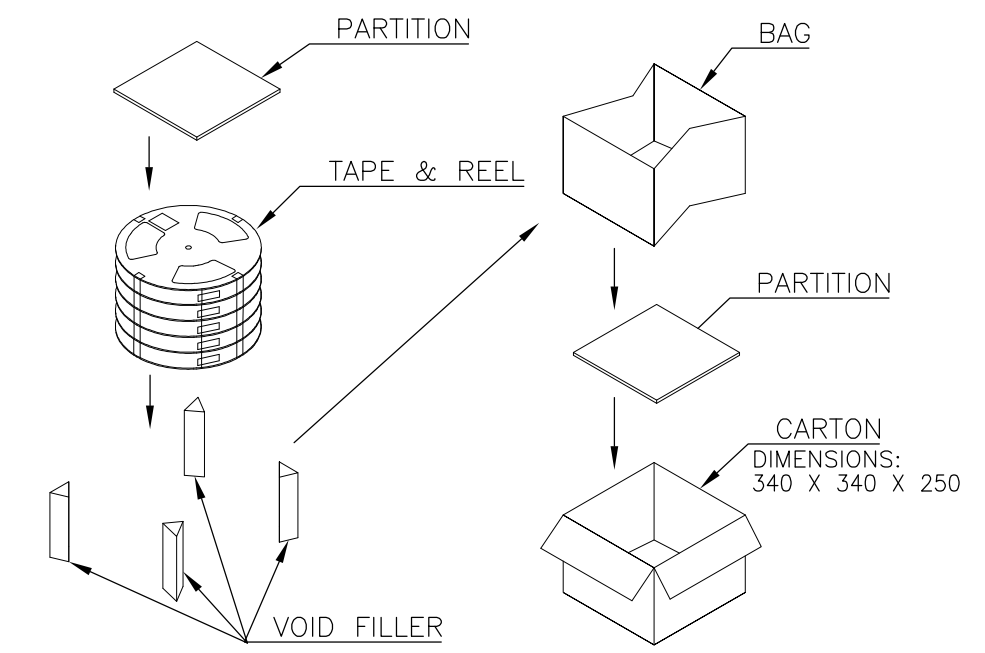
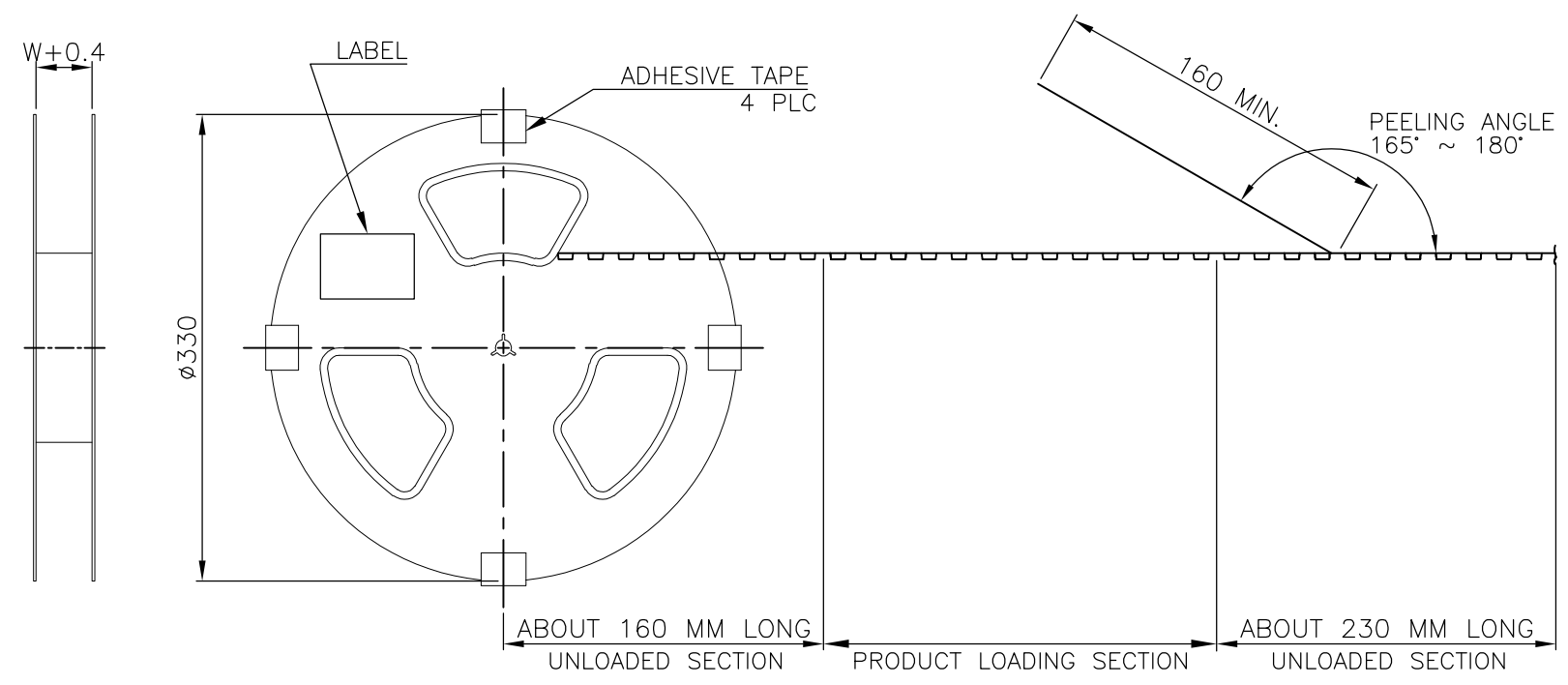
0.28g	17.3	14.00	15	1-1734595-5
0.27g	16.3	13.00	14	1-1734595-4
0.26g	15.3	12.00	13	1-1734595-3
0.25g	14.3	11.00	12	1-1734595-2
0.24g	13.3	10.00	11	1-1734595-1
0.22g	12.3	9.00	10	1-1734595-0
0.21g	11.3	8.00	9	1734595-9
0.20g	10.3	7.00	8	1734595-8
0.19g	9.3	6.00	7	1734595-7
0.18g	8.3	5.00	6	1734595-6
0.16g	7.3	4.00	5	1734595-5
0.15g	6.3	3.00	4	1734595-4
0.14g	5.3	2.00	3	1734595-3
0.12g	4.3	1.00	2	1734595-2
WEIGHT	B	A	NO. OF CONTACTS	PART NUMBER
	DIMENSIONS			

- NOTE:
- MATERIAL:
 HOUSING: THERMOPLASTIC (PA9T) WITH 33% GF, UL 94V-0, IVORY COLOR.
 CAP: THERMOPLASTIC (PA9T) WITH 33% GF, UL 94V-0, BLACK COLOR.
 CONTACTS: PHOSPHOR BRONZE.
 BOARDLOCKS: BRASS.
 - FINISH:
 CONTACTS: 3.05µm [120µ"] MIN. MATTE-TIN OVER 1.27µm [50µ"] MIN. NICKEL PLATED.
 TABS: 3.05µm [120µ"] MIN. MATTE-TIN OVER 1.27µm [50µ"] MIN. NICKEL PLATED.
 - REFLOW SOLDER CAPABLE TO 260°C PER TE CONNECTIVITY TEST SPEC. 109-201, CONDITION B.

THIS DRAWING IS A CONTROLLED DOCUMENT.		DWN	H. HUANG	22MAR2007	STE TE Connectivity				
		CHK	S. HOU	22MAR2007					
DIMENSIONS: MM		TOLERANCES UNLESS OTHERWISE SPECIFIED:			NAME				
		0 PLC	± 0.50	108-57264	1.00MM PITCH WIRE TO BOARD CONNECTOR, HEADER, SMT, VERTICAL TYPE.				
		1 PLC	± 0.38		QUALIFICATION TEST REPORT				
2 PLC	± 0.25	501-57283							
3 PLC	± 0.10	SIZE	CAGE CODE		DRAWING NO	RESTRICTED TO			
4 PLC ANGLES	± - ± -	WEIGHT	SEE TABLE		A3	00779	©=1734595		
MATERIAL	SEE NOTE	FINISH	SEE NOTE	CUSTOMER DRAWING			SCALE	SHEET	REV
				-		1 OF 2		A4	

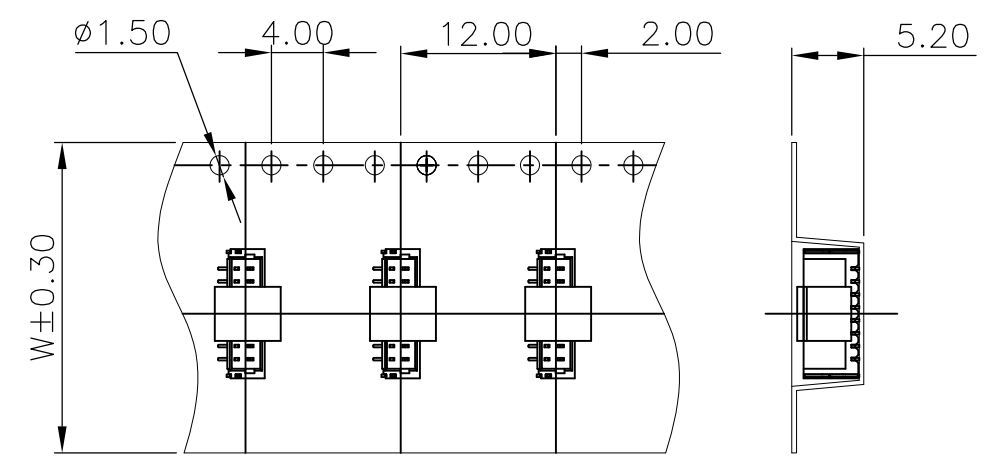
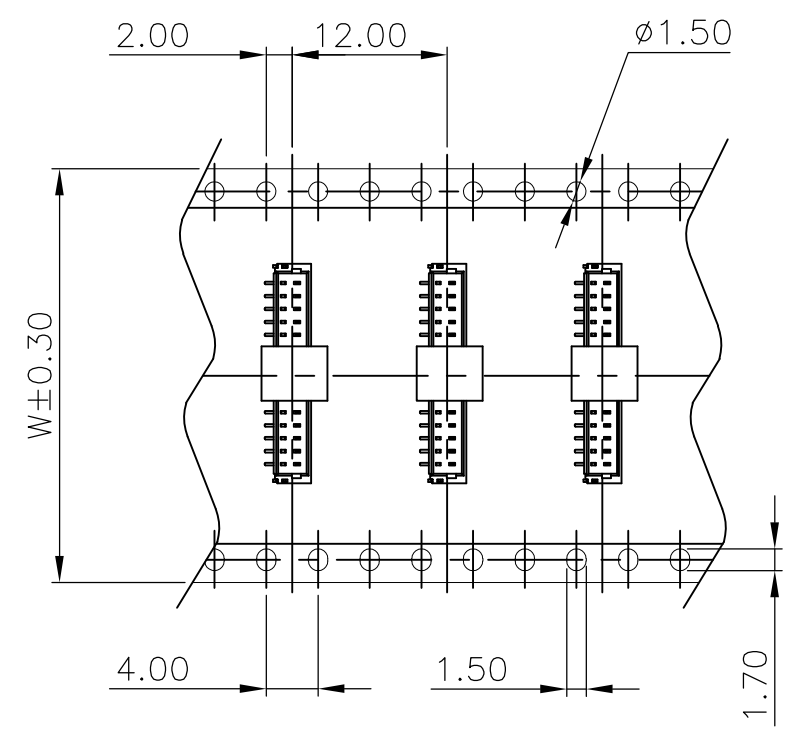
THIS DRAWING IS UNPUBLISHED. RELEASED FOR PUBLICATION
 © COPYRIGHT - BY - ALL RIGHTS RESERVED.

LOC	DIST	REVISIONS					
DW	-	P	LTR	DESCRIPTION	DATE	DWN	APVD
		-		SEE SHEET 1.	-	-	-



TOP OF TAPE

TOP OF TAPE



1000	32	6	6000	5.29	1.70	15
				5.41	1.93	14
				5.32	1.84	13
				5.23	1.75	12
	24	7	7000	5.14	1.66	11
				5.05	1.57	10
				4.96	1.48	9
				4.87	1.39	8
				4.78	1.30	7
		16	10	10000	6.16	1.76
			6.03	1.63	5	
			5.90	1.50	4	
			5.77	1.37	3	
			5.64	1.24	2	

CARRIER FOR 15 PIN

CARRIER FOR 2 TO 14 PIN

THIS DRAWING IS A CONTROLLED DOCUMENT.		DWN	A. WU	22MAR2007
DIMENSIONS: MM		CHK	S. HOU	22MAR2007
TOLERANCES UNLESS OTHERWISE SPECIFIED:		APVD	W.J. KE	22MAR2007
0 PLC	± -	PRODUCT SPEC	-	-
1 PLC	± -	APPLICATION SPEC	-	-
2 PLC	± -	WEIGHT	-	-
3 PLC	± -	CUSTOMER DRAWING	-	-
4 PLC	± -			
ANGLES	± -			
FINISH	-			

PCS/TAPE	DIM W	REELS/CARTON	QUANTITY (PCS)	G/W (Kg)	N/W (Kg)	NO. OF CONTACTS
NAME: 1.00MM PITCH WIRE TO BOARD CONNECTOR, HEADER, SMT, VERTICAL TYPE.						
SIZE	CAGE CODE	DRAWING NO	RESTRICTED TO			
A3	00779	C=1734595	-			
SCALE			SHEET	REV		
-			2 OF 2	A4		

Mouser Electronics

Authorized Distributor

Click to View Pricing, Inventory, Delivery & Lifecycle Information:

[TE Connectivity:](#)

[1-1734595-5](#)