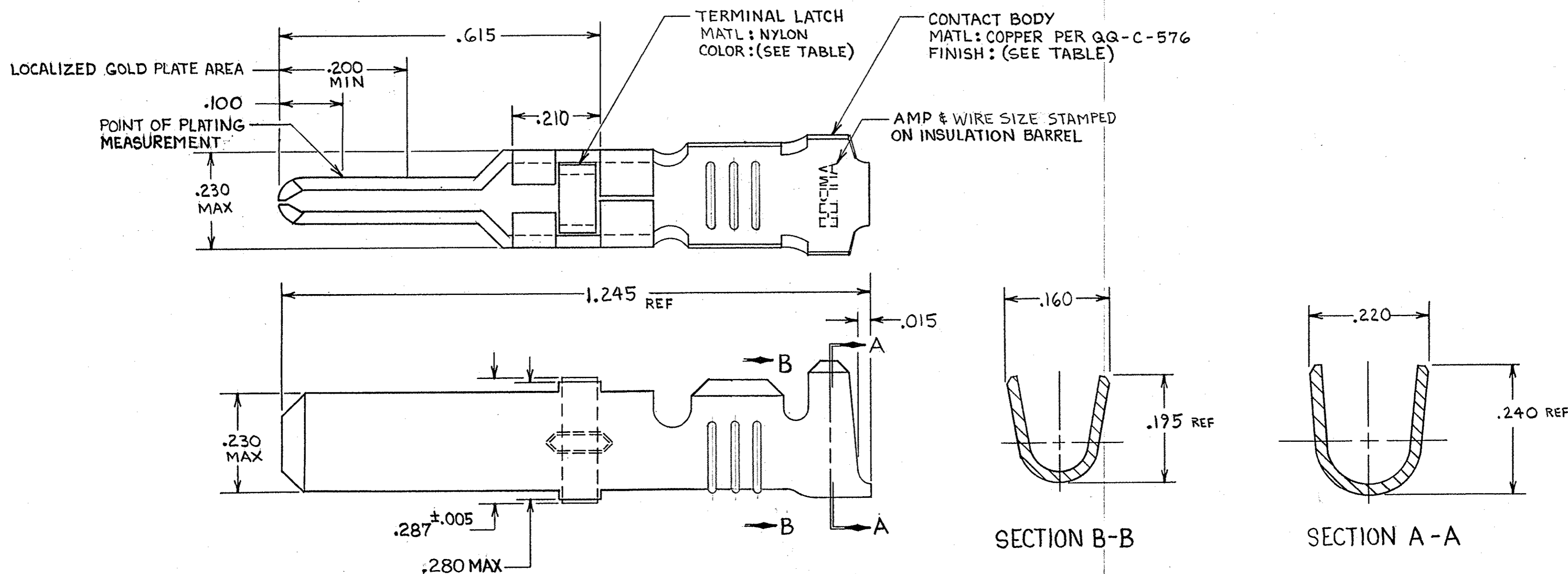


THIS DRAWING IS UNPUBLISHED. RELEASED FOR PUBLICATION

© COPYRIGHT BY

REVISIONS						
P	F	ZONE	LTR	DESCRIPTION	DATE	APPROVED
			Y1	REVISED PER ECO-11-005294	07APR11	HMR



- 1. REELED FOR USE WITH STANDARD APPLICATORS.
- 2. REELED FOR USE WITH HEAVY DUTY MINI-APPLICATORS.
- 3. PLATED WITH .000100 MIN SILVER PER QQ-S-365.
- 4. PLATED WITH .000015 MIN GOLD PER MIL-G-45204 IN THE LOCALIZED GOLD PLATE AREA, GOLD FLASH ON THE REMAINDER, OVER .000030 MIN NICKEL PER QQ-N-290.
- 5. PLATED WITH .000030 MIN GOLD PER MIL-G-45204 IN THE LOCALIZED GOLD PLATE AREA, GOLD FLASH ON THE REMAINDER, OVER .000030 MIN NICKEL PER QQ-N-290.
- 6. PLATED WITH .000050 MIN 93-7% TIN-LEAD ALLOY OVER .000030 MIN NICKEL PER QQ-N-290.
- 7. WIRE RANGE = 12-16 AWG.
- 8. INSULATION RANGE = .140-.165 DIA.
- 9. PLATED TIN (NO LEAD) .000050 MIN THK PER ASTM-B-545 OVER NICKEL .000050 MIN THK PER QQ-N-290.

TERMINAL LATCH COLOR	FINISH	STRIP ASS'Y P/N REF	STRIP ASS'Y P/N REF	LOOSE PIECE P/N ASS'Y
BLACK	3	1-66255-2	1-66255-1	66261-5
NATURAL	3	66255-8	66255-7	66261-4
BLACK	4	66255-4	66255-1	66261-3
BLACK	5	66255-6	66255-2	66261-2
BLACK	6	66255-5	66255-1	66261-1

UNLESS OTHERWISE SPECIFIED DIMENSIONS ARE IN INCHES. TOLERANCES ON: DECIMALS ±.010 ANGLES ±	CONTRACT NO			
	MATERIAL	DR. <i>Rick Redbaugh</i> 9-27-85 CHK. <i>Larry G. Lawner</i> 10-1-85 APPD. <i>B. D. Boland</i> 10-1-85 APPD. <i>Kenis E. Smith</i> 10-3-85		
SEE CALLOUT	FINISH	SEE DASH NO	NAME MALE TYPE XII CONTACT LOOSE PIECE ASS'Y	
			SIZE C	FSCM NO 00779
			DRAWING NO 66261	
			SCALE NTS	SHEET

# Mouser Electronics

Authorized Distributor

Click to View Pricing, Inventory, Delivery & Lifecycle Information:

[TE Connectivity:](#)

[66261-2](#)