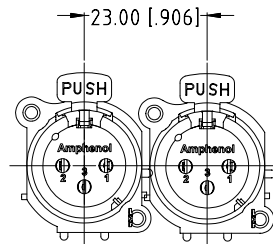
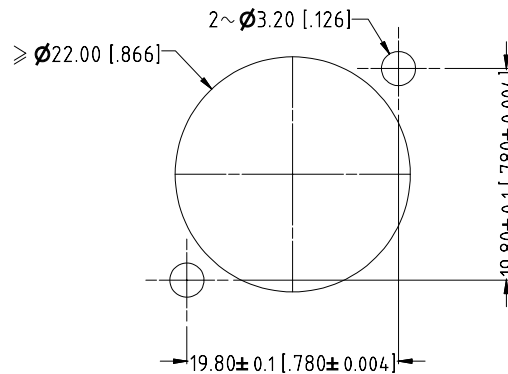


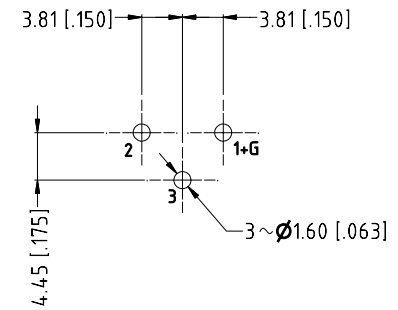
**ISO VIEW**  
SCALE 1:1



**MIN MOUNTING PITCH**  
SCALE 1:1



**PANEL CUT OUT**  
REAR VIEW



**PCB LAYOUT**  
COMPONENT SIDE  
TOLERANCE: ± 0.05mm [0.02]

UNLESS OTHERWISE SPECIFIED TOLERANCE TO BE		THIS DOCUMENT IS THE PROPERTY OF AMPHENOL AUSTRALIA PTY. LTD. NO PART THEREOF MAY BE REPRODUCED AND USED WITHOUT THE PRIOR WRITTEN CONSENT OF THE OWNER				1	UPDATE FROM CUSTOMER DRAWING ADD PAGE 1 OF 2 FOR ASSEMBLY DRAWING	L.V	12-06-03	8185
LINEAR	ANGULAR					0	FIRST ISSUE	L.V	28-12-00	----
X ± 0.5	X' ± 1					REV.	CHANGE DETAILS	BY	DATE	CHG/No
XX ± 0.1	XX' ± 30'	CAD FILE: 55010022000221	DRN: L.V	DATE: 28-12-00	TITLE: AC3FAV1-AU A-TYPE VERTICAL CUSTOMER DWG					
XXX ± 0.05	XXX' ± 15'	MATL: SEE COMPONENT	CKD: M.N.H	DATE: 20-06-03						
DO NOT SCALE	FINISH: SEE COMPONENT	APP'D: P.M	DATE: 30-06-03							
DIMENSIONS IN MILLIMETRES		THIRD ANGLE PROJECTION		SCALE: 2:1 UOS	PART No: 55010022-000	SIZE: A3	DRAWING NO. 55010022-000-2		SHEET 2/2	

**Amphenol**  
Amphenol Australia Pty Ltd, 2 Finemays Blvd, Keysborough, Vic3173

# Mouser Electronics

Authorized Distributor

Click to View Pricing, Inventory, Delivery & Lifecycle Information:

[Amphenol:](#)

[AC3FAVL-AU-B](#) [AC3FAV1-AU-B](#) [AC3FAV2-AU-B](#) [AC3FAV3-AU-B](#)