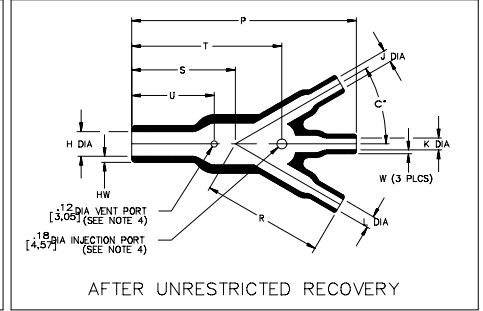
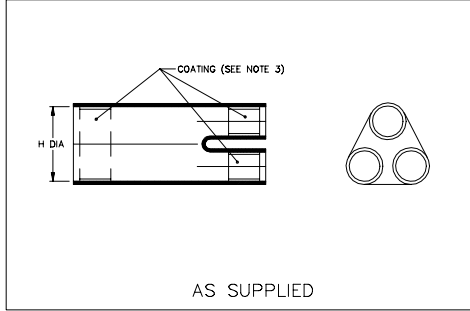


Thermofit[®] Molded Parts
 Specification Control Drawing
 Limited Distribution

Part Number : 462A011 thru 046-25/225
 Description : Transition, 1 to 3 Cables

NOTES

- All dimensions are in $\frac{\text{inches}}{\text{[millimeters]}}$; $\frac{\text{lbs}}{\text{[gms]}}$
- Dimensions appearing in table are as follows:
 a - As Supplied
 b - After Unrestricted Recovery
- Coating is optional. As supplied dimensions appearing in table are for uncoated parts. When coating is added, entry diameters will be reduced by .06 max.
- Molding ports are optional. When -00 modification number is specified molding ports will be located as shown.



PART NUMBER	H		J,K & L		P	R	S	T	U	HW	W	C
	Min a	Max b	Min a	Max b								
462A011	.52 [13,2]	.26 [6,6]	.26 [6,6]	.14 [3,6]	1.82 [46,2]	1.00 [25,4]	.82 [20,8]	1.20 [30,5]	.62 [15,7]	.06 [1,52]	.04 [1,02]	30°
462A023	1.06 [26,9]	.52 [13,2]	.52 [13,2]	.27 [6,9]	3.67 [93,2]	1.98 [50,3]	1.69 [42,9]	2.25 [57,2]	1.30 [33,0]	.10 [2,54]	.06 [1,52]	30°
462A034	1.52 [38,6]	.74 [18,8]	.76 [19,3]	.38 [9,7]	5.32 [135,1]	2.90 [73,7]	2.42 [61,5]	3.50 [88,9]	1.80 [45,7]	.12 [3,05]	.07 [1,78]	30°
462A046	2.19 [55,6]	1.00 [25,4]	1.06 [26,9]	.49 [12,4]	7.56 [192,0]	4.06 [103,1]	3.50 [88,9]	4.80 [121,9]	2.80 [71,1]	.18 [4,57]	.12 [3,05]	30°

If this document is printed it becomes uncontrolled.
 Check for the latest revision.

Raychem

RAYCHEM CORPORATION
 300 CONSTITUTION DRIVE
 MENLO PARK, CALIFORNIA 94025

Revision : A
 Date : 10/07/93

Part Number : 462A011 thru 046-25/225
 Description : Transition, 1 to 3 Cables

Thermofit[®] Molded Parts
 Specification Control Drawing
 Limited Distribution

Part Number : 462A011 thru 046-25/225
 Description : Transition, 1 to 3 Cables

MATERIAL DASH NO.	MATERIAL DESCRIPTION	RT SPEC	COATING SLASH NO.	COATING S NO.	COATING DESCRIPTION
-25	Elastomer, Fluid Resistant	RT-1325	/225	S-1206	Adhesive

ORDERING INFORMATION

462A0XX -25 -XX /225

Base part number _____

Material dash number _____
 (See Compatability Chart)

Modification number _____
 (If necessary, see front of scd binder for a complete list)

Adhesive slash number _____
 (If necessary, see Compatability Chart)

THIS DRAWING IS SUBJECT TO CHANGE WITHOUT NOTICE; CONSULT YOUR NEAREST FIELD REPRESENTATIVE FOR CURRENT REVISION

Raychem

RAYCHEM CORPORATION
 300 CONSTITUTION DRIVE
 MENLO PARK, CALIFORNIA 94025

Revision : A
 Date : 10/07/93

Part Number : 462A011 thru 046-25/225
 Description : Transition, 1 to 3 Cables

Mouser Electronics

Authorized Distributor

Click to View Pricing, Inventory, Delivery & Lifecycle Information:

[TE Connectivity:](#)

[462A046-25/225-0](#)