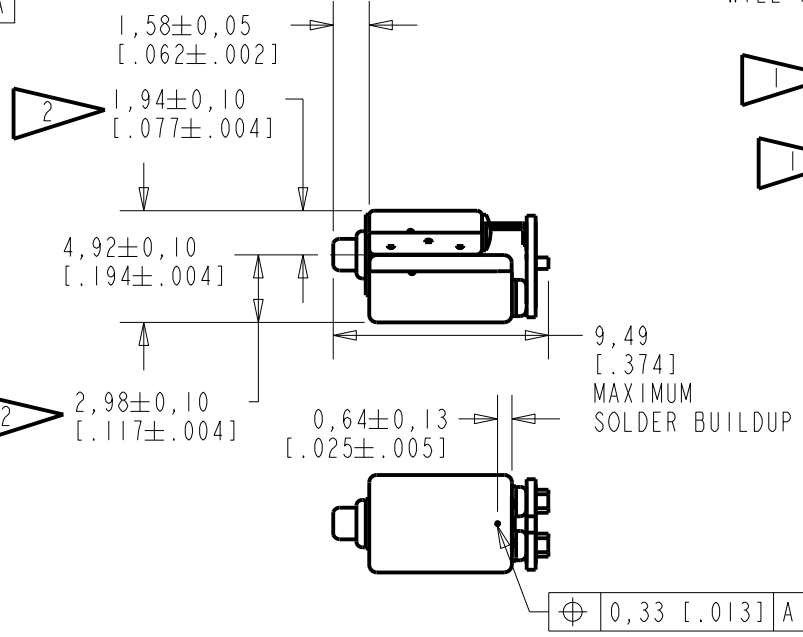
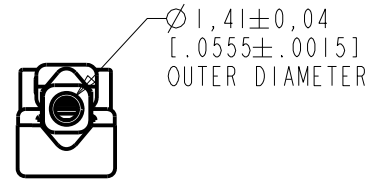
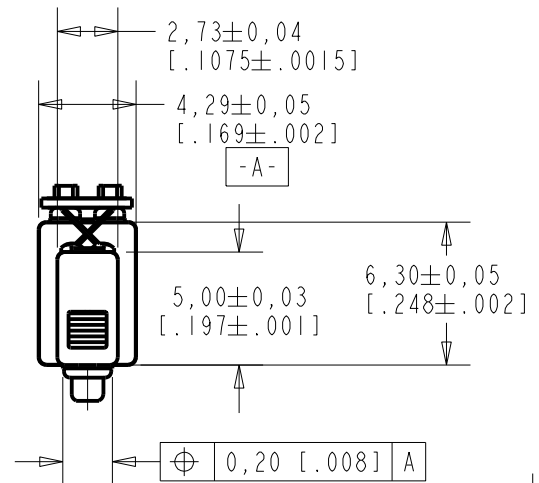
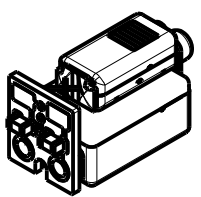
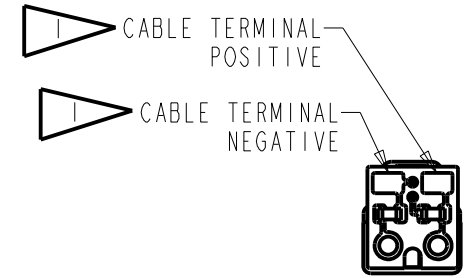


GO-30710-000
SHT 1.1



NOTES:

- 1 A POSITIVE GOING VOLTAGE AT THE POSITIVE TERMINAL RELATIVE TO THE NEGATIVE TERMINAL CAUSES A DECREASE IN PRESSURE AT THE SOUND OUTLETS.
- 2 LOCATED FROM TWO SURFACES FOR CUSTOMER CONVENIENCE. ONLY APPLICABLE FROM ONE SURFACE, NOT TO BE USED TOGETHER.
- 3 IT IS IMPORTANT TO KEEP HOLE CLEAN AND CLEAR AT ALL TIMES. CLOGGING THE HOLE WILL CAUSE PERFORMANCE CHANGES.



NOMINAL WEIGHT
.43 GRAM

DIMENSIONS IN MILLIMETERS [INCHES]

KNOWLES ELECTRONICS
ITASCA, ILLINOIS U.S.A.

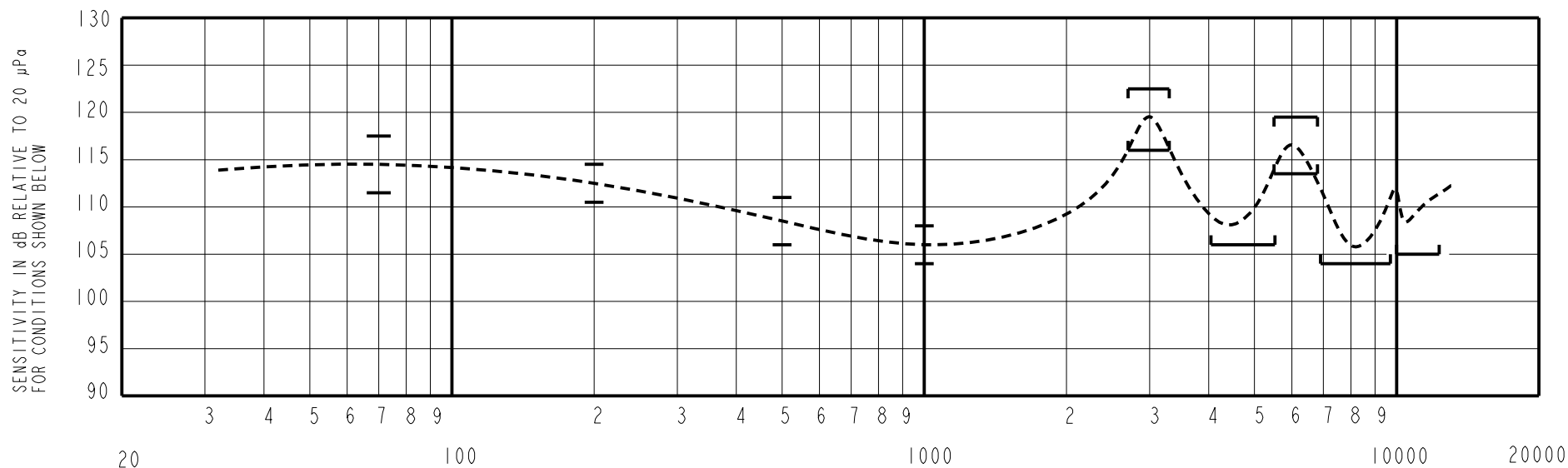
| Revision | C.O. # | Implementation Date | RELEASE LEVEL | REVISION |
|------------------------|-----------|---------------------|---------------------|----------|
| B | C10112167 | 2-18-11 | Active | B |
| A | C1011210 | 6-11-10 | | |
| SCALE: 3:1 | | | | |
| DO NOT SCALE DRAWING | | | DR. BY | DATE |
| TITLE: RECEIVER | | | LSY | 6-11-10 |
| | | | GO-30710-000 | |
| OUTLINE DRAWING | | | GJP | 6-17-10 |
| | | | SHT 1.1 | |
| | | | GJP | 6-17-10 |

UNDAMPED MAGNETIC BALANCED ARMATURE RECEIVERS INTENDED FOR USE AS THE HIGH AND LOW FREQUENCY DRIVERS IN A Hi Fi SYSTEM. THE GO RECEIVER COMBINES A WBFK AND ED RECEIVERS COUPLED THROUGH A CIRCUIT TO PROVIDE THE RESPONSE SHAPE.

NO DAMPING

GO-30710-000
SHEET 2.1

CONSTANT VOLTAGE DRIVE CONDITIONS
TESTED WITH VENT UNSEALED



ACOUSTICAL

SENSITIVITY
DEVICE WILL PRODUCE THE SPL LISTED BELOW UNDER TEST CONDITION IN TABLE 2.
NOMINAL SENSITIVITY AT 1kHz IS dB RELATIVE TO 20 µPa. ALL OTHER VALUES
IN dB RELATIVE TO THE SENSITIVITY AT 1kHz.

| FREQUENCY (Hz) | MINIMUM | NOMINAL | MAXIMUM |
|----------------|---------|---------|---------|
| 70 | +5.5 | +8.5 | +11.5 |
| 200 | +4.5 | +6.5 | +8.5 |
| 500 | 0.0 | +2.5 | +5.0 |
| 1000 | -2.0 | 106.0 | +2.0 |
| 2700 - 3300 | +10.5 | +13.5 | +16.5 |
| 4050 - 5450 | 0.0 | --- | --- |
| 5400 - 6800 | +7.5 | +10.5 | +13.5 |
| 6900 - 9600 | -7.0 | --- | --- |
| 10000 - 13000 | -6.0 | --- | --- |

TABLE 1

TEST CONDITIONS

| | |
|------------------------|---------------------------|
| NOMINAL SOURCE VOLTAGE | 0.146 V rms, 0 V DC BIAS |
| SOURCE IMPEDANCE | <1 Ohm |
| TUBING | 7 X 2 mm + 0.188cc CAVITY |
| COUPLER CAVITY | IEC 60318-4 ("711") |
| TEST STATION | FCART |

TABLE 2

ELECTRICAL

| | |
|--------------------|-----------------|
| DC RESISTANCE | 25.4 Ohms ± 10% |
| IMPEDANCE @ 500 Hz | 51.7 Ohms ± 15% |
| IMPEDANCE @ 1kHz | 90.0 Ohms ± 15% |

TABLE 3

MAXIMUM TOTAL HARMONIC DISTORTION
6% AT 1000 Hz AT 100 dB SPL

MECHANICAL

PORT LOCATION: 12S
SOLDER TYPE: SAC305 (LEAD FREE)

TEMPERATURE:
OPERATING: SENSITIVITY AT 1K Hz WILL NOT VARY
MORE THAN +1/-3 dB FROM 17°C TO 63°C.
STORAGE: -40°C TO 63°C.

ISOLATION: CASE WILL BE ELECTRICALLY ISOLATED FROM THE COIL CIRCUIT.

| Revision | C.O. # | Implementation Date | RELEASE LEVEL | REVISION |
|--|-----------|---------------------|---------------|----------|
| B | C10112167 | 2-18-11 | Active | B |
| A | C10111210 | 6-11-10 | | |
| WHEN TEST LIMITS ARE USED TO ESTABLISH INCOMING INSPECTION ACCEPTANCE/REJECTION CRITERIA, CORRELATION OF TEST EQUIPMENT WITH KNOWLES IS ALSO REQUIRED FOR ELIMINATION OF EQUIPMENT AND TEST METHOD VARIATION | | | DR. BY | DATE |
| TITLE: RECEIVER PERFORMANCE SPECIFICATION | | | LSY | 6-11-10 |
| | | | GO-30710-000 | |
| | | | GJP | 6-17-10 |
| | | | APP. BY | DATE |
| | | | GJP | 6-17-10 |
| | | | SHT 2.1 | |

KNOWLES ELECTRONICS
ITASCA, ILLINOIS U.S.A.

Mouser Electronics

Authorized Distributor

Click to View Pricing, Inventory, Delivery & Lifecycle Information:

[Knowles:](#)

[GQ-30710-000](#)