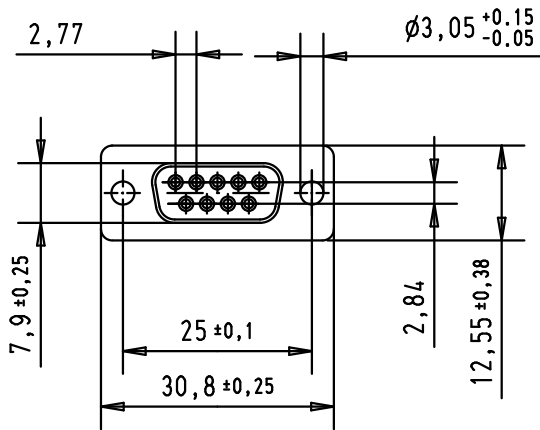
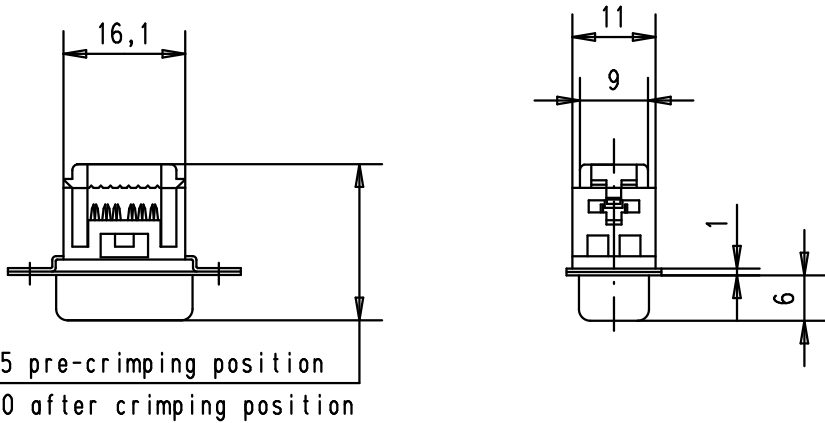
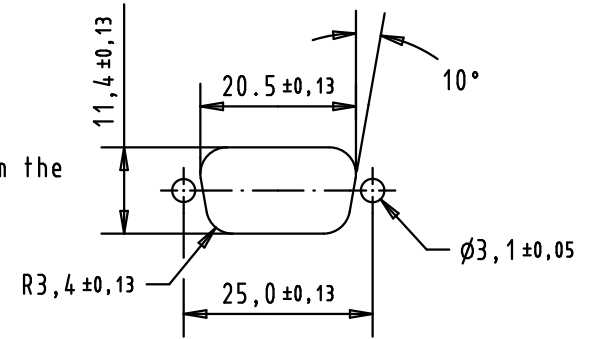


5 4 3 2 1

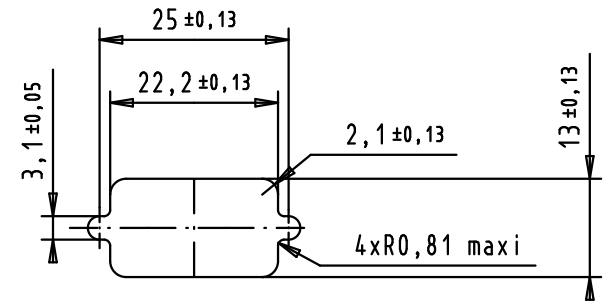


RECOMMENDED PANEL CUTOUT DIMENSIONS FOR REAR MOUNTING

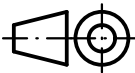

Values are taken from the CECC 75 301-802



RECOMMENDED PANEL CUTOUT DIMENSIONS FOR FRONT MOUNTING



1.27 mm pitch flat cable stranded, wire sizes : AWG 26 to 28

| | | | | | | | | | | | | |
|----------------|-------------------|---------|-----------|------|-------------------------------|-----------|------|--|--|---|--|----------------------------|
| 09 66 118 7500 | PL3 | | | | | | | | |  All Dim. in mm Orig. Size DIN A 4 | D-sub, female, 9 poles, straight, IDC, through holes | Maßstab/ Scale 1 : 1 |
| 09 66 118 6500 | PL2 | EC03837 | 26-SEP-11 | BH | Detail. | 09/07/01 | S.H. | | | | | |
| | | EC01902 | 20-MAY-10 | SC | Insp. | 26-SEP-11 | JB | | | | | |
| | | 29771 | 16-AVR-02 | CV | Stand. | | | | | | | |
| | | 29756 | 19-MAR-02 | CV | | | | | | | | |
| part number | performance level | 29697 | 09/07/01 | S.H. | HARTING EURL F-95972 Paris | | |  TB 0966 118 x500 | | Blatt/ Page 1 / 1 | | |
| | | Mod. | Dot. | Name | | | | Sub. | | | | |

Mouser Electronics

Authorized Distributor

Click to View Pricing, Inventory, Delivery & Lifecycle Information:

[HARTING:](#)

[09661186500](#) [09661187500](#)