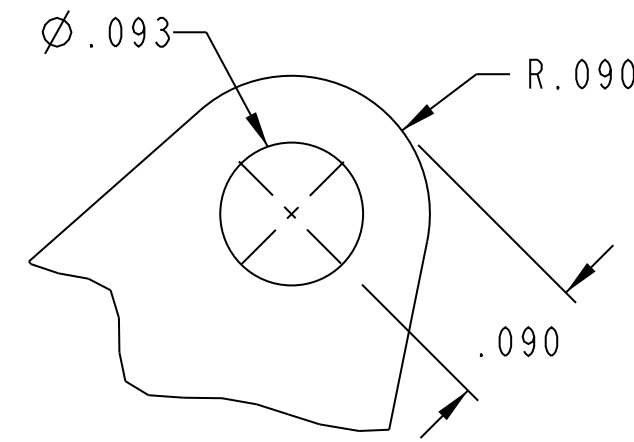
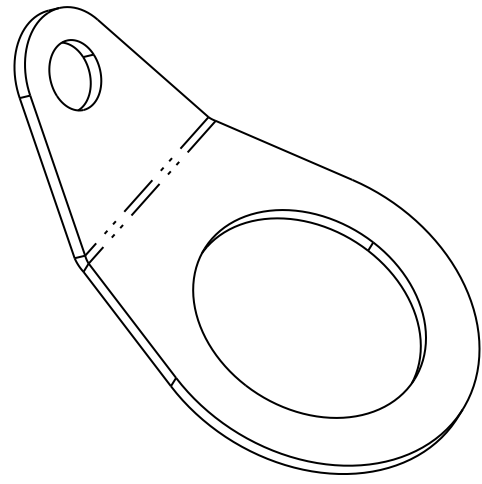
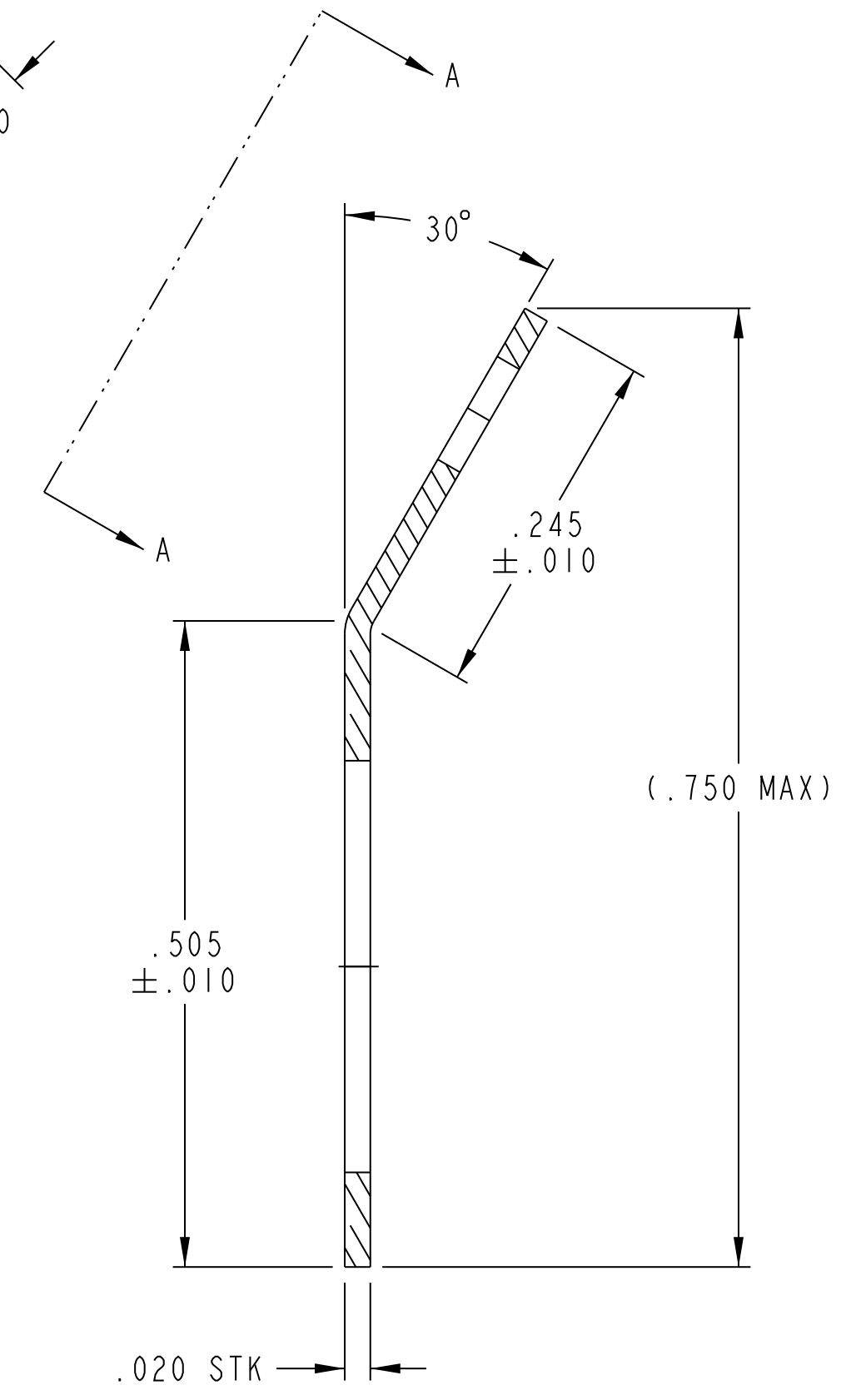
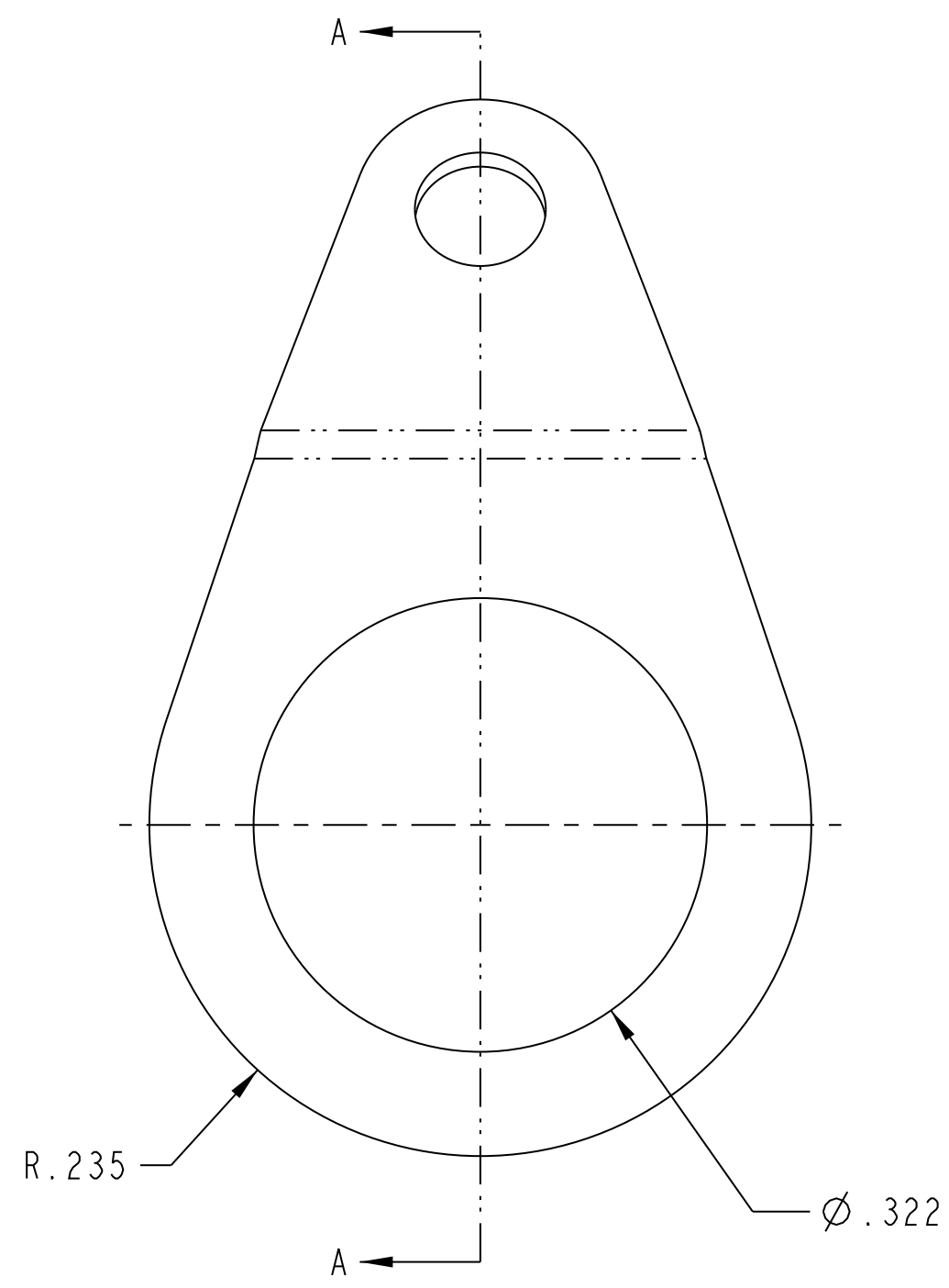


ZONE	REV	ECO	DESCRIPTION	APPROVER	DATE
	E	53583		C. MOHAHAN	8/12/11
	F	54061		C. MONAHAN	2/23/12



VIEW A-A



SECTION A-A

NOTES: UNLESS OTHERWISE SPECIFIED.

- 1 BRASS ALLOY C26000 OR C 2600
- 2. TFS-4
- 3 PLATING: 8-1570-XX
PER TFS-1 OR -U
FOR UNPLATED
- 3.1 SURFACE AREA: .3862 SQ IN

	MODEL NO.					
			CAGE CODE 14949	TITLE GROUND LUG		
<small>THIS PROPRIETARY DOCUMENT IS PROPERTY OF EMERSON NETWORK POWER CONNECTIVITY SOLUTIONS. IT IS CONFIDENTIAL IN NATURE, NON-TRANSFERABLE, AND ISSUED WITH A CLEAR UNDERSTANDING THAT IT IS NOT REPRODUCED OR COPIED WITHOUT PERMISSION AND IS RETURNABLE UPON DEMAND.</small>	<small>UNLESS OTHERWISE SPECIFIED UNITS: INCH .XX ± .01 .XXX ± .003 .XXXX ± .0010 ANGLE ± 3° 00'</small>	DRAWN BY C. WALLACE	DATE 3/22/12	DRAWING NO. 8-1570	REV. F	MATERIAL 1
		APPROVED BY C. MONAHAN	DATE 2/23/12	SIZE C	DO NOT SCALE DRAWING	SCALE 8:1
				SHEET 1 OF 1		

Mouser Electronics

Authorized Distributor

Click to View Pricing, Inventory, Delivery & Lifecycle Information:

[Cinch Connectivity Solutions:](#)

[8-1570-1E](#)