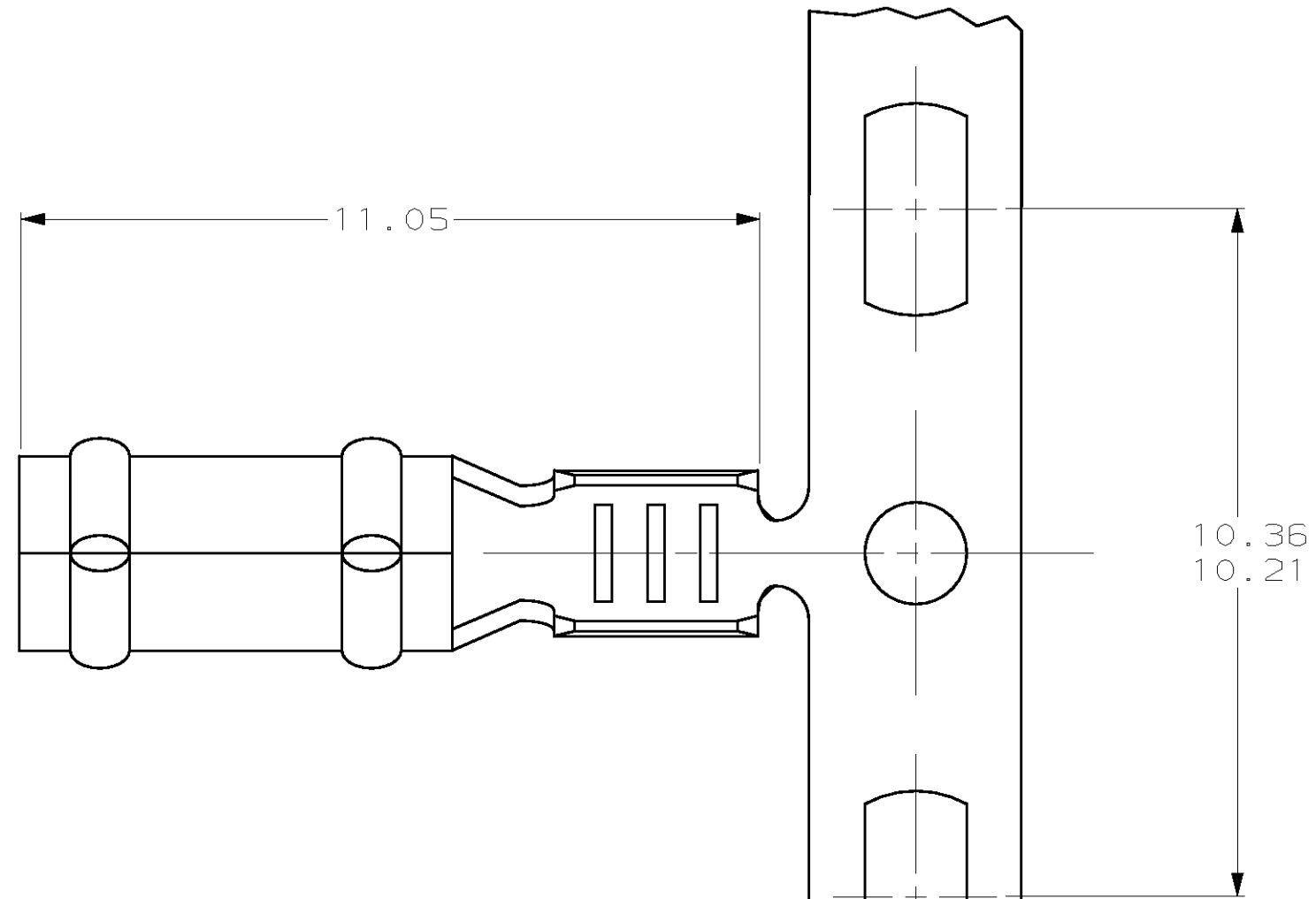


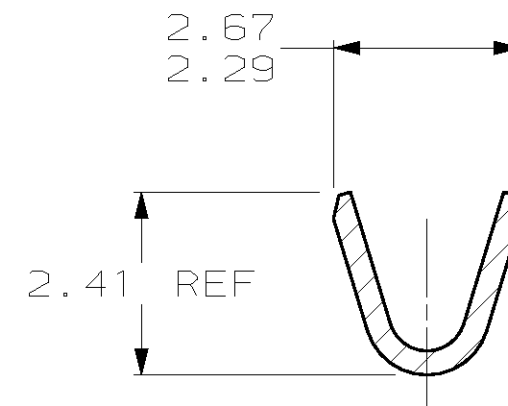
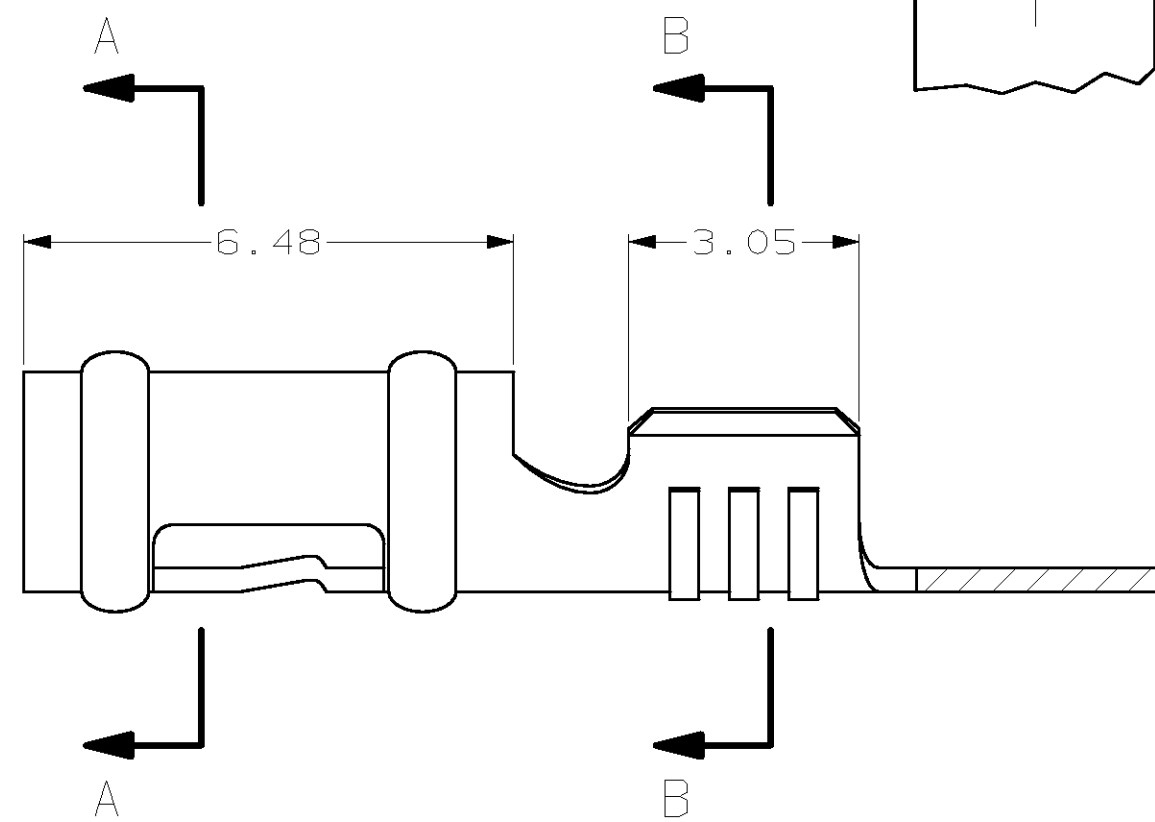
THIS DRAWING IS UNPUBLISHED. RELEASED FOR PUBLICATION .19  
 (C) COPYRIGHT 19 BY AMP INCORPORATED. ALL RIGHTS RESERVED.

LOC	DIST	REVISIONS			
P	LTR	DESCRIPTION	DATE	DWN	APVD
CM	52	G	REV PER EC 061B-0242-98	20-JAN-99	JH RS

1. WIRE RANGE: 0.3 - 0.9 MM<sup>2</sup> (22 - 18 AWG)



SECTION A-A



SECTION B-B

MINI	350015-2
STANDARD	350015-1
APPLICATOR	PART NUMBER

2.29	.090	2.67	.105	10.21	.402	-	-
0.32	.013	2.41	.095	6.48	.255	11.05	.435
0.13	.005	2.36	.093	3.05	.120	10.36	.408
MM	IN	MM	IN	MM	IN	MM	IN

CONVERSION TABLE

**METRIC**

THIS DRAWING IS A CONTROLLED DOCUMENT.

DWN	T. BECK	6-17-97
CHK	R. SWING	6-17-97
APVD	A. BEDDICK	8-22-97

AMP Incorporated  
Harrisburg, PA 17105-3608

RECEPTACLE, .093 DIAMETER,  
22-18 AWG, P.C. CONTACT

SIZE	A2	CAGE CODE	00779	DRAWING NO	C-350015	RESTRICTED TO	-
MATERIAL	0.32 PH BRZ	FINISH	PRE TIN	WEIGHT	-	SCALE	10:1
PRODUCT SPEC	108-1025	APPLICATION SPEC	114-1008	SHEET	1 OF 1	REV	G

CUSTOMER DRAWING

# Mouser Electronics

Authorized Distributor

Click to View Pricing, Inventory, Delivery & Lifecycle Information:

[TE Connectivity:](#)

[350015-1](#)