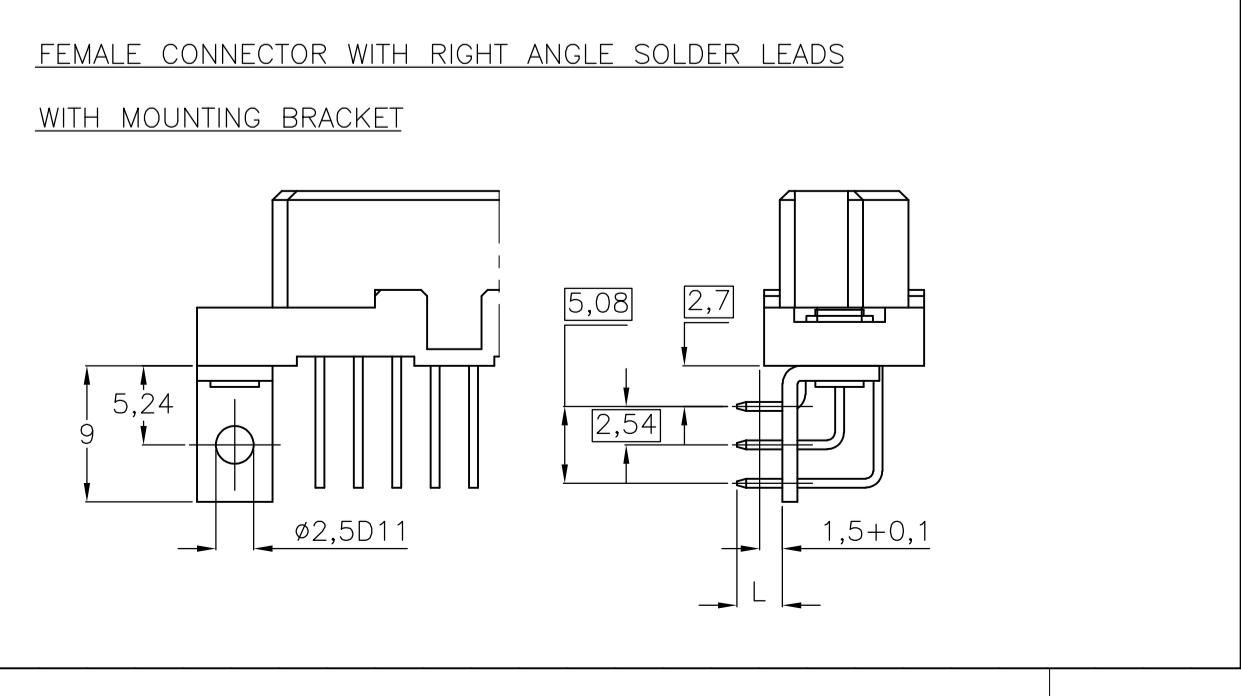
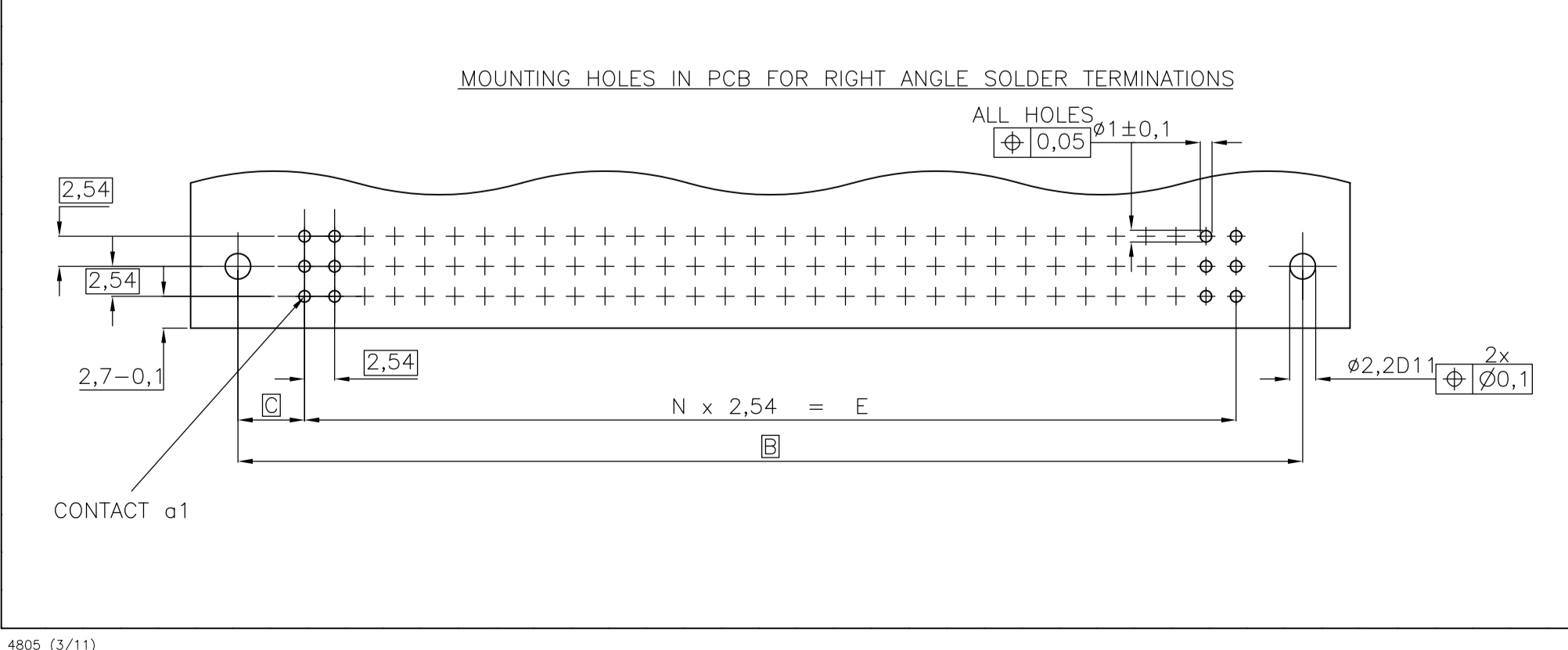
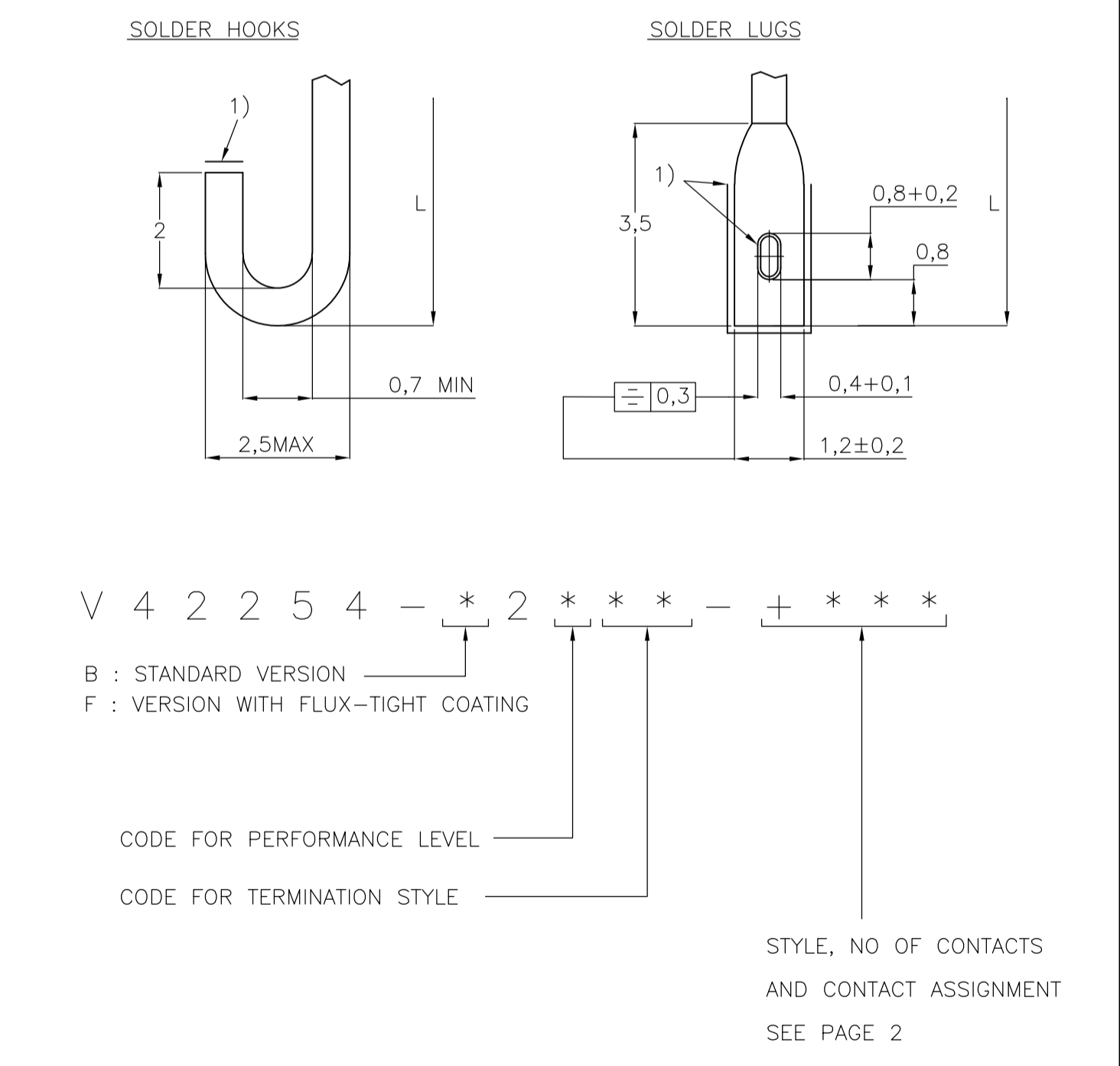
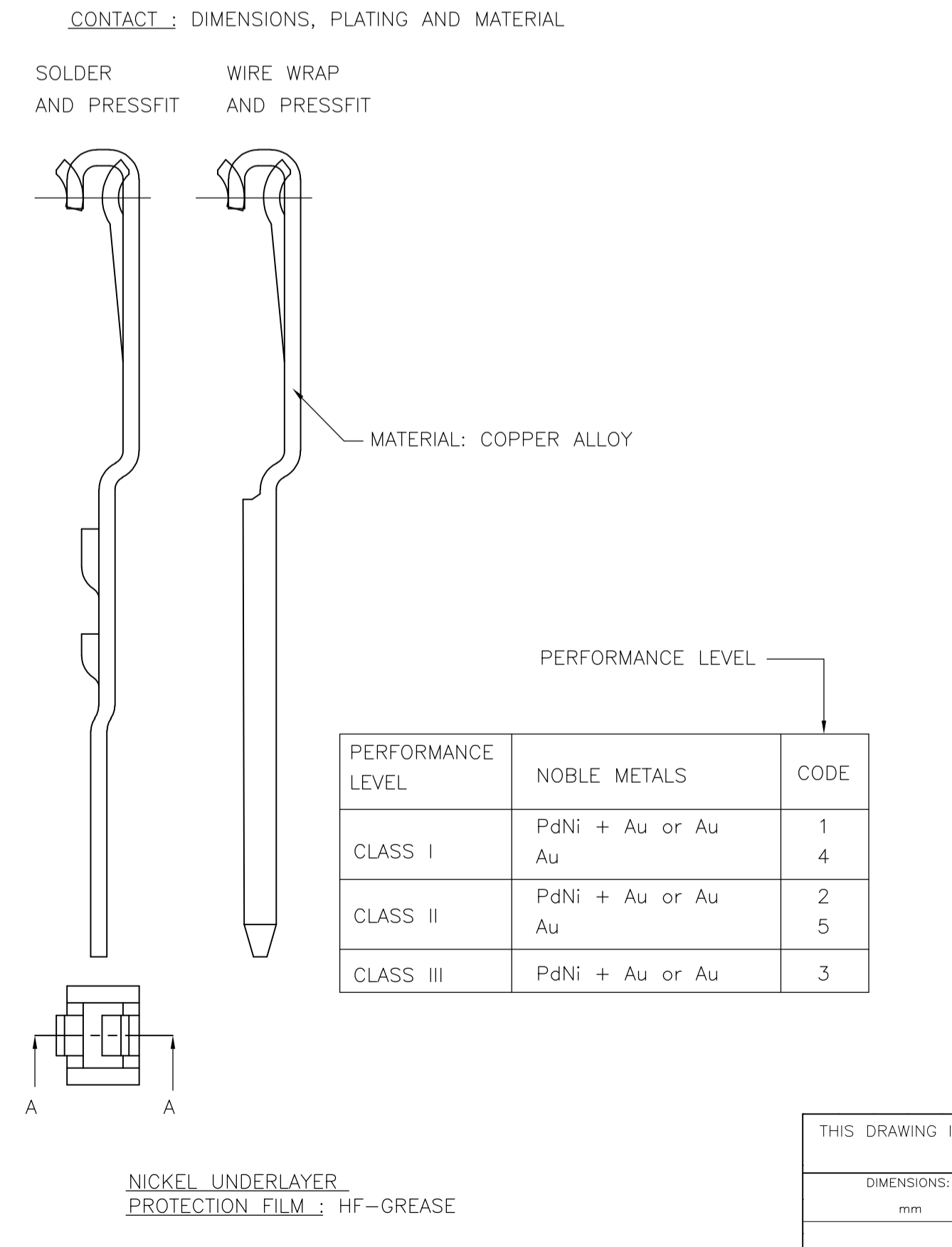
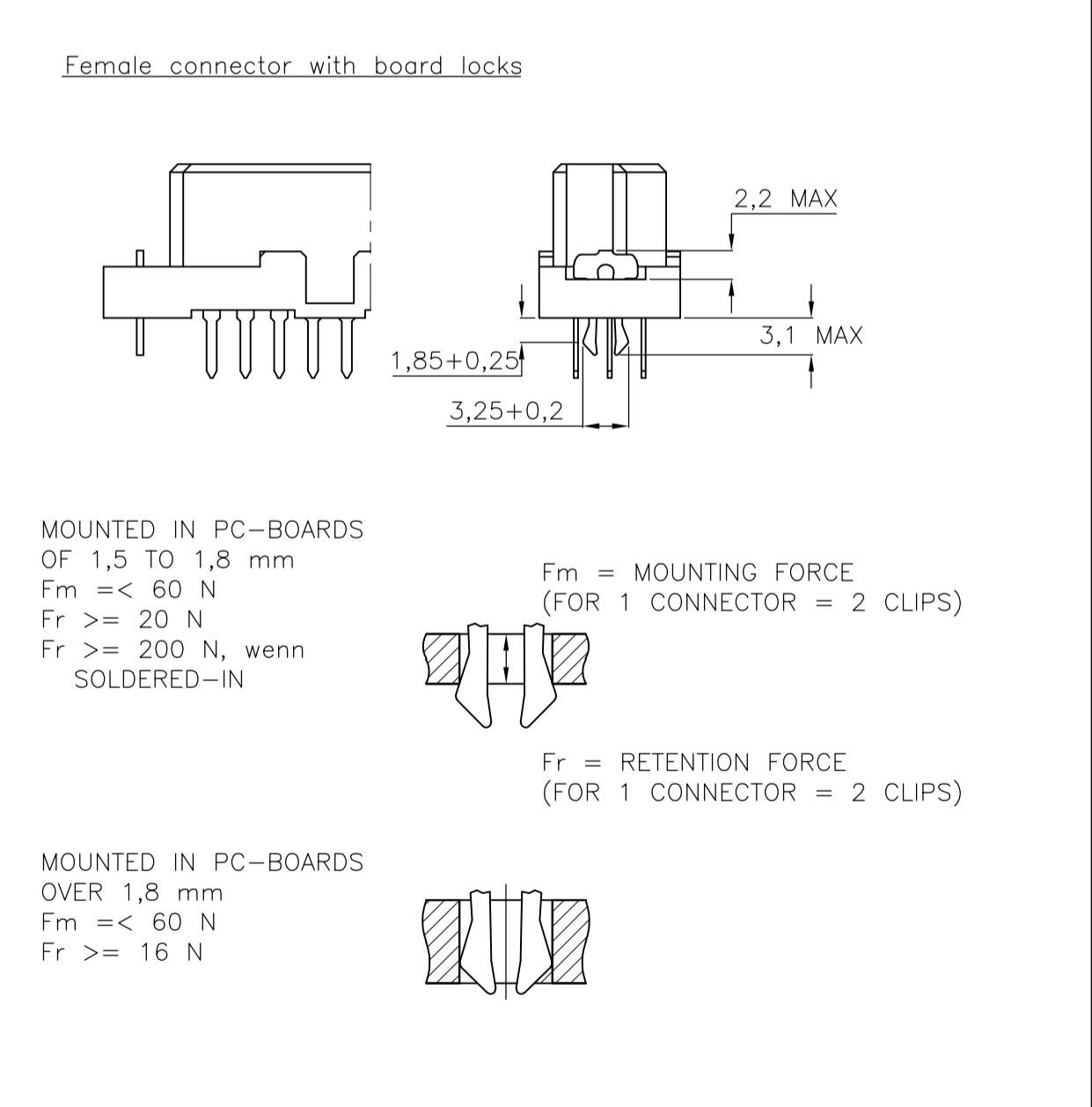


TERMINATION STYLE	TERMINATION	L	CODE
SOLDER	SOLDER	2,9±0,3	01
		3,7±0,3	05
		4,5±0,3	02
SOLDER	SOLDER	6±0,3	03
		7,3±0,3	04
		13±0,5	40
SOLDER	WIRE WRAP	5,5±0,3	30
		10±0,5	35
SOLDER	SOLDER	5,5±0,3	35
		10±0,5	35
SOLDER	SOLDER	1,55±0,4	00
		3±0,4	10
SOLDER	SOLDER	13±0,5	60
		17±0,5	61
		4±0,5	63
		13±0,5	66
		17±0,5	67
		6±0,5	69
		6±0,5	70



THIS DRAWING IS A CONTROLLED DOCUMENT.

DIN CUVIELIER 14FEB99

STE TE Connectivity

RECEPTACLE ASSEMBLY EUROCARD TYPES B,C AND SHORT VERSIONS (PN:V42254-B2***-C***-7626)

SIZE A1 CAGE CODE DRAWING NO. 00779 ©=1393640-1

CUSTOMER DRAWING SCALE NTS SHEET 1 OF 2 REV B11

PRODUCT DESCRIPTION CODE	TE PN	STYLE & NUMBER OF POSITIONS	TERMINATION POSTS	LOADED ROWS	PERFORMANCE LEVEL	BOARD LOCKS
V42254-B2100-C960	1393640-1	C96	RIGHT-ANGLE SOLDER LEADS	EVERY ROW , EVERY PITCH	1	NO
V42254-B2101-B640	1393640-4	B64	2,9mm STRAIGHT SOLDER LEADS	EVERY ROW , EVERY PITCH	1	NO
V42254-B2101-B645	1393640-5	B64	2,9mm STRAIGHT SOLDER LEADS	EVERY ROW , EVERY EVEN PITCH	1	NO
V42254-B2101-C300	1393640-6	C30	2,9mm STRAIGHT SOLDER LEADS	EVERY ROW , EVERY PITCH	1	NO
V42254-B2101-C480	1393640-7	C48	2,9mm STRAIGHT SOLDER LEADS	EVERY ROW , EVERY PITCH	1	NO
V42254-B2101-C483	1393640-8	C48	2,9mm STRAIGHT SOLDER LEADS	ROW A+C , EVERY PITCH	1	NO
V42254-B2101-C910	3-1392009-9	C96	2,9mm STRAIGHT SOLDER LEADS	EVERY ROW , EVERY PITCH	1	YES
V42254-B2101-C960	1393640-9	C96	2,9mm STRAIGHT SOLDER LEADS	EVERY ROW , EVERY PITCH	1	NO
V42254-B2101-C963	1-1393640-0	C96	2,9mm STRAIGHT SOLDER LEADS	ROW A+C , EVERY PITCH	1	NO
V42254-B2101-C968	1-1393640-1	C96	2,9mm STRAIGHT SOLDER LEADS	ROW A+C , EVERY EVEN PITCH	1	NO
V42254-B2102-B200	1-1393640-5	B20	4,5mm STRAIGHT SOLDER LEADS	EVERY ROW , EVERY PITCH	1	NO
V42254-B2102-B320	1-1393640-6	B32	4,5mm STRAIGHT SOLDER LEADS	EVERY ROW , EVERY PITCH	1	NO
V42254-B2102-B640	1-1393640-7	B64	4,5mm STRAIGHT SOLDER LEADS	EVERY ROW , EVERY PITCH	1	NO
V42254-B2102-B641	1-1393640-8	B64	4,5mm STRAIGHT SOLDER LEADS	ROW A , EVERY PITCH	1	NO
V42254-B2102-C303	2-1393640-0	C30	4,5mm STRAIGHT SOLDER LEADS	ROW A+C , EVERY PITCH	1	NO
V42254-B2102-C480	2-1393640-1	C48	4,5mm STRAIGHT SOLDER LEADS	EVERY ROW , EVERY PITCH	1	NO
V42254-B2102-C910	2-1393640-3	C96	4,5mm STRAIGHT SOLDER LEADS	EVERY ROW , EVERY PITCH	1	YES
V42254-B2102-C960	2-1393640-4	C96	4,5mm STRAIGHT SOLDER LEADS	EVERY ROW , EVERY PITCH	1	NO
V42254-B2102-C963	2-1393640-5	C96	4,5mm STRAIGHT SOLDER LEADS	ROW A+C , EVERY PITCH	1	NO
V42254-B2102-C968	2-1393640-6	C96	4,5mm STRAIGHT SOLDER LEADS	ROW A+C , EVERY EVEN PITCH	1	NO
V42254-B2103-B640	3-1393640-3	B64	6,3mm STRAIGHT SOLDER LEADS	EVERY ROW , EVERY PITCH	1	NO
V42254-B2103-C960	3-1393640-4	C96	6,3mm STRAIGHT SOLDER LEADS	EVERY ROW , EVERY PITCH	1	NO
V42254-B2104-C960	3-1393640-5	C96	7,3mm STRAIGHT SOLDER LEADS	EVERY ROW , EVERY PITCH	1	NO
V42254-B2110-B640	3-1393640-7	B64	RIGHT-ANGLE SOLDER LEADS WITH MOUNTING BRACKET	EVERY ROW , EVERY PITCH	1	NO
V42254-B2110-C960	3-1393640-8	C96	RIGHT-ANGLE SOLDER LEADS WITH MOUNTING BRACKET	EVERY ROW , EVERY PITCH	1	NO
V42254-B2110-C960N	3-1393640-9	C96	RIGHT-ANGLE SOLDER LEADS WITH MOUNTING BRACKET	EVERY ROW , EVERY PITCH	1	NO
V42254-B2110-C963	4-1393640-0	C96	RIGHT-ANGLE SOLDER LEADS WITH MOUNTING BRACKET	ROW A+C , EVERY PITCH	1	NO
V42254-B2130-B641	4-1393640-6	B64	5,5 10mm SOLDER HOOKS	ROW A , EVERY PITCH	1	NO
V42254-B2135-B640	4-1393640-7	B64	5,5 10mm SOLDER LUGS	EVERY ROW , EVERY PITCH	1	NO
V42254-B2135-B641	4-1393640-8	B64	5,5 10mm SOLDER LUGS	ROW A , EVERY PITCH	1	NO
V42254-B2135-C960	5-1393640-0	C96	5,5 10mm SOLDER LUGS	EVERY ROW , EVERY PITCH	1	NO
V42254-B2135-C963	5-1393640-1	C96	5,5 10mm SOLDER LUGS	ROW A+C , EVERY PITCH	1	NO
V42254-B2140-B640	5-1393640-8	B64	13mm STRAIGHT WIRE-WRAP PINS	EVERY ROW , EVERY PITCH	1	NO
V42254-B2140-C960	6-1393640-0	C96	13mm STRAIGHT WIRE-WRAP PINS	EVERY ROW , EVERY PITCH	1	NO
V42254-B2140-C963	6-1393640-1	C96	13mm STRAIGHT WIRE-WRAP PINS	ROW A+C , EVERY PITCH	1	NO
V42254-B2200-C960	7-1393640-0	C96	RIGHT-ANGLE SOLDER LEADS	EVERY ROW , EVERY PITCH	2	NO
V42254-B2200-C963	7-1393640-1	C96	RIGHT-ANGLE SOLDER LEADS	ROW A+C , EVERY PITCH	2	NO
V42254-B2201-B200	7-1393640-2	B20	2,9mm STRAIGHT SOLDER LEADS	EVERY ROW , EVERY PITCH	2	NO
V42254-B2201-B310	7-1393640-3	B32	2,9mm STRAIGHT SOLDER LEADS	EVERY ROW , EVERY PITCH	2	YES
V42254-B2201-B320	7-1393640-4	B32	2,9mm STRAIGHT SOLDER LEADS	EVERY ROW , EVERY PITCH	2	NO
V42254-B2201-B325	7-1393640-5	B32	2,9mm STRAIGHT SOLDER LEADS	EVERY ROW , EVERY EVEN PITCH	2	NO
V42254-B2201-B640	7-1393640-8	B64	2,9mm STRAIGHT SOLDER LEADS	EVERY ROW , EVERY PITCH	2	NO
V42254-B2201-B641	7-1393640-9	B64	2,9mm STRAIGHT SOLDER LEADS	ROW A , EVERY PITCH	2	NO
V42254-B2201-C300	8-1393640-0	C30	2,9mm STRAIGHT SOLDER LEADS	EVERY ROW , EVERY PITCH	2	NO
V42254-B2201-C313	8-1393640-2	C30	2,9mm STRAIGHT SOLDER LEADS	ROW A+C , EVERY PITCH	2	YES
V42254-B2201-C410	8-1393640-3	C48	2,9mm STRAIGHT SOLDER LEADS	EVERY ROW , EVERY PITCH	2	YES
V42254-B2201-C413	8-1393640-4	C48	2,9mm STRAIGHT SOLDER LEADS	ROW A+C , EVERY PITCH	2	YES
V42254-B2201-C480	8-1393640-5	C48	2,9mm STRAIGHT SOLDER LEADS	EVERY ROW , EVERY PITCH	2	NO
V42254-B2201-C483	8-1393640-6	C48	2,9mm STRAIGHT SOLDER LEADS	ROW A+C , EVERY PITCH	2	NO
V42254-B2201-C485	8-1393640-7	C48	2,9mm STRAIGHT SOLDER LEADS	EVERY ROW , EVERY EVEN PITCH	2	NO
V42254-B2201-C488	8-1393640-8	C48	2,9mm STRAIGHT SOLDER LEADS	ROW A+C , EVERY EVEN PITCH	2	NO
V42254-B2201-C910	8-1393640-9	C96	2,9mm STRAIGHT SOLDER LEADS	EVERY ROW , EVERY PITCH	2	YES
V42254-B2201-C913	9-1393640-0	C96	2,9mm STRAIGHT SOLDER LEADS	ROW A+C , EVERY PITCH	2	YES
V42254-B2201-C960	9-1393640-2	C96	2,9mm STRAIGHT SOLDER LEADS	EVERY ROW , EVERY PITCH	2	NO
V42254-B2201-C963	9-1393640-3	C96	2,9mm STRAIGHT SOLDER LEADS	ROW A+C , EVERY PITCH	2	NO
V42254-B2201-C965	9-1393640-4	C96	2,9mm STRAIGHT SOLDER LEADS	EVERY ROW , EVERY EVEN PITCH	2	NO
V42254-B2201-C968	9-1393640-5	C96	2,9mm STRAIGHT SOLDER LEADS	ROW A+C , EVERY EVEN PITCH	2	NO
V42254-B2202-B200	1-1393641-0	B20	4,5mm STRAIGHT SOLDER LEADS	EVERY ROW , EVERY PITCH	2	NO
V42254-B2202-B320	1-1393641-1	B32	4,5mm STRAIGHT SOLDER LEADS	EVERY ROW , EVERY PITCH	2	NO
V42254-B2202-B321	1-1393641-2	B32	4,5mm STRAIGHT SOLDER LEADS	ROW A , EVERY PITCH	2	NO
V42254-B2202-B640	1-1393641-4	B64	4,5mm STRAIGHT SOLDER LEADS	EVERY ROW , EVERY PITCH	2	NO
V42254-B2202-B640N	1-1393641-5	B64	4,5mm STRAIGHT SOLDER LEADS	EVERY ROW , EVERY PITCH	2	NO
V42254-B2202-B641	1-1393641-6	B64	4,5mm STRAIGHT SOLDER LEADS	ROW A , EVERY PITCH	2	NO
V42254-B2202-B641N	1-1393641-7	B64	4,5mm STRAIGHT SOLDER LEADS	ROW A , EVERY PITCH	2	NO
V42254-B2202-B645	1-1393641-8	B64	4,5mm STRAIGHT SOLDER LEADS	EVERY ROW , EVERY EVEN PITCH	2	NO

3) ACCORDING TO BT 236 LEVEL 2.
 2) CONNECTORS HAVE A FLUX-TIGHT COATING.
 1) NO COMPANY NAME MARKED ON THE CONNECTOR.

ACTIVE PART NUMBERS.
 CONTACT TE FOR OTHER CONFIGURATION AVAILABILITY

THIS DRAWING IS A CONTROLLED DOCUMENT.		DIN CUVELIER 14 FEB 89	TE Connectivity	
DIMENSIONS: mm		APVO	NAME	
TOLERANCES UNLESS OTHERWISE SPECIFIED:		PRODUCT SPEC	RECEPTACLE ASSEMBLY EUROCARD TYPES B,C AND SHORT VERSIONS (PN:V42254-B2***-C***-*-7626)	
MATERIAL		APPLICATION SPEC	SIZE	CAGE CODE
FINISH		WEIGHT	A1	00779
		CUSTOMER DRAWING	SCALE	NTS
			SHEET	2 OF 2
			REV	B11

Mouser Electronics

Authorized Distributor

Click to View Pricing, Inventory, Delivery & Lifecycle Information:

[TE Connectivity:](#)

[2-1393641-5](#)