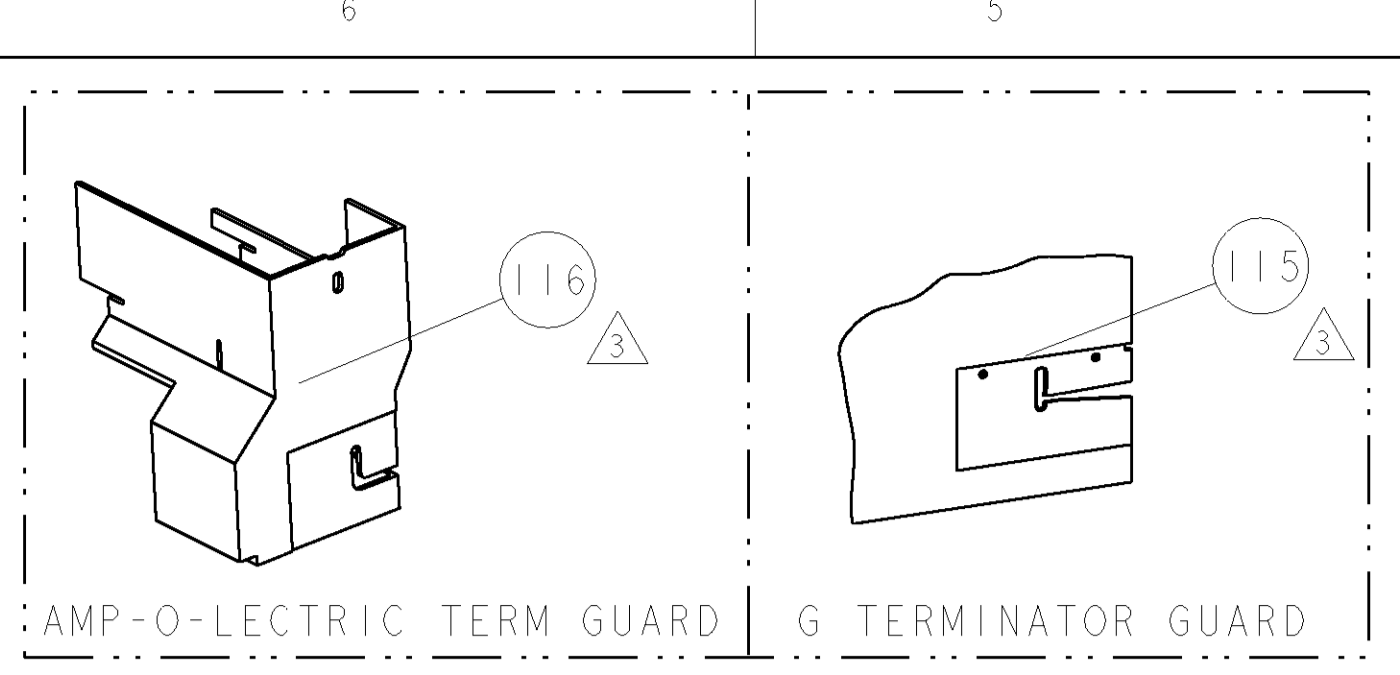


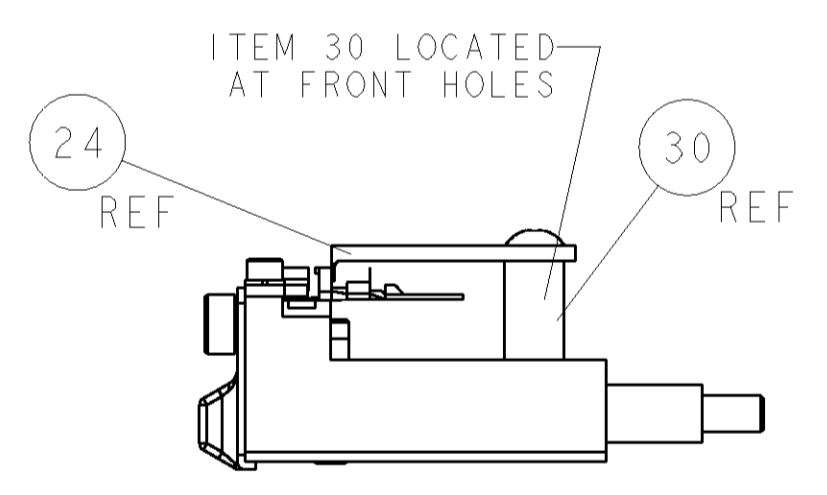
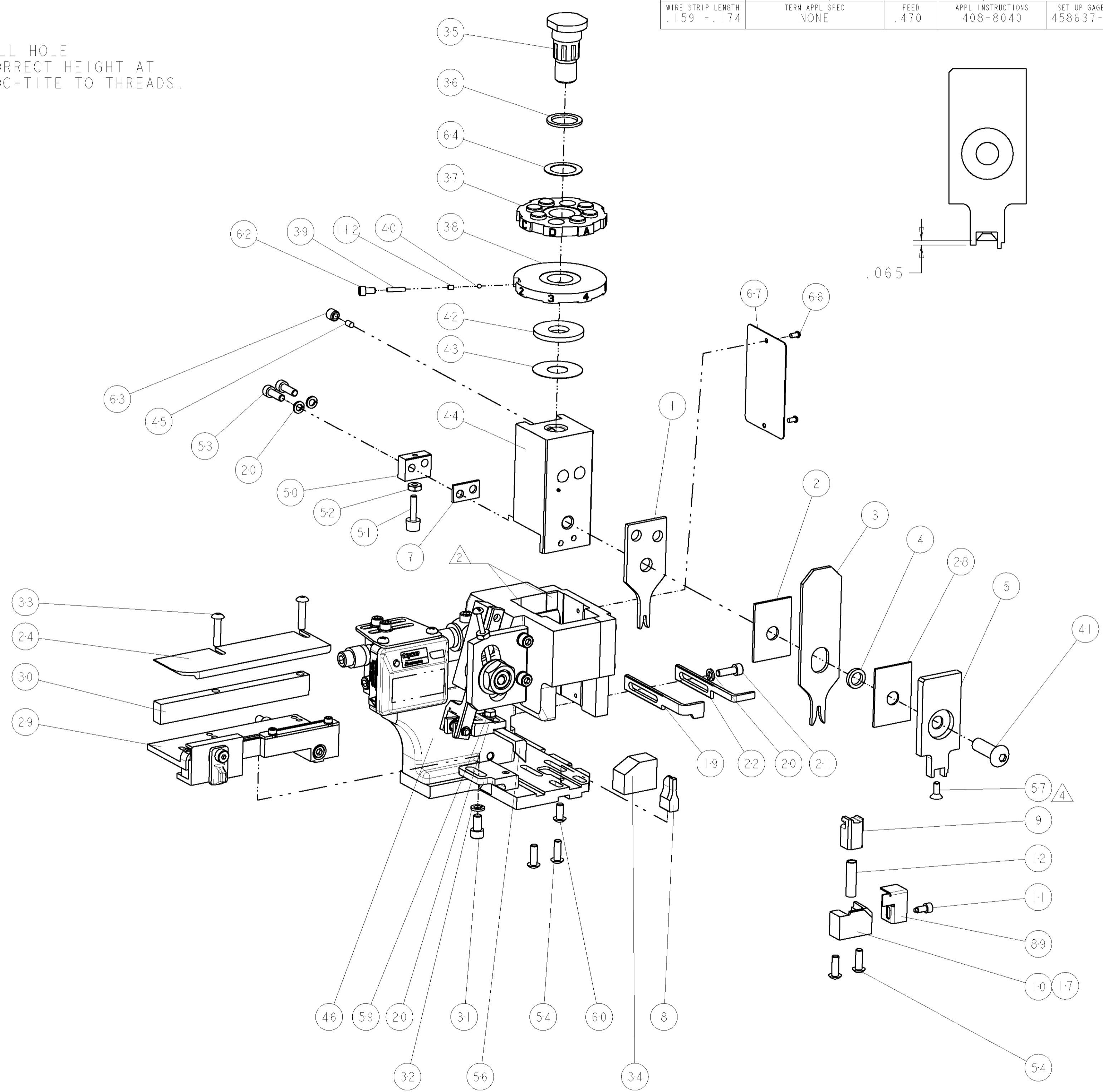
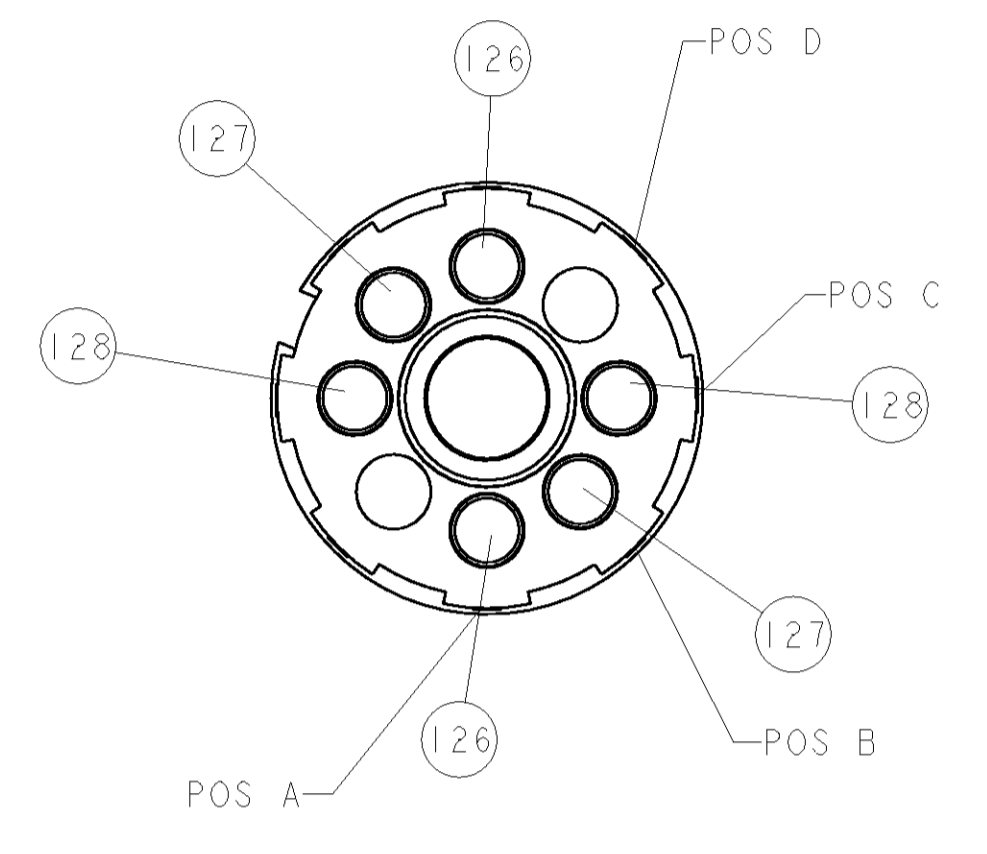
PART NUMBER	REV	FIRST USED	POWER UNIT	FEED TYPE	DESCRIPTION
1852207-1	A	122500-1	LEADMAKER	POST FEED	CUTS CARRIER
1852207-2	A	565435-5	BENCH MODEL K	PRE FEED	CUTS CARRIER
1852207-3	A	354500-1	BENCH MODEL G	PRE FEED	CUTS CARRIER
1852207-6	A	122500-1	LEADMAKER	POST FEED	CONTINUOUS CARRIER
7-1852207-7	A	-	-	-	SPARE PARTS



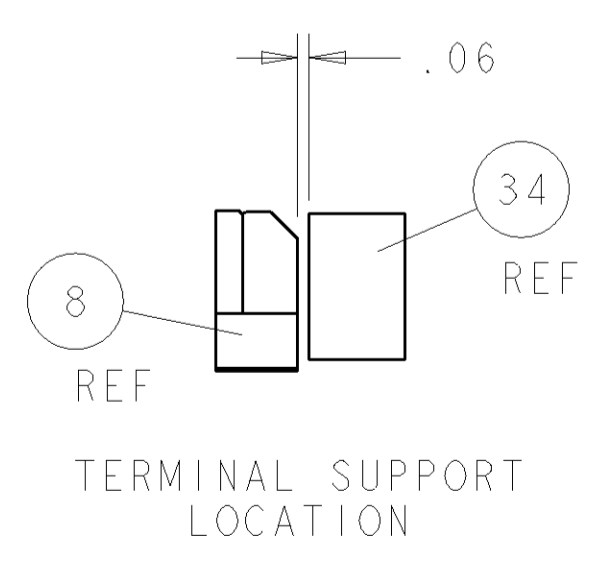
TERMINAL NAME: PIN TERMINAL					
TYCO PN	MANUF PN	YAZAKI TERMINAL - AMP CRIMP SPECS			
1572966	7114-1680-02	CRIMP HEIGHT		WIRE SIZE	
1572403	7116-1680-02	PAD LTR	CRIMP HEIGHT		WIRE SIZE
-	-	A	.048±.002[1.22±0.05mm]		18 AWG
-	-	B	.042±.002[1.07±0.05mm]		20 AWG
-	-	C	.038±.002[0.96±0.05mm]		22 AWG
-	-	D	-		-
SEAL PN.	MANUF PN	WIRE	INSUL	FEED	APPL INSTRUCTIONS
1572967	7157-3950-80	.062 [1.57mm]	F	.470	408-8040
1572967	7157-3950-80	INSUL	.098 [2.49mm]	O	∅.086 MAX
WIRE STRIP LENGTH	TERM APPL SPEC	FEED	APPL INSTRUCTIONS	SET UP GAGE	
.159 - .174	NONE	.470	408-8040	458637-1	

LOC	DIST	REV	DESCRIPTION	DATE	DWN	APPR
A	66		RELEASED	13MAR2006	MEH	GB

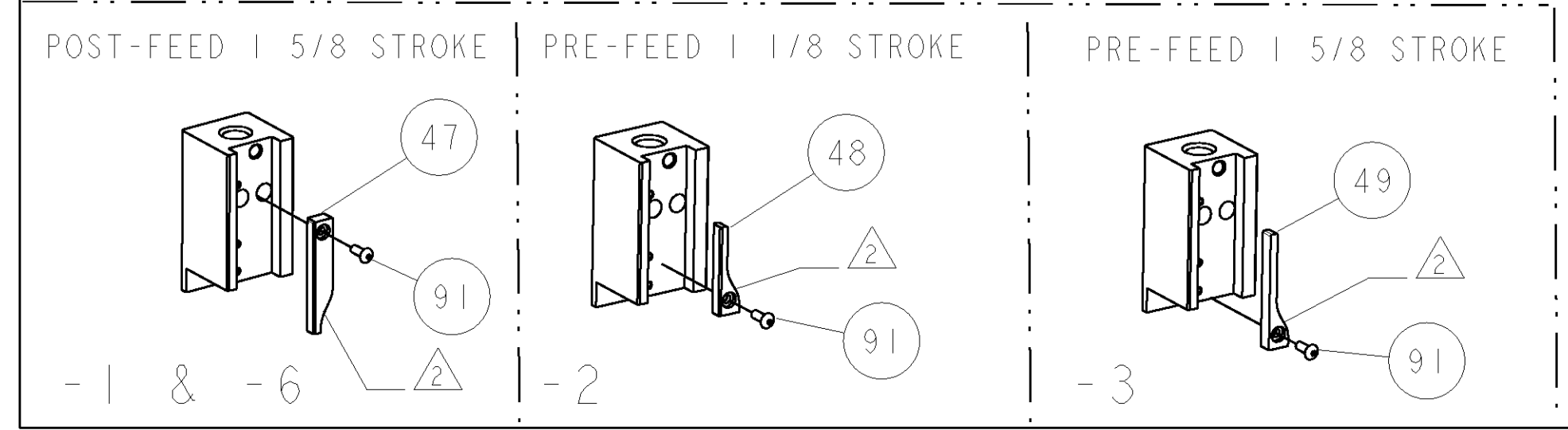
- △ RECOMMENDED SPARE PARTS
- △ GREASE LIGHTLY
- △ GUARD MUST BE IN PLACE WHEN OPERATING APPLICATOR IN A BENCH MACHINE
- △ APPLY TORO-SEAL IN ALLEN SOCKET TO FILL HOLE AFTER FLAT HD HAS BEEN ADJUSTED TO CORRECT HEIGHT AT QUALIFICATION. APPLY PN 1-23419-5 LOC-TITE TO THREADS.



FEED TRACK POSITION



QTY	REV	DATE	DESCRIPTION	ITEM NO				
-	2	2	2	2	-	4-354779-6	PIN, WIRE DISC, .3220	128
-	2	2	2	2	-	3-354779-8	PIN, WIRE DISC, .3180	127
-	2	2	2	2	-	2-354779-6	PIN, WIRE DISC, .3120	126
-	-	-	REF	-	-	455749-1	GUARD WINDOW	116
-	-	REF	-	-	-	679532-1	INSERT, GUARD	115
-	1	1	1	1	-	690603-1	SPRING ASSIST AMP-O-MATOR APPLICATOR	112
-	1	1	1	1	-	1-21002-7	SCR, BTN SKT HD CAP 6-32 X .375	91
-	1	1	1	1	-	318563-1	GUARD, FRONT CHIP	89
-	1	1	1	1	-	4088040	SF APPL INST 408-8040	72
-	1	1	1	1	-	217238-1	GENERAL INSTRUCTION PKG	71
-	1	1	1	1	-	461264-1	PLATE, IDENTIFICATION	67
-	2	2	2	2	-	21017-2	SCREW, DRIVE	66
-	1	1	1	1	-	986950-1	WASHER, FLAT PRECISION	64
-	1	1	1	1	-	21009-2	SCR, SET, SELF LOCKING 1/4-20 X .250	63
-	1	1	1	1	-	23030-1	SCR, SKT HD CAP 6-32 X .25	62
-	1	1	1	1	-	22733-8	SCR, BHSC, SELF-LOCKING, 8-32 X .375	60
-	1	1	1	1	-	2-22603-0	SCR, HEX HD CAP 8-32 X .312	59
-	1	1	1	1	-	1-21003-9	SCR, FLT SKT HD CAP 6-32 X .375	57
-	1	1	1	1	-	458537-2	PAWL, FEED	56
-	4	4	4	4	-	2-21002-2	SCR, BTN SKT HD CAP 8-32 X .500	54
-	2	2	2	2	-	2-21000-7	SCR, SKT HD CAP 8-32 X .500	53
-	1	1	1	1	-	21018-5	NUT, HEX, REG 6-32	52
-	1	1	1	1	-	811242-2	BUMPER, HOLD DOWN	51
-	1	1	1	1	-	690753-1	SPACER, TONKER	50
-	-	1	-	-	-	690602-6	CAM, PRE FEED, 1 5/8	49
-	-	-	1	-	-	690602-5	CAM, PRE FEED, 1 1/8	48
-	1	1	1	1	-	690501-4	CAM, POST FEED, 1 5/8	47
-	1	1	1	1	-	459456-1	APPL. BASIC SUB ASSY (SIDE WISE MOCA)	46
-	1	1	1	1	-	690191-1	PLUG, NYLON	45
-	1	1	1	1	-	455673-1	RAM, SIDE FEED	44
-	1	1	1	1	-	690125-1	SHIM SUB-ASSY	43
-	1	1	1	1	-	690124-1	WASHER, RAM (.115)	42
-	1	1	1	1	-	7-21002-9	SCR, BTN SKT HD CAP 5/16-24 X 1.00	41
-	1	1	1	1	-	23241-6	BALL, STEEL	40
-	1	1	1	1	-	690170-1	SPRING, COMPRESSION	39
-	1	1	1	1	-	690142-3	DISC, INSULATION	38
-	1	1	1	1	-	354777-1	WIRE DISC, ASSEMBLY	37
-	1	1	1	1	-	22480-5	SPRING, COMPRESSION	36
-	1	1	1	1	-	690212-1	POST, RAM	35
-	1	1	1	1	-	690786-3	TERMINAL SUPPORT	34
-	2	2	2	2	-	2-21002-4	SCR, BTN SKT HD CAP 8-32 X .750	33
-	1	1	1	1	-	21024-5	WASHER, SPRG LOCK, REG NO 10	32
-	1	1	1	1	-	3-21000-4	SCR, SKT HD CAP 10-32 X .375	31
-	1	1	1	1	-	1320908-8	SPACER, STRIP GUIDE	30
-	1	1	1	1	-	1633091-1	ASSEMBLY, STRIP GUIDE	29
-	1	1	1	1	-	1-455888-0	SPACER, CRIMPER	28
-	1	1	1	1	-	1320928-1	PLATE, STRIP GUIDE	24
-	1	1	1	1	-	690472-2	STRIPPER	22
-	1	1	1	1	-	2-21000-7	SCR, SKT HD CAP 8-32 X .500	21
-	4	4	4	4	-	21024-4	WASHER, SPRG LOCK, REG NO 8	20
-	-	-	-	-	-	691353-1	STRIPPER	19
-	1	1	1	1	-	679625-1	SHEAR HOLDER, FRONT (NO CUT)	17
-	1	1	1	1	-	3-22280-3	SPRING, COMPRESSION	12
-	1	1	1	1	-	690461-2	STOP, SHEAR	11
-	-	1	1	1	-	1-690459-0	SHEAR HOLDER, FRONT	10
-	1	1	1	1	-	318707-1	FLOATING SHEAR, FRONT	9
1	1	1	1	1	-	1633107-3	ANVIL, COMBINATION .062	8
-	1	1	1	1	-	6-240641-4	SPACER	7
-	1	1	1	1	-	318701-1	DEPRESSOR, SHEAR	5
-	1	1	1	1	-	1-238011-0	BLOCK, CRIMPER SPACER	4
1	1	1	1	1	-	7-904741-0	CRIMPER, INSUL O PREMIUM	3
-	1	1	1	1	-	1-455888-4	SPACER, CRIMPER	2
1	1	1	1	1	-	4-456403-4	CRIMPER, WIRE PREMIUM	1



DIMENSIONS: INCHES		TOLERANCES UNLESS OTHERWISE SPECIFIED:		DATE: 24FEB2006		DWN: HERR		CHK: T. ELBIN		APPR: T. ELBIN		NAME: T. ELBIN		DATE: 24FEB2006		PRODUCT SPEC: -		APPLICATION SPEC: -		MATERIAL: -		FINISH: -		WEIGHT: -		CUSTOMER DRAWING: -		SCALE: 3:5		SHEET: 1 OF 1		REV: A	
0 PLC ±.01		1 PLC ±.005		2 PLC ±.002		3 PLC ±.001		4 PLC ±.0005		ANGLES ±.0001		TYCO Electronics		Tyco Electronics		Harrisburg, PA 17105-3608		SIDE FEED HDM APPLICATOR		SIZE: A1		CAGE CODE: 00779		DRAWING NO: 1852207		RESTRICTED TO: -		CUSTOMER VIEWABLE ASSEMBLY					

Mouser Electronics

Authorized Distributor

Click to View Pricing, Inventory, Delivery & Lifecycle Information:

[TE Connectivity:](#)

[1852207-2](#)