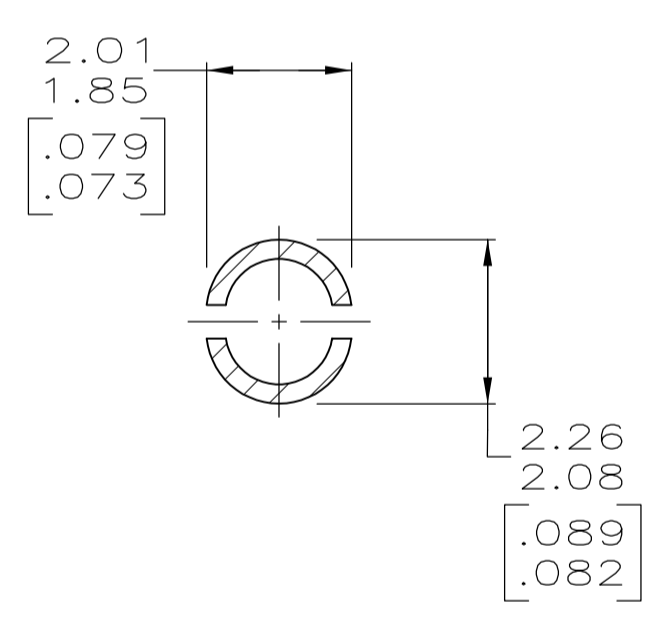
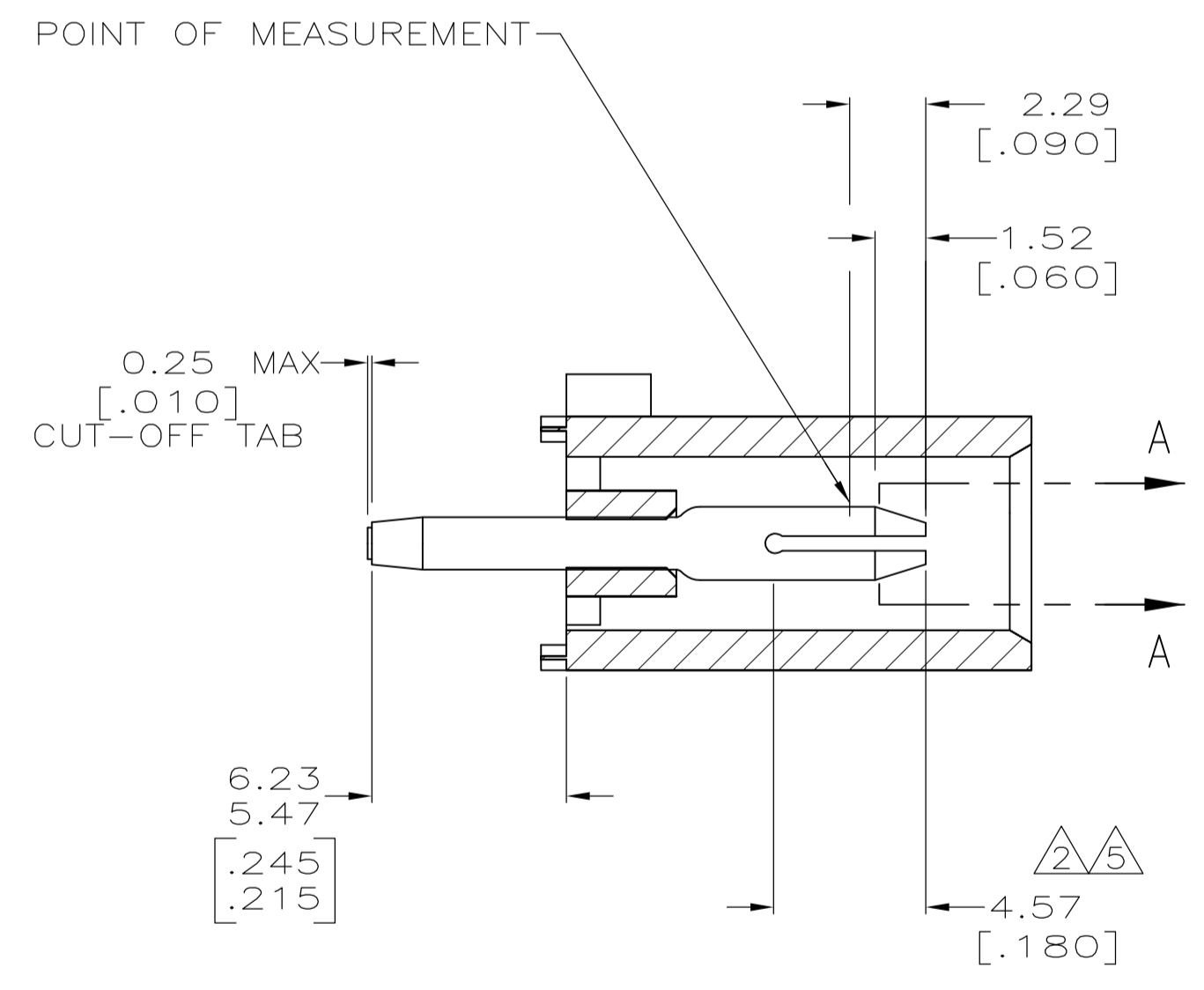
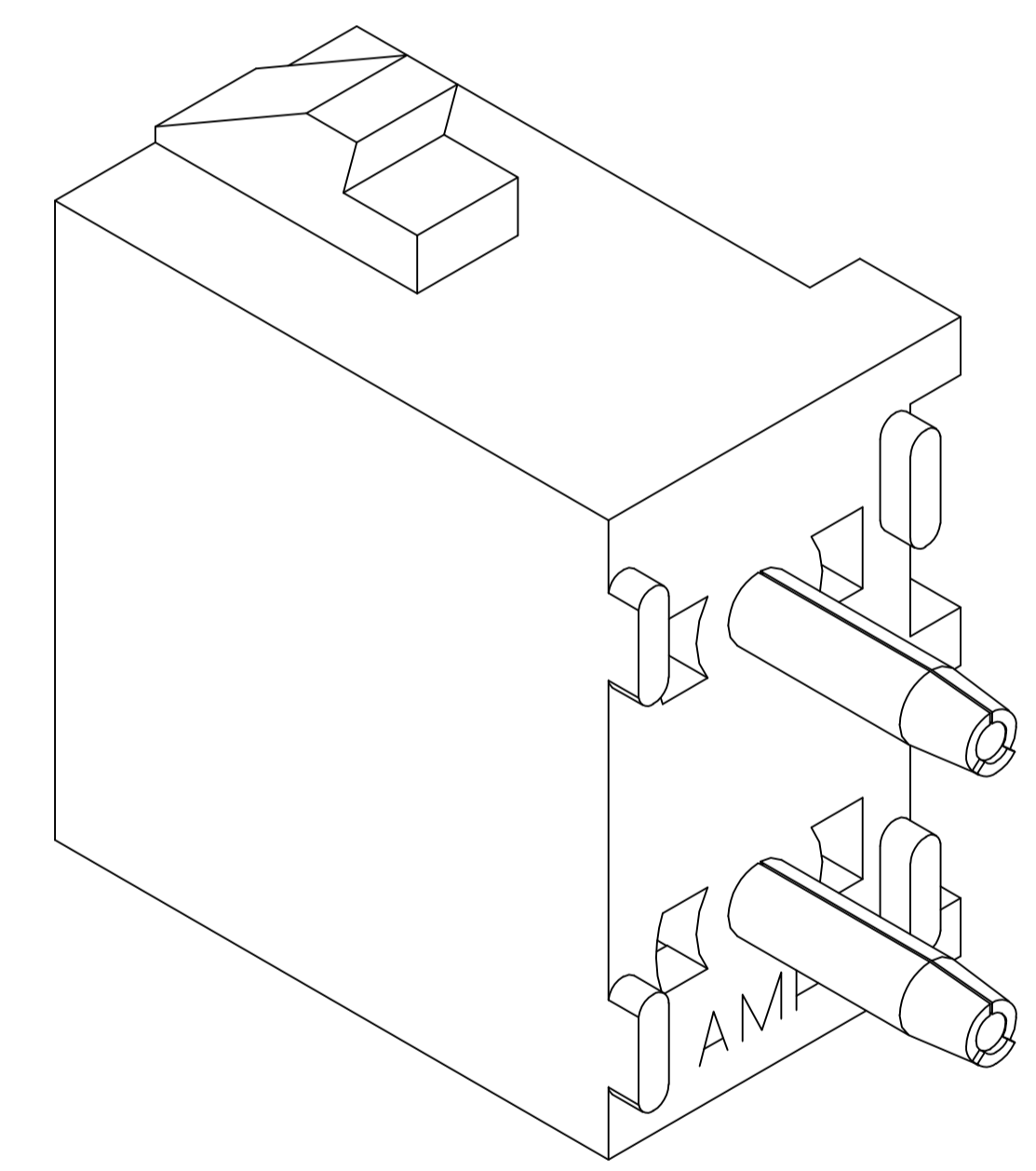


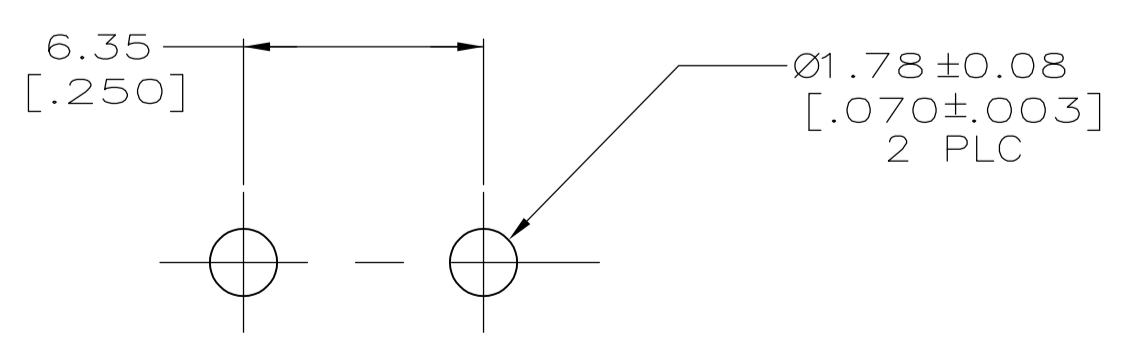
- 1 PARTS COMPLY TO AMP SOLDERABILITY SPECIFICATION 109-11-3.
- 2 CONTACT IS PLATED OVERALL WITH 0.00127 [.000050] NICKEL, THEN 0.00076 [.000030] GOLD OVER CONTACT LENGTH INDICATED AND MATTE TIN LEAD ON SOLDER TAIL END.
- 3 CIRCUIT IDENTIFICATION CHARACTERS ARE ADJACENT TO THE INDICATED CAVITIES, BUT LOCATION AND ORIENTATION MAY DIFFER FROM PRINT.
- DIMENSIONS IN BRACKETS ARE IN INCHES.
- 5 CONTACT IS PLATED OVERALL WITH 0.00127 [.000050] NICKEL, THEN 0.00076 [.000030] GOLD OVER CONTACT LENGTH INDICATED AND MATTE TIN ON SOLDER TAIL END.
- 6 SUPERSEDED BY 350787-3



SECTION A-A  
SCALE 10:1



3-DIMENSIONAL MODEL  
NTS



RECOMMENDED MOUNTING HOLE PATTERN  
FOR 3.18 [.125] THICK P.C. BOARD

6	PHOSPHOR BRONZE, GOLD 5	NYLON,UL94V-0,WHITE	350787-3
	PHOSPHOR BRONZE, GOLD 2	NYLON,UL94V-0,WHITE	350787-2
	PHOSPHOR BRONZE, PRE-TIN	NYLON,UL94V-0,WHITE	350787-1
	PIN CONTACT MATERIAL AND FINISH	HOUSING MATERIAL	PART NUMBER

THIS DRAWING IS A CONTROLLED DOCUMENT.		DIN 8-20-98	TE Connectivity	
DIMENSIONS: mm [INCHES]		8-20-98	PIN HEADER ASSEMBLY, 2 CIRCUIT UNIVERSAL MATE-N-LOK™	
TOLERANCES UNLESS OTHERWISE SPECIFIED:		8-20-98	SCALE 5:1 SHEET 1 OF 1 REV P1	
0 PLC ± -	1 PLC ± -	2 PLC ± 0.13 [.005]	3 PLC ± -	4 PLC ± -
MATERIAL SEE TABLE		FINISH SEE TABLE	WEIGHT -	SIZE A1 00779 C=350787
		APPROVED M. TRULL	NAME	RESTRICTED TO
		APPLICATION SPEC	DATE	
		WEIGHT	SCALE	
		CUSTOMER DRAWING	SCALE 5:1	

# Mouser Electronics

Authorized Distributor

Click to View Pricing, Inventory, Delivery & Lifecycle Information:

[TE Connectivity:](#)

[350787-1](#)