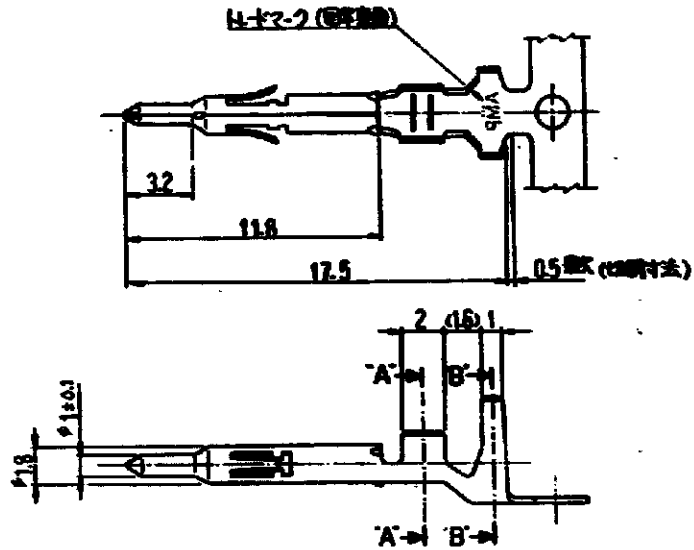
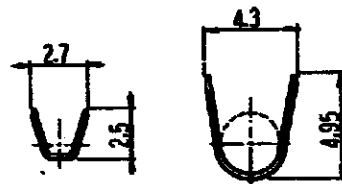


171636-1



注: 1. 適用規格
 電線規格 108-5151, 108-5138.
 配線規格 114-5050
 線径・規格 1S-105J
 ▲ 2本組適用規格
 AWG #20 (VSF規格線径φ2.4)x2



断面A-A

断面B-B

171636-1 (CONTINUOUS IN USE DO NOT SCALE PRINT)

171638-1		図示		171636-1	
LP(x2)型番		仕様		型番	
				参考図面 (CUSTOMER COPY REFERENCE ONLY)	
MATERIAL: 鋼線 (標準寸法)		TE Connectivity			
SPECIFICATION: 05-13 (AWG#20-76)		CLASS: —			
PART NUMBER: 20-3224-2 (A)		PACKAGE: —			
REVISION: B1 REVISED PER ECO-11-005294		DATE: 14APR 11		REV: —	
LTR: 変更 (REVISION RECORD)		DR: CHK: DATE:		SCALE: 4-1	
CHK: <i>None</i>		APP: <i>None</i>		LOC: J A	
				REV: C-171636 B1	
品名: ピンコネクタ (ミニユニバーサルメイトD-7標準型コネクタ)					

171636-1 (CONTINUOUS IN USE DO NOT SCALE PRINT)

Mouser Electronics

Authorized Distributor

Click to View Pricing, Inventory, Delivery & Lifecycle Information:

[TE Connectivity:](#)

[171636-1 \(Mouser Reel\)](#) [171636-1 \(Cut Strip\)](#)