

4

3

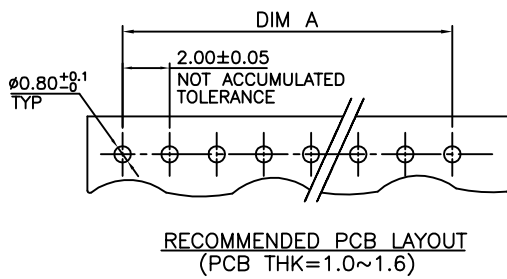
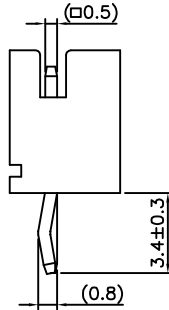
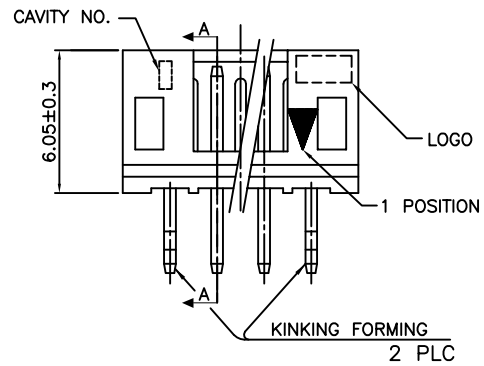
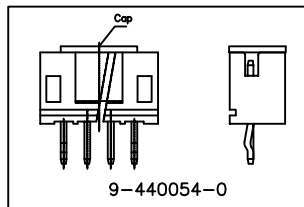
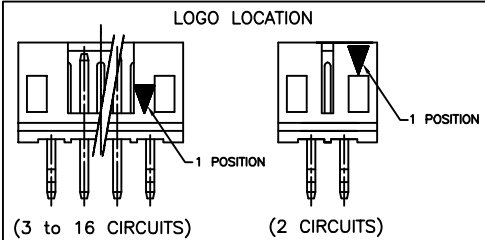
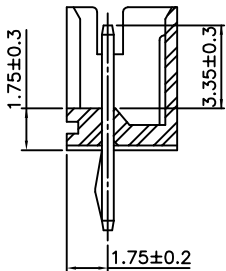
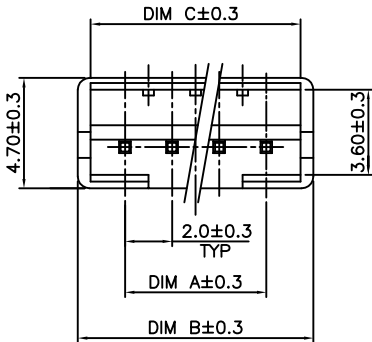
2

1

THIS DRAWING IS UNPUBLISHED. RELEASED FOR PUBLICATION AUG 2006 .
 © COPYRIGHT 2009 BY TYCO ELECTRONICS CORPORATION. ALL RIGHTS RESERVED.

LOC	DIST	REVISIONS			
P	LTR	DESCRIPTION	DATE	DWN	APVD
DW		E6	REVISED ECR-17-002168	17DEC16	J.J W.H

- NOTES:
 1. MATERIAL:
 HOUSING: NYLON 66, UL94V-0, COLOR: SEE TABLE.
 CONTACT: BRASS, THICKNESS=0.50mm.
 2. FINISH:
 2.03um[80u"] MIN. BRIGHT-TIN PLATING ON CONTACT.
 1.27um[50u"] MIN. NICKEL ENTIRE CONTACT UNDERPLATED.
 3. WAVE SOLDER CAPABLE TO 265°C PER TEST SPEC.
 109-202, CONDITION B.
 4. RAISED TYPE PN: 9-440054-2



PACKAGE	COLOR	DIM C	DIM B	DIM A	POS	PART NUMBER
OBSOLETE	RED	10.90	12.00	8.00	5P	6-440054-9
OBSOLETE	RED	8.90	10.00	6.00	4P	6-440054-8
OBSOLETE	RED	6.90	8.00	4.00	3P	6-440054-7
OBSOLETE	RED	4.90	6.00	2.00	2P	6-440054-6
OBSOLETE	BLACK	10.90	12.00	8.00	5P	6-440054-9
OBSOLETE	BLACK	8.90	10.00	6.00	4P	6-440054-8
OBSOLETE	BLACK	6.90	8.00	4.00	3P	6-440054-7
OBSOLETE	BLACK	4.90	6.00	2.00	2P	6-440054-6
OBSOLETE	YELLOW	10.90	12.00	8.00	5P	4-440054-9
OBSOLETE	YELLOW	8.90	10.00	6.00	4P	4-440054-8
OBSOLETE	YELLOW	6.90	8.00	4.00	3P	4-440054-7
OBSOLETE	YELLOW	4.90	6.00	2.00	2P	4-440054-6
OBSOLETE	BLUE	10.90	12.00	8.00	5P	2-440054-9
OBSOLETE	BLUE	8.90	10.00	6.00	4P	2-440054-8
OBSOLETE	BLUE	6.90	8.00	4.00	3P	2-440054-7
OBSOLETE	BLUE	4.90	6.00	2.00	2P	2-440054-6
OBSOLETE	NATURAL WHITE	32.90	34.00	30.00	16P	5-440054-6
OBSOLETE	NATURAL WHITE	30.90	32.00	28.00	15P	5-440054-5
OBSOLETE	NATURAL WHITE	28.90	30.00	26.00	14P	5-440054-4
OBSOLETE	NATURAL WHITE	26.90	28.00	24.00	13P	5-440054-3
OBSOLETE	NATURAL WHITE	24.90	26.00	22.00	12P	5-440054-2
OBSOLETE	NATURAL WHITE	22.90	24.00	20.00	11P	5-440054-1
OBSOLETE	NATURAL WHITE	20.90	22.00	18.00	10P	5-440054-0
OBSOLETE	NATURAL WHITE	18.90	20.00	16.00	9P	440054-9
OBSOLETE	NATURAL WHITE	16.90	18.00	14.00	8P	440054-8
OBSOLETE	NATURAL WHITE	14.90	16.00	12.00	7P	440054-7
OBSOLETE	NATURAL WHITE	12.90	14.00	10.00	6P	440054-6
OBSOLETE	NATURAL WHITE	10.90	12.00	8.00	5P	440054-5
OBSOLETE	NATURAL WHITE	8.90	10.00	6.00	4P	440054-4
OBSOLETE	NATURAL WHITE	6.90	8.00	4.00	3P	440054-3
OBSOLETE	NATURAL WHITE	4.90	6.00	2.00	2P	440054-2

PACKAGE	COLOR	DIM C	DIM B	DIM A	POS	PART NUMBER
OBSOLETE	RED	10.90	12.00	8.00	5P	6-440054-9
		8.90	10.00	6.00	4P	6-440054-8
		6.90	8.00	4.00	3P	6-440054-7
		4.90	6.00	2.00	2P	6-440054-6
POLY BAG	BLACK	10.90	12.00	8.00	5P	6-440054-5
		8.90	10.00	6.00	4P	6-440054-4
		6.90	8.00	4.00	3P	6-440054-3
		4.90	6.00	2.00	2P	6-440054-2
POLY BAG	YELLOW	24.90	26.00	22.00	12P	7-440054-6
		22.90	24.00	20.00	11P	7-440054-5
		20.90	22.00	18.00	10P	7-440054-4
		18.90	20.00	16.00	9P	7-440054-3
POLY BAG	BLUE	16.90	18.00	14.00	8P	7-440054-2
		14.90	16.00	12.00	7P	7-440054-1
		12.90	14.00	10.00	6P	7-440054-0
		10.90	12.00	8.00	5P	7-440054-5
TAPE REEL	NATURAL WHITE	8.90	10.00	6.00	4P	2-440054-4
		6.90	8.00	4.00	3P	2-440054-3
		4.90	6.00	2.00	2P	2-440054-2
		20.90	22.00	18.00	10P	9-440054-0
POLY BAG	NATURAL WHITE	32.90	34.00	30.00	16P	1-440054-6
		30.90	32.00	28.00	15P	1-440054-5
		28.90	30.00	26.00	14P	1-440054-4
		26.90	28.00	24.00	13P	1-440054-3
POLY BAG	NATURAL WHITE	24.90	26.00	22.00	12P	1-440054-2
		22.90	24.00	20.00	11P	1-440054-1
		20.90	22.00	18.00	10P	1-440054-0
		18.90	20.00	16.00	9P	440054-9
POLY BAG	NATURAL WHITE	16.90	18.00	14.00	8P	440054-8
		14.90	16.00	12.00	7P	440054-7
		12.90	14.00	10.00	6P	440054-6
		10.90	12.00	8.00	5P	440054-5
POLY BAG	NATURAL WHITE	8.90	10.00	6.00	4P	440054-4
		6.90	8.00	4.00	3P	440054-3
		4.90	6.00	2.00	2P	440054-2

THIS DRAWING IS A CONTROLLED DOCUMENT. 16JUL2004

DWN O. HU
 CHK S. HOU
 APVD W.J. KE
 PRODUCT SPEC
 108-57100
 APPLICATION SPEC

TE Connectivity

2.0 MM PITCH HPI VERTICAL POST HEADERS

SIZE A3 CAGE CODE 00779 DRAWING NO. C=440054 RESTRICTED TO -

MATERIAL SEE NOTE FINISH SEE NOTE WEIGHT - GRAMS SCALE - SHEET 1 of 8 REV E6

CUSTOMER DRAWING

4

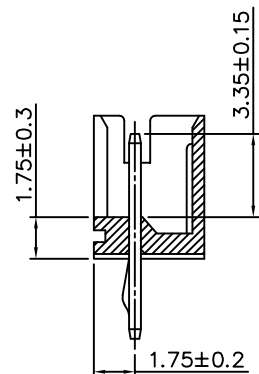
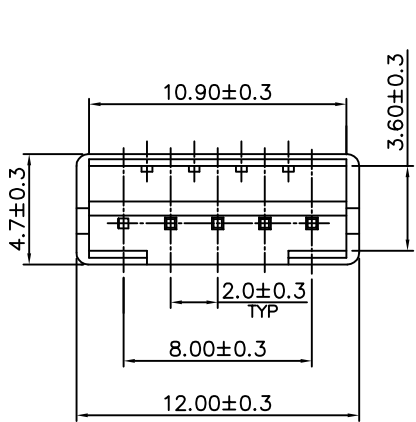
3

2

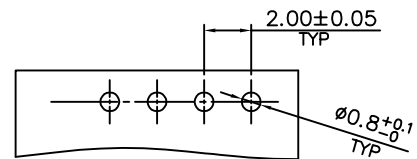
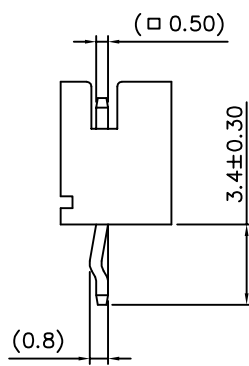
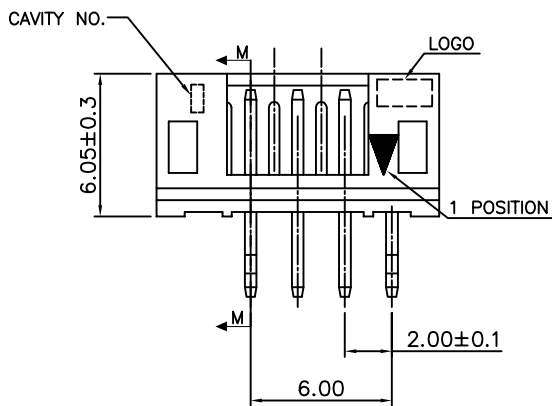
1

THIS DRAWING IS UNPUBLISHED. RELEASED FOR PUBLICATION AUG 2006 .
© COPYRIGHT 2009 BY TYCO ELECTRONICS CORPORATION. ALL RIGHTS RESERVED.

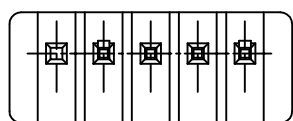
LOC		DIST		REVISIONS			DATE	DWN	APVD
P	LTR	DESCRIPTION							
		SEE SHEET 1.							



SECTION M-M



RECOMMENDER PCB LAYOUT
(PCB THK=1.0~1.6mm)



POLY BAG	NATURAL WHITE	PIN 5	4P	9-440054-5
PACKAGE	COLOR	PIN NUMBER LACKED	POS.	PART NUMBER

THIS DRAWING IS A CONTROLLED DOCUMENT.

DIMENSIONS: MM	TOLERANCES UNLESS OTHERWISE SPECIFIED:	DWN	TE Connectivity	
0 PLC ± -	1 PLC ± 0.3	CHK	NAME	
2 PLC ± 0.2	3 PLC ± 0.15	APVD	2.0 MM PITCH HPI VERTICAL POST HEADERS	
4 PLC ± -	ANGLES ± 3'	PRODUCT SPEC	SIZE	CAGE CODE
MATERIAL	FINISH	APPLICATION SPEC	A3	00779
SEE NOTE (PAGE 1.)	SEE NOTE (PAGE 1.)	WEIGHT	DRAWING NO. C=440054	
CUSTOMER DRAWING		RESTRICTED TO	-	
		SCALE	SHEET	REV
		-	2 of 8	E6

4

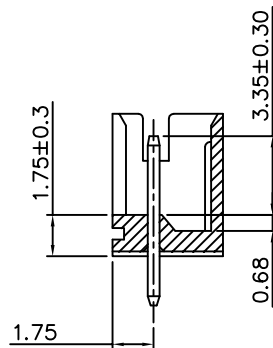
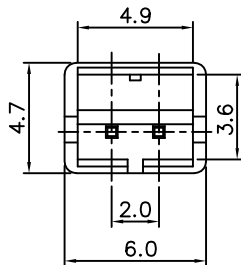
3

2

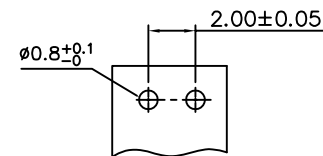
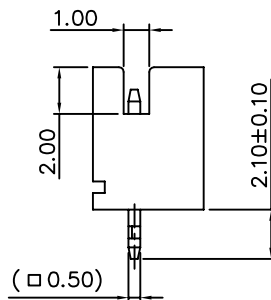
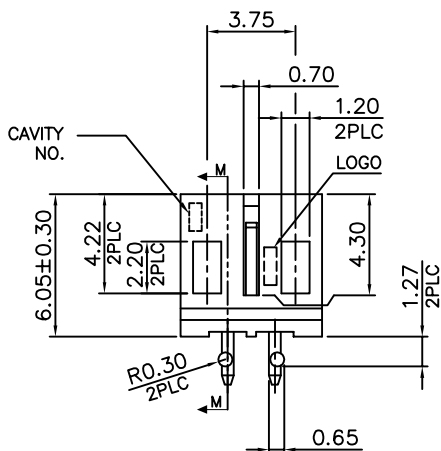
1

THIS DRAWING IS UNPUBLISHED. RELEASED FOR PUBLICATION AUG 2006 .
© COPYRIGHT 2009 BY TYCO ELECTRONICS CORPORATION. ALL RIGHTS RESERVED.

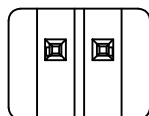
LOC		DIST		REVISIONS			DATE	DWN	APVD
P	LTR	DESCRIPTION							
		SEE SHEET 1.							



SECTION M-M



RECOMMENDED PCB LAYOUT
(PCB THK=1.0MM~1.6MM)

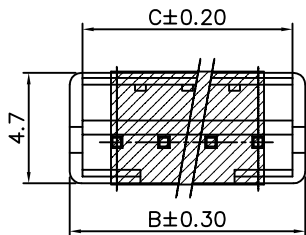


POLY BAG	NATURAL WHITE	2P	9-440054-2
PACKAGE	COLOR	POS	PART NUMBER

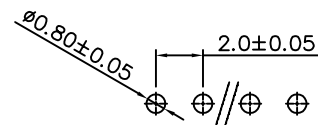
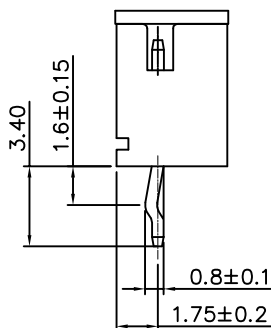
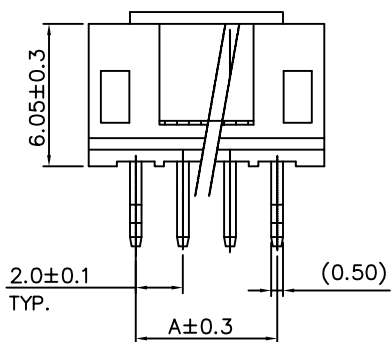
THIS DRAWING IS A CONTROLLED DOCUMENT.		DWN	TE Connectivity 2.0 MM PITCH HPI VERTICAL POST HEADERS													
DIMENSIONS: MM		CHK				NAME										
TOLERANCES UNLESS OTHERWISE SPECIFIED:		APVD				PRODUCT SPEC										
<table border="0"> <tr><td>0 PLC</td><td>± -</td></tr> <tr><td>1 PLC</td><td>± 0.3</td></tr> <tr><td>2 PLC</td><td>± 0.2</td></tr> <tr><td>3 PLC</td><td>± 0.15</td></tr> <tr><td>4 PLC</td><td>± -</td></tr> <tr><td>ANGLES</td><td>± 3°</td></tr> </table>		0 PLC				± -	1 PLC	± 0.3	2 PLC	± 0.2	3 PLC	± 0.15	4 PLC	± -	ANGLES	± 3°
0 PLC	± -															
1 PLC	± 0.3															
2 PLC	± 0.2															
3 PLC	± 0.15															
4 PLC	± -															
ANGLES	± 3°															
MATERIAL	SEE NOTE (PAGE 1.)	FINISH	SEE NOTE (PAGE 1.)	WEIGHT	-											
CUSTOMER DRAWING		SCALE	-	SHEET	3 of 8											
		RESTRICTED TO	REV E6													

THIS DRAWING IS UNPUBLISHED. RELEASED FOR PUBLICATION AUG 2006 .
 © COPYRIGHT 2009 BY TYCO ELECTRONICS CORPORATION. ALL RIGHTS RESERVED.

LOC	DIST	REVISIONS			
P	LTR	DESCRIPTION	DATE	DWN	APVD
DW		SEE SHEET 1.			



- NOTES:
- MATERIAL:
HOUSING: NYLON 6T, UL94V-0, COLOR: SEE TABLE.
CONTACT: BRASS, THICKNESS=0.50mm.
 - FINISH:
2.03um[80u"] MIN. BRIGHT-TIN PLATING ON CONTACT.
1.27um[50u"] MIN. NICKEL ENTIRE CONTACT UNDERPLATED.
 - (SMT) REFLOW PROCESS NEED AFFORD 260°C.



RECOMMENDED PCB LAYOUT
 (PCB THK=1.0MM~1.6MM)

TAPE REEL PACKAGE	NATURAL WHITE COLOR	8.90 DIM C	10.00 DIM B	6.00 DIM A	4P POS	9-440054-4 PART NUMBER
-------------------	---------------------	------------	-------------	------------	--------	------------------------

THIS DRAWING IS A CONTROLLED DOCUMENT.		DWN	TE Connectivity 2.0 MM PITCH HPI VERTICAL POST HEADERS													
DIMENSIONS: MM		CHK					NAME									
TOLERANCES UNLESS OTHERWISE SPECIFIED:		APVD					PRODUCT SPEC									
<table border="1"> <tr><td>0 PLC</td><td>± -</td></tr> <tr><td>1 PLC</td><td>± 0.3</td></tr> <tr><td>2 PLC</td><td>± 0.2</td></tr> <tr><td>3 PLC</td><td>± 0.15</td></tr> <tr><td>4 PLC</td><td>± -</td></tr> <tr><td>ANGLES</td><td>± 3°</td></tr> </table>		0 PLC					± -	1 PLC	± 0.3	2 PLC	± 0.2	3 PLC	± 0.15	4 PLC	± -	ANGLES
0 PLC	± -															
1 PLC	± 0.3															
2 PLC	± 0.2															
3 PLC	± 0.15															
4 PLC	± -															
ANGLES	± 3°															
MATERIAL	FINISH	WEIGHT	A3	00779	C=440054	RESTRICTED TO										
SEE NOTE (PAGE 1.)	SEE NOTE (PAGE 1.)	CUSTOMER DRAWING	SCALE		SHEET 4 of 8	REV E6										

THIS DRAWING IS UNPUBLISHED. RELEASED FOR PUBLICATION AUG .2006.
 © COPYRIGHT 2009 BY TYCO ELECTRONICS CORPORATION. ALL RIGHTS RESERVED.

LOC	DIST	REVISIONS			
P	LTR	DESCRIPTION	DATE	DWN	APVD
DW		SEE SHEET 1.			

POLY BAG

CARTON


340mm(L)X 470mm(W)X 178mm(H)
 (FOR HEADER 2P~5P ONLY)

340mm(L)X 470mm(W)X 365mm(H)
 (FOR HEADER 6P~16P ONLY)

INEER BOX

320mm(L)X 220mm(W)X 155mm(H)

17,600	550	4P	9-440054-5
40,000	1,000	2P	9-440054-2
17,600	550	5P	8-440054-5
20,800	650	4P	8-440054-4
27,000	750	3P	8-440054-3
40,000	1,000	2P	8-440054-2
17,600	550	5P	6-440054-5
20,800	650	4P	6-440054-4
27,000	750	3P	6-440054-3
40,000	1,000	2P	6-440054-2
16,000	250	12P	7-440054-6
18,000	250	11P	7-440054-5
19,200	300	10P	7-440054-4
22,400	350	9P	7-440054-3
22,400	350	8P	7-440054-2
25,600	400	7P	7-440054-1
28,800	450	6P	7-440054-0
17,600	550	5P	4-440054-5
20,800	650	4P	4-440054-4
27,000	750	3P	4-440054-3
40,000	1,000	2P	4-440054-2
17,600	550	5P	2-440054-5
20,800	650	4P	2-440054-4
27,000	750	3P	2-440054-3
40,000	1,000	2P	2-440054-2
12,000	200	16P	1-440054-6
12,000	200	15P	1-440054-5
12,800	200	14P	1-440054-4
15,000	250	13P	1-440054-3
16,000	250	12P	1-440054-2
18,000	250	11P	1-440054-1
19,200	300	10P	1-440054-0
22,400	350	9P	440054-9
22,400	350	8P	440054-8
25,600	400	7P	440054-7
28,800	450	6P	440054-6
17,600	550	5P	440054-5
20,800	650	4P	440054-4
27,000	750	3P	440054-3
40,000	1,000	2P	440054-2
APQ	PPQ	POS.	PART NUMBER
(PCS/CARTON)	(PCS/BAG)		

THIS DRAWING IS A CONTROLLED DOCUMENT.		DWN	 TE Connectivity											
DIMENSIONS: MM		CHK												
TOLERANCES UNLESS OTHERWISE SPECIFIED:		APVD												
<table border="1"> <tr><td>0 PLC</td><td>± .</td></tr> <tr><td>1 PLC</td><td>± .</td></tr> <tr><td>2 PLC</td><td>± .</td></tr> <tr><td>3 PLC</td><td>± .</td></tr> <tr><td>4 PLC</td><td>± .</td></tr> <tr><td>ANGLES</td><td>± .</td></tr> </table>		0 PLC			± .	1 PLC	± .	2 PLC	± .	3 PLC	± .	4 PLC	± .	ANGLES
0 PLC	± .													
1 PLC	± .													
2 PLC	± .													
3 PLC	± .													
4 PLC	± .													
ANGLES	± .													
MATERIAL	FINISH	PRODUCT SPEC	2.0 MM PITCH HPI VERTICAL POST HEADERS											
		APPLICATION SPEC	SIZE	CAGE CODE										
		WEIGHT	A300779	©=440054										
CUSTOMER DRAWING			DRAWING NO	RESTRICTED TO										
SCALE			SHEET	REV										
			5 of 8	E6										

4

3

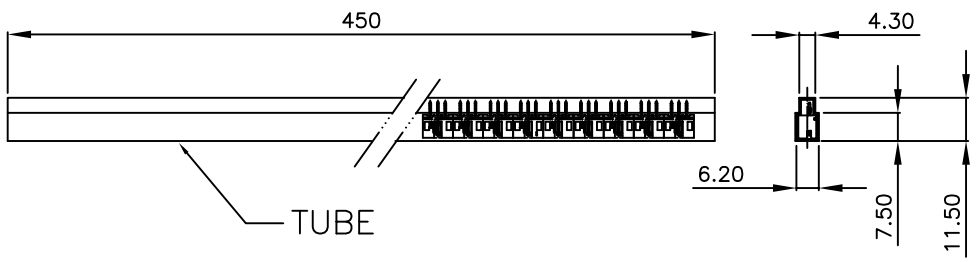
2

1

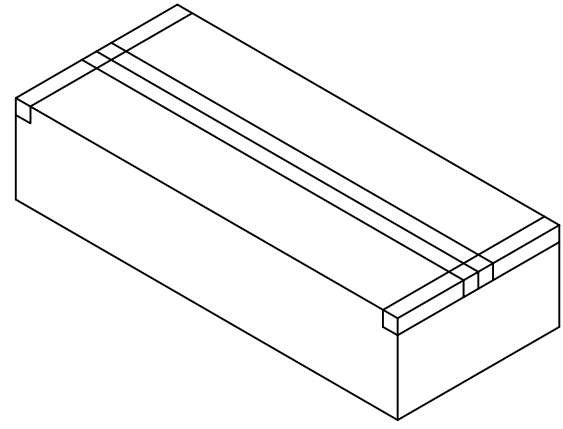
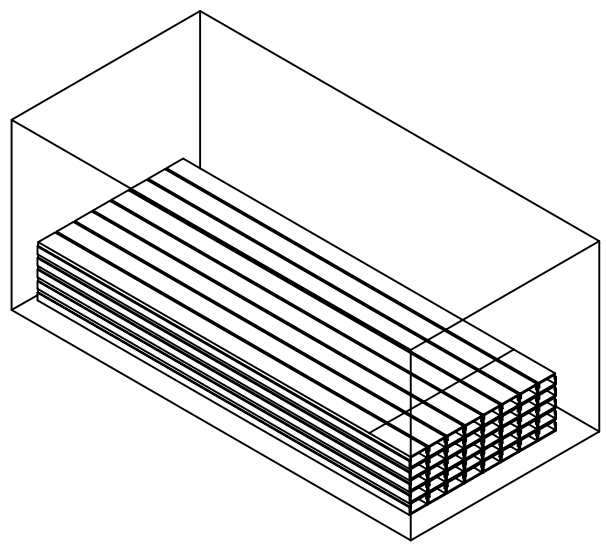
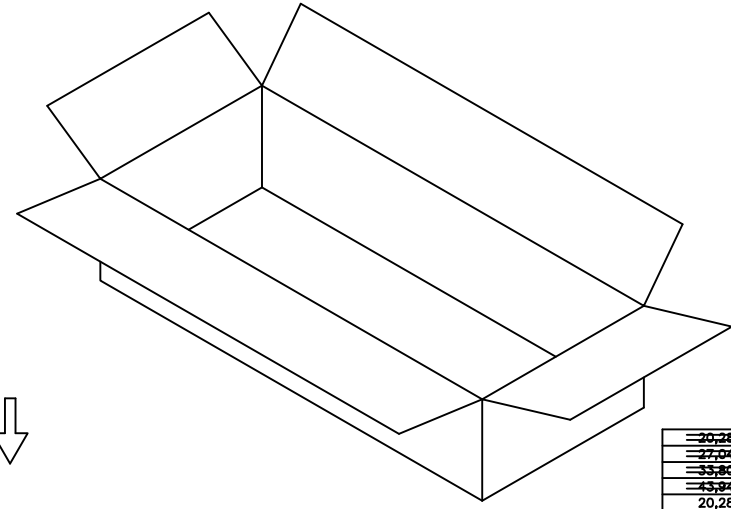
THIS DRAWING IS UNPUBLISHED. RELEASED FOR PUBLICATION AUG. 2006.
 © COPYRIGHT 2009 BY TYCO ELECTRONICS CORPORATION. ALL RIGHTS RESERVED.

LOC	DIST	REVISIONS			
P	LTR	DESCRIPTION	DATE	DWN	APVD
DW		SEE SHEET 1.			

CARTON
 470 mm(L)X 340mm(W)X 178mm(H)



TUBE



20,280	30	3P	8-440054-9
27,040	40	4P	8-440054-8
33,800	50	3P	8-440054-7
43,940	65	2P	8-440054-6
20,280	30	5P	6-440054-9
27,040	40	4P	6-440054-8
33,800	50	3P	6-440054-7
43,940	65	2P	6-440054-6
20,280	30	5P	4-440054-9
27,040	40	4P	4-440054-8
33,800	50	3P	4-440054-7
43,940	65	2P	4-440054-6
20,280	30	5P	2-440054-9
27,040	40	4P	2-440054-8
33,800	50	3P	2-440054-7
43,940	65	2P	2-440054-6
6,760	10	16P	5-440054-6
8,112	12	15P	5-440054-5
8,112	12	14P	5-440054-4
8,788	13	13P	5-440054-3
10,140	15	12P	5-440054-2
10,816	16	11P	5-440054-1
12,168	18	10P	5-440054-0
13,520	20	9P	3-440054-9
14,872	22	8P	3-440054-8
16,900	25	7P	3-440054-7
18,928	28	6P	3-440054-6
20,280	30	5P	3-440054-5
27,040	40	4P	3-440054-4
33,800	50	3P	3-440054-3
43,940	65	2P	3-440054-2
APQ (PCS/CARTON)	PPQ (PCS/TUBE)	POS.	PART NUMBER

THIS DRAWING IS A CONTROLLED DOCUMENT.

DIMENSIONS: MM	TOLERANCES UNLESS OTHERWISE SPECIFIED:
	0 PLC ± .
	1 PLC ± .
	2 PLC ± .
	3 PLC ± .
	4 PLC ± .
	ANGLES ± .
MATERIAL	FINISH

DWN	CHK	APVD	PRODUCT SPEC	APPLICATION SPEC	WEIGHT	TE Connectivity			
NAME						2.0 MM PITCH HPI VERTICAL POST HEADERS			
SIZE						CAGE CODE		DRAWING NO	RESTRICTED TO
A300779						C=440054			
CUSTOMER DRAWING						SCALE	SHEET	6 OF 8	REV E6

4

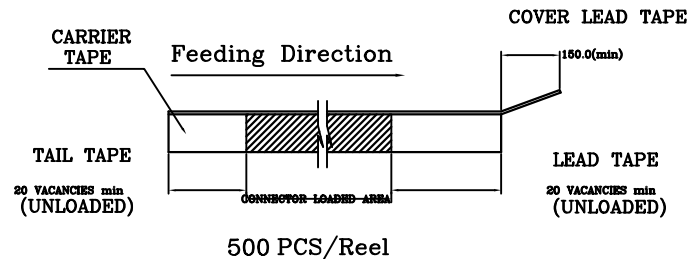
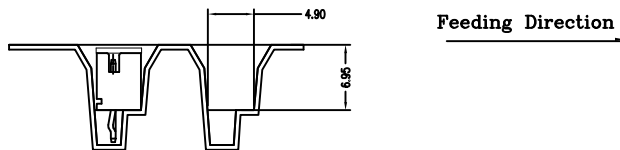
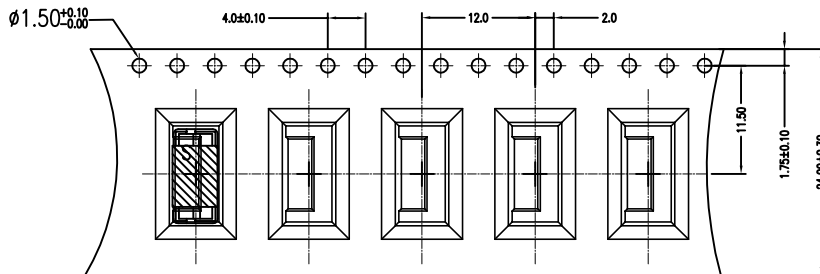
3

2

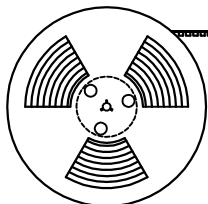
1

THIS DRAWING IS UNPUBLISHED. RELEASED FOR PUBLICATION AUG 2006 .
 © COPYRIGHT 2009 BY TYCO ELECTRONICS CORPORATION. ALL RIGHTS RESERVED.

LOC	DIST	REVISIONS			
P	LTR	DESCRIPTION	DATE	DWN	APVD
		SEE SHEET 1.			



Feeding Direction



2000 APQ (PCS/CARTON)	500 PPQ (PCS/TUBE)	4P POS.	9-440054-4 PART NUMBER
-----------------------------	--------------------------	------------	---------------------------

THIS DRAWING IS A CONTROLLED DOCUMENT.

DIMENSIONS: MM	TOLERANCES UNLESS OTHERWISE SPECIFIED:	DWN	TE Connectivity	
0 PLC ± - 1 PLC ± - 2 PLC ± - 3 PLC ± - 4 PLC ± - ANGLES ± -		CHK	NAME	
MATERIAL	FINISH	APVD	2.0 MM PITCH HPI VERTICAL POST HEADERS	
		PRODUCT SPEC	SIZE	CAGE CODE
		APPLICATION SPEC	A3	00779
		WEIGHT	DRAWING NO	
			C=440054	
		CUSTOMER DRAWING		RESTRICTED TO
		SCALE	SHEET	REV
		-	7 of 8	E6

4

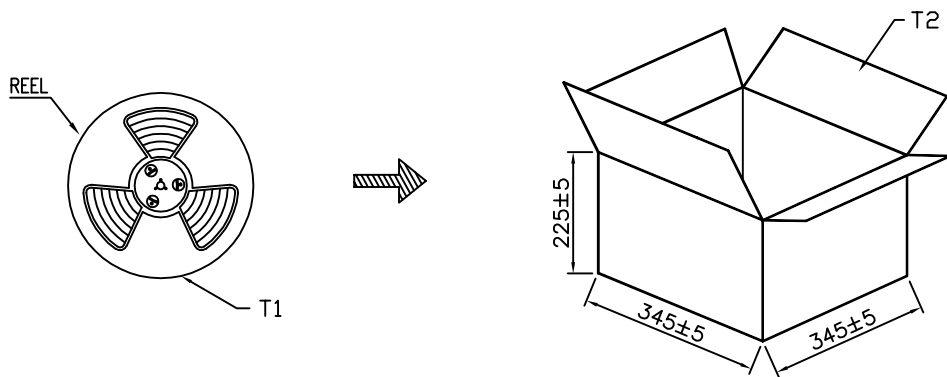
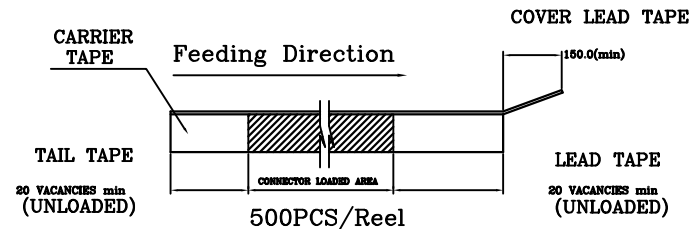
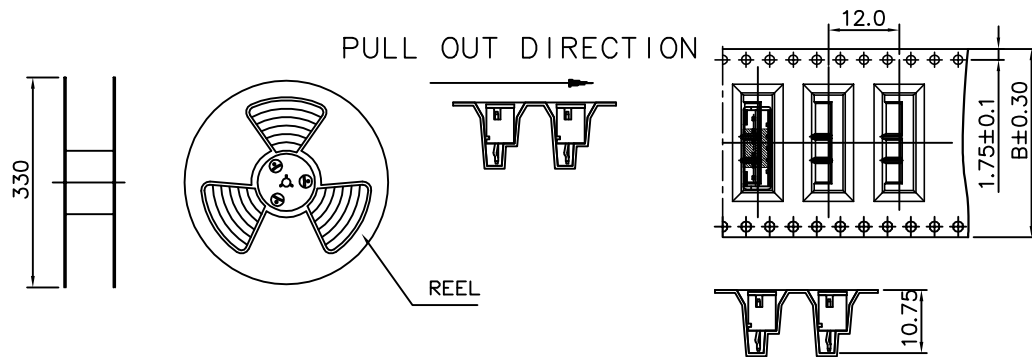
3

2

1

THIS DRAWING IS UNPUBLISHED. RELEASED FOR PUBLICATION AUG. 2006.
 © COPYRIGHT 2009 BY TYCO ELECTRONICS CORPORATION. ALL RIGHTS RESERVED.

LOC	DIST	REVISIONS			
P	LTR	DESCRIPTION	DATE	DWN	APVD
DW		SEE SHEET 1.			



POS	B(mm)	PCS./REEL	PCS/CARTON-T2
10P	44	500 PCS.	500X4=2000PCS.

NOTE:
9-440054-0 10POS WAVE SOLDER PART CAP TYPE.

2000 APQ (PCS/CARTON)	500 PPQ (PCS/REEL)	10P POS.	9-440054-0 PART NUMBER
-----------------------	--------------------	----------	------------------------

THIS DRAWING IS A CONTROLLED DOCUMENT.

DIMENSIONS: MM	TOLERANCES UNLESS OTHERWISE SPECIFIED:	DWN	STE TE Connectivity	
	0 PLC ± - 1 PLC ± - 2 PLC ± - 3 PLC ± - 4 PLC ± - ANGLES ± -	CHK		
MATERIAL	FINISH	APVD	NAME	
		PRODUCT SPEC	2.0 MM PITCH HPI VERTICAL POST HEADERS	
		APPLICATION SPEC	SIZE	CAGE CODE
		WEIGHT	A3	00779
		CUSTOMER DRAWING	DRAWING NO	RESTRICTED TO
			C=440054	
			SCALE	SHEET 8 OF 8
				REV E6

Mouser Electronics

Authorized Distributor

Click to View Pricing, Inventory, Delivery & Lifecycle Information:

[TE Connectivity:](#)

[6-440054-5](#)