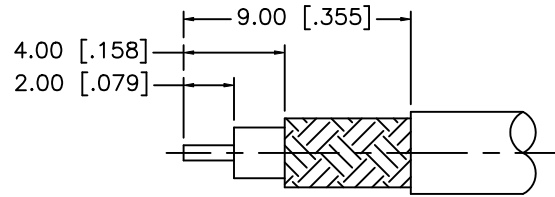
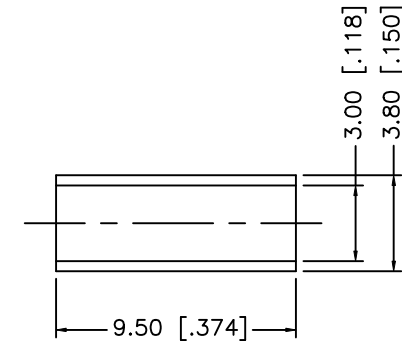
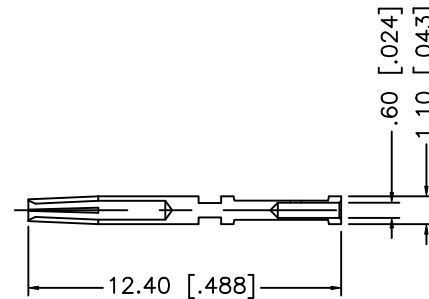
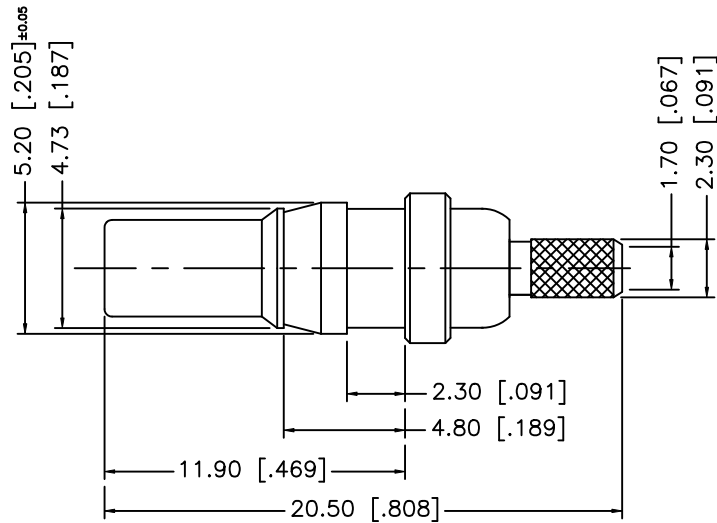


REV.	DATE	DESCRIPTION
NC	09/22/03	INITIAL RELEASE
A	03/18/08	REVISE BODY PLATING TO GOLD



RECOMMENDED CABLE STRIPPING DIM'S



NOTE:

1. CRIMPED FERRULE HEX CRIMP SIZE .128"
2. CONTACT PIN TO SOLDER

DESCRIPTION	MATERIAL	FINISH	QTY	DO NOT SCALE DRAWING	APPROVALS	DATE	Amphenol Connex							
8					DRAWN	G.R.S.	03/18/08	PART DESCRIPTION <b>1.0/2.3 CRIMP JACK (FOR RG-179/U, 187A/U)</b>						
7				CHECKED										
6	FERRULE	COPPER	NICKEL	1	ISSUED									
5	CONTACT PIN	BER. COPPER	GOLD	1	SHEET	1 OF 1								
4	BARREL	BRASS	NICKEL	1	PART NO.		282104-75							
3	INSULATOR	TEFLON	NATURAL	1	DWG. NO.		282104-75.DWG		REV.	A	SIZE	A	SCALE	NA
2	RETAINER RING	BER. COPPER	NICKEL	1	CAD FILE		C:/282/282104-75.DWG							
1	BODY	BRASS	GOLD	1										

UNLESS OTHERWISE SPECIFIED DIMENSIONS ARE IN MILLIMETERS. DIMENSIONS IN [ ] ARE IN INCHES AND FOR CUSTOMER REFERENCE ONLY.

UNLESS OTHERWISE SPECIFIED TOLERANCES FOR MILLIMETERS ARE:  
0.5 - 8mm ± 0.20mm  
8 - 30mm ± 0.40mm  
30 - 120mm ± 0.50mm

UNLESS OTHERWISE SPECIFIED TOLERANCES FOR INCHES ARE:  
.020 - .315 = ± 0.007"  
.315 - 1.180 = ± 0.015"  
1.180 - 4.724 = ± 0.020"

# Mouser Electronics

Authorized Distributor

Click to View Pricing, Inventory, Delivery & Lifecycle Information:

[Amphenol:](#)

[282104-75](#)