



Features:

- Motor: External Rotor Capacitor-Run Induction Motor
- Motor Protection: Thermal Protected
- Bearing Type: Two Ball
- Connection: Terminal Block
- Frame Material: Aluminum Alloy
- Impeller Material: Steel
- **IP54 Certified**
- Operating Temp:
Two Ball: -20°C~70°C
- Life Expectancy:
Two Ball: 50,000 Hours
Two Ball: 100,000 Hours (-L)



Fan-S Division

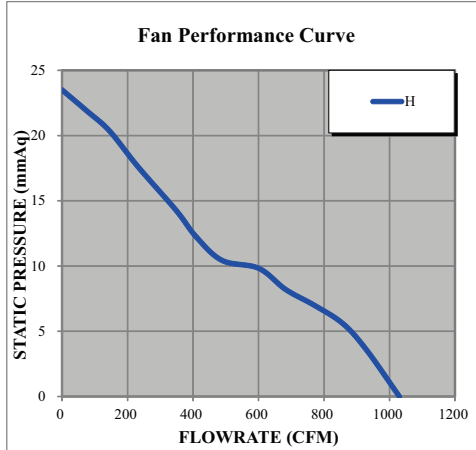


Model No.	Volt.	Freq.	Current	Power	Rated Speed	Maximum AirFlow		Maximum Static Pressure		Noise Level	Weight
	(VAC)	(Hz)	(A)	(W)	(rpm)	(CMM)	(CFM)	(InAq)	(mmAq)	(dB/A)	(g)
FDA2-28080NBHK4F #	115	50/60	0.81/1.20	94.0/136.0	2650/2900	29.15/32.55	1030/1150	0.925/0.807	23.5/20.5	70.0/73.0	3050
FDA2-28080QBHK4F #	230	50/60	0.43/0.63	95.0/138.0	2650/2900	29.15/32.55	1030/1150	0.925/0.807	23.5/20.5	70.0/73.0	3050

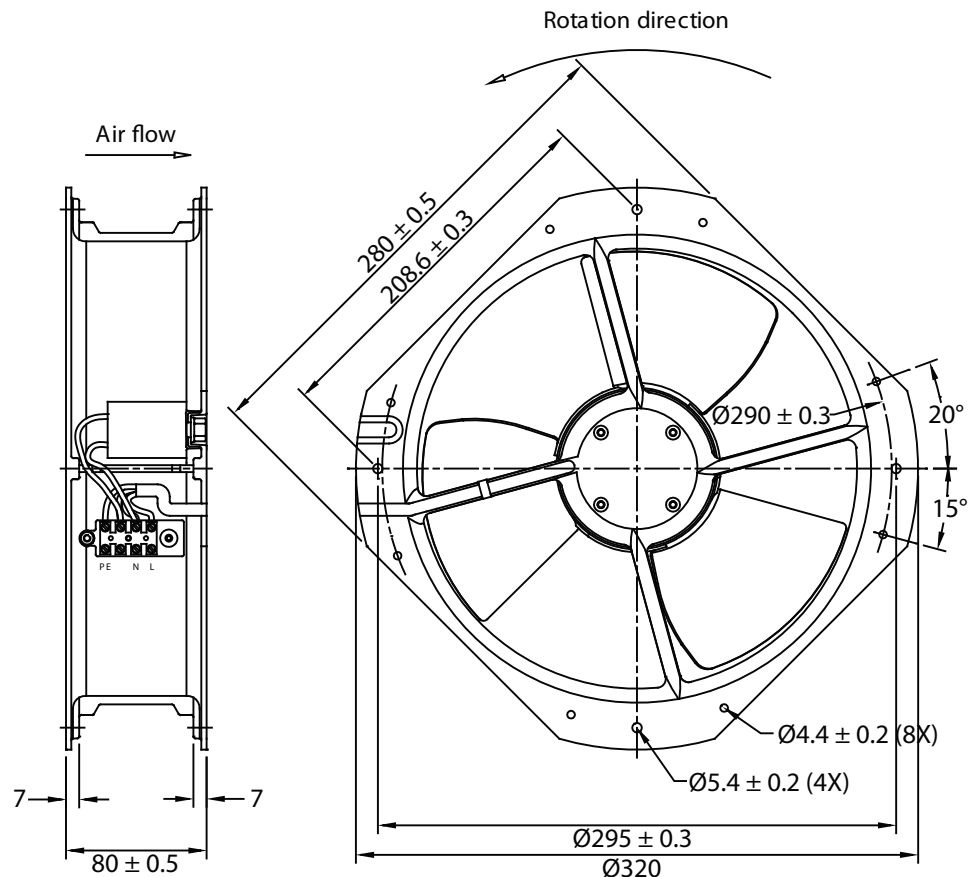
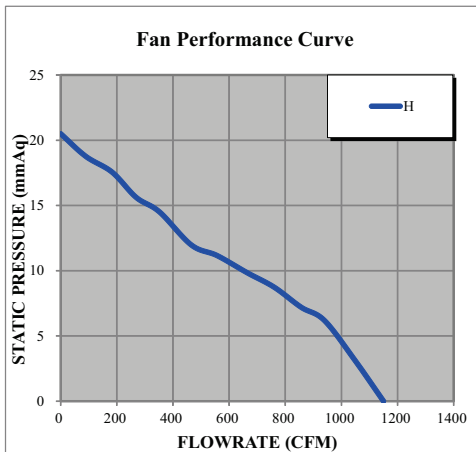
Indicates "-L" (100,000 Hours Life Expectancy) or Leave Blank (50,000 Hours Life Expectancy)

Noise is measured at the distance of one (1) meter from the axis of intake.

50Hz



60Hz



Mouser Electronics

Authorized Distributor

Click to View Pricing, Inventory, Delivery & Lifecycle Information:

Qualtek:

[FDA2-28080NBHK4F](#) [FDA2-28080QBHK4F](#)