

4

3

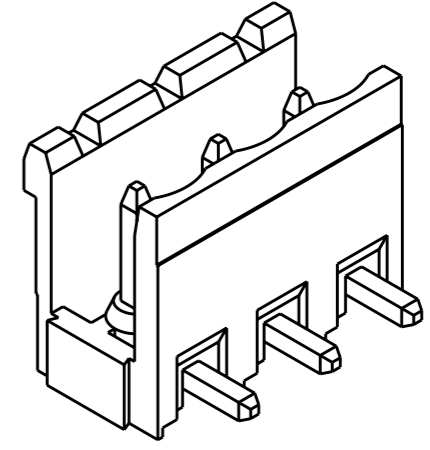
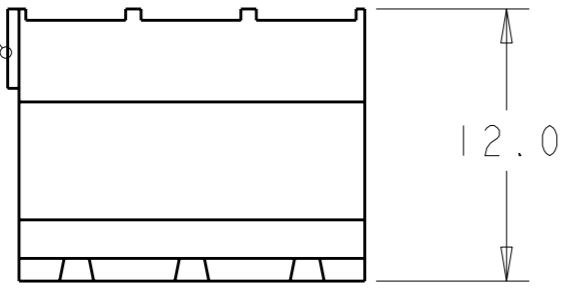
2

1

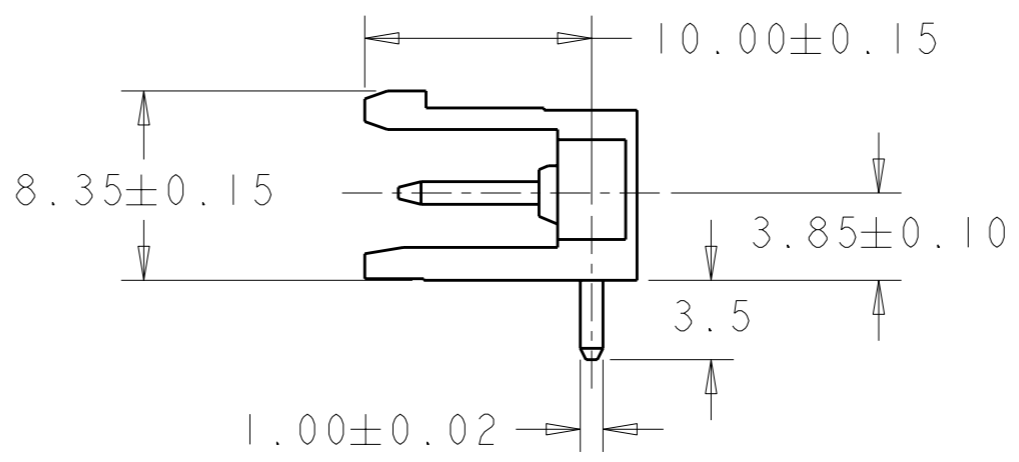
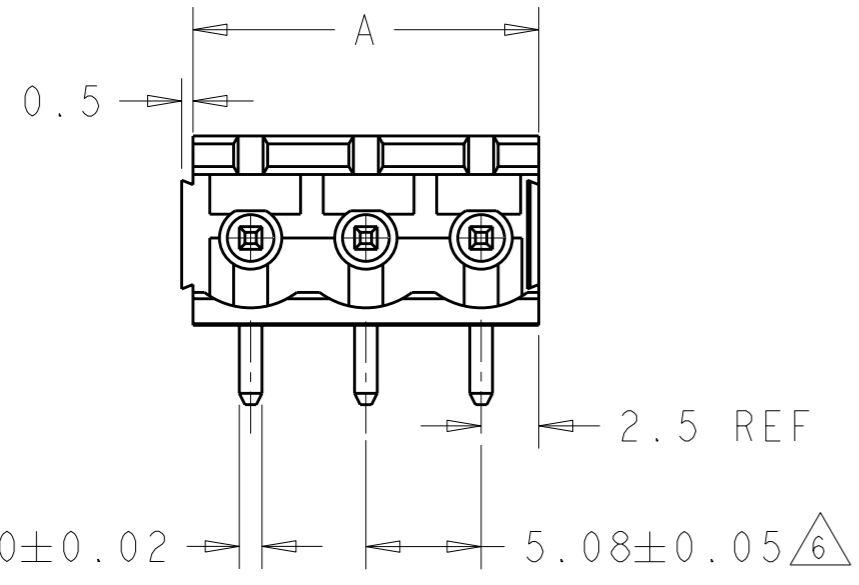
THIS DRAWING IS UNPUBLISHED. RELEASED FOR PUBLICATION 20  
 © COPYRIGHT 20 Tyco Electronics AMP GmbH ALL RIGHTS RESERVED.

| LOC | DIST | REVISIONS   |                           |           |       |
|-----|------|-------------|---------------------------|-----------|-------|
| P   | LTR  | DESCRIPTION | DATE                      | DWN       | APVD  |
| FT  | 0    | C1          | REVISED PER ECO-12-007964 | 02MAY2012 | KH MS |

INTERLOCKING FEATURE

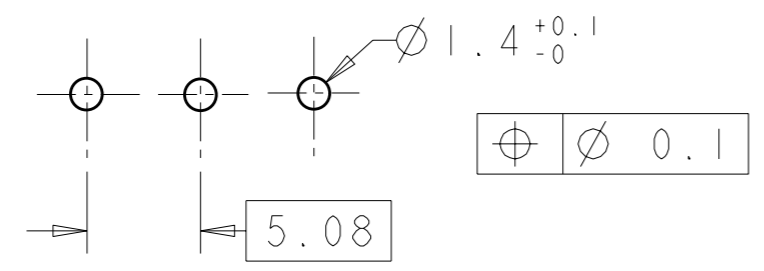


- 3 AS SHOWN



- 1 MATERIALS AND FINISH  
HOUSING: PA 6-6, UL 94-V0, COLOR GREEN.  
TERMINAL: COPPER ALLOY, TIN PLATED.
- 2 SUITABLE FOR 1,6-2,4mm PC BOARD THICKNESS.
- 3 END-TO-END STACKABLE W/INTERLOCK WITHOUT LOSS OF CENTERLINE SPACING.
- 4 RECOGNIZED UNDER THE COMPONENT PROGRAM OF UNDERWRITERS LABORATORIES INC. FILE N° E60677.
- 5 IMQ CERTIFICATE WITH SURVEILLANCE IN CONFORMITY WITH IEC 998-1/998-2-1.
- 6 NOT CUMULATIVE TOLERANCE.

RECOMMENDED PC BOARD LAYOUT (DIMA DI FORATURA CONSIGLIATA)



| 20.32  | 4          | 282814-4    |
|--------|------------|-------------|
| 15.24  | 3          | 282814-3    |
| 10.16  | 2          | 282814-2    |
| DIM. A | N° OF POS. | PART NUMBER |

|  |  |                                   |   |                        |
|--|--|-----------------------------------|---|------------------------|
| THIS DRAWING IS A CONTROLLED DOCUMENT. |  | DWN<br>E. ZANOLINI<br>24JUL2001   | TE Connectivity   |                        |
| DIMENSIONS:<br>mm                      |  | CHK<br>D. BIEVENOUR<br>24JUL2001  |   |                        |
| TOLERANCES UNLESS OTHERWISE SPECIFIED: |  | APVD<br>D. BIEVENOUR<br>24JUL2001 | NAME<br>TERMINAL BLOCK HEADER ASSEMBLY<br>90 DEGREE STACKING WITH INTERLOCK<br>5.08mm PITCH |                        |
| 0 PLC ±-                               |  | PRODUCT SPEC<br>108-20166         | SIZE<br>A3  |                        |
| 1 PLC ±.2                              |  | APPLICATION SPEC<br>114-20079     | CAGE CODE<br>00779  | DRAWING NO<br>C-282814 |
| 2 PLC ±.25                             |  | WEIGHT<br>-                       | RESTRICTED TO<br>-  |                        |
| 3 PLC ±-                               |  | CUSTOMER DRAWING                  | SCALE 3:1   |                        |
| 4 PLC ±-                               |  |                                   | SHEET 1 OF 1  |                        |
| ANGLES ±2                              |  |                                   | REV C1  |                        |
| FINISH -                               |  |                                   |   |                        |

# Mouser Electronics

Authorized Distributor

Click to View Pricing, Inventory, Delivery & Lifecycle Information:

[TE Connectivity:](#)

[282814-3](#)