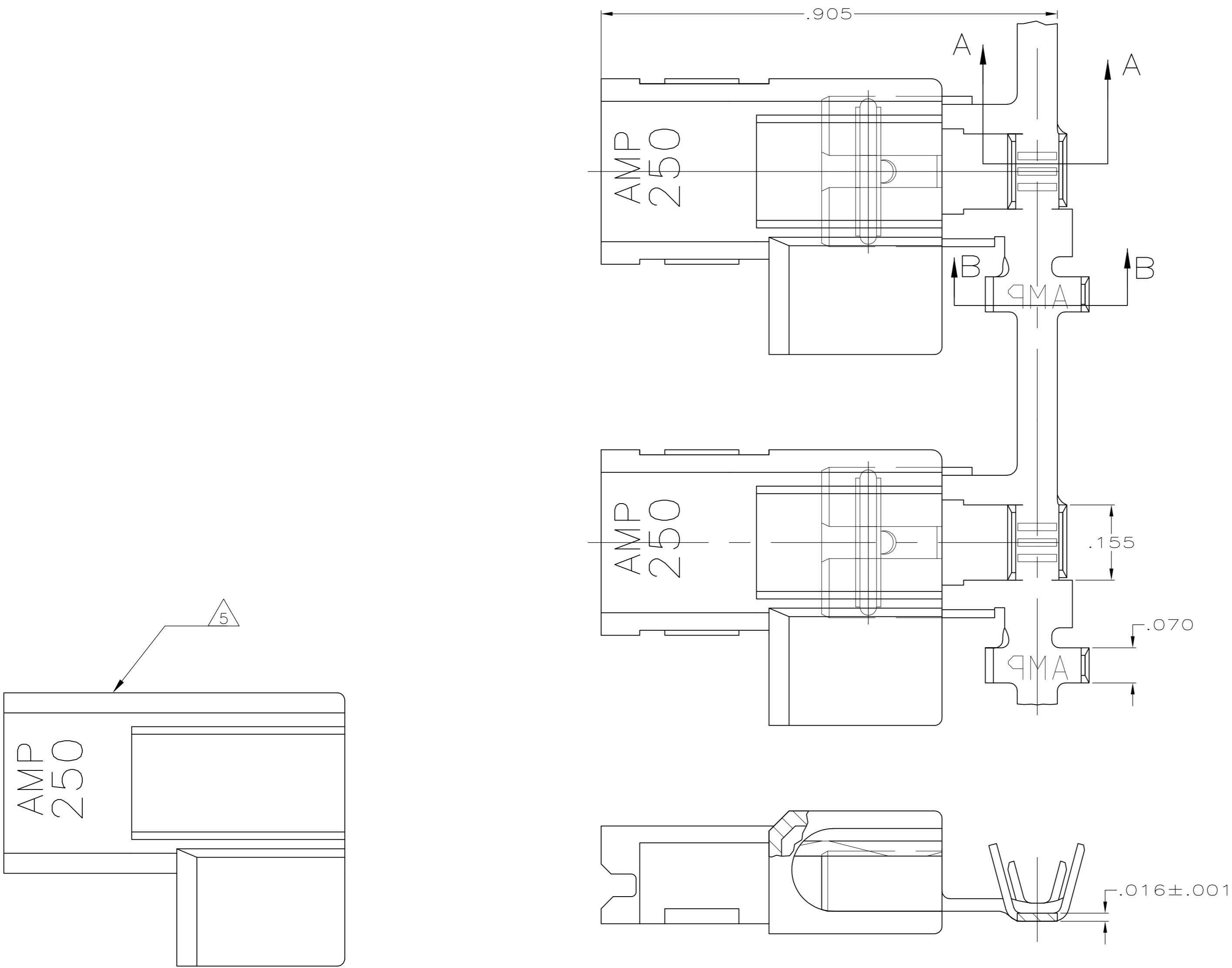
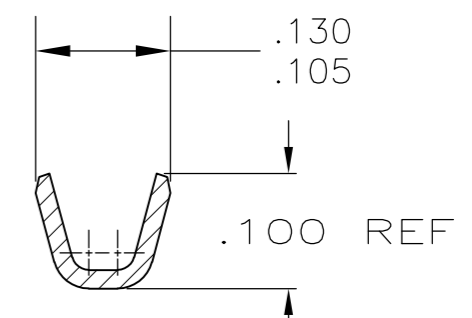


THIS DRAWING IS UNPUBLISHED. RELEASED FOR PUBLICATION  
 © COPYRIGHT - By - ALL RIGHTS RESERVED.

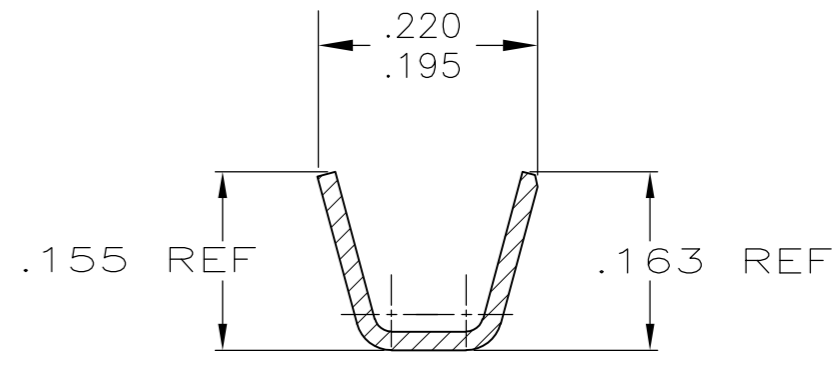
LOC	DIST	REVISIONS			
P	LTR	DESCRIPTION	DATE	DWN	APVD
AF	50	H2	REVISED PER ECR-12-013219	08JAN13	KH KR



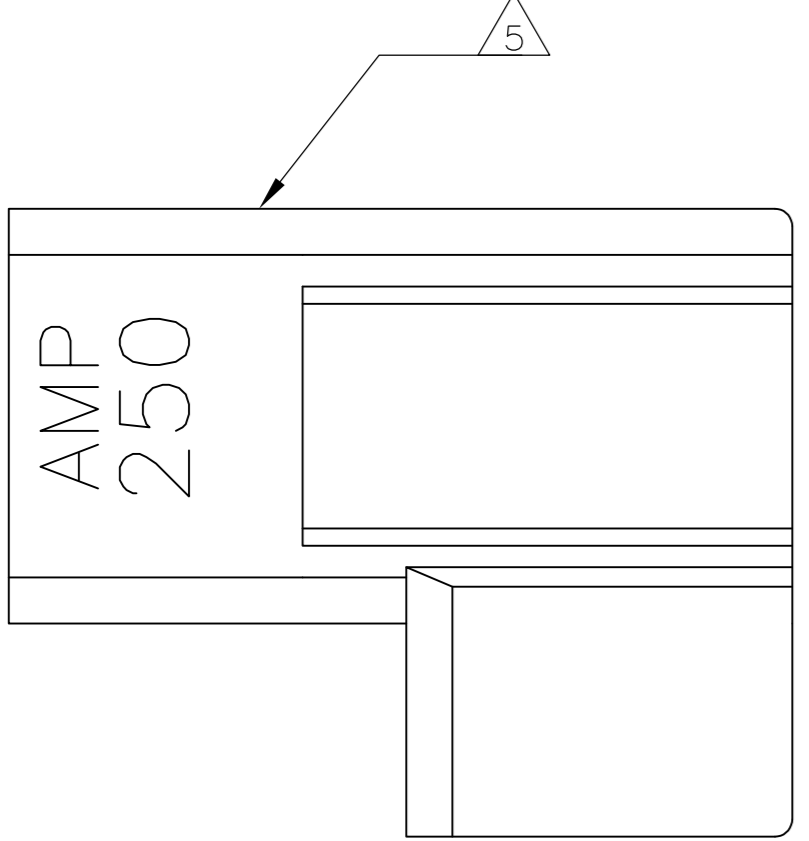
- 1 USE BUDGET FLAG FASTON TERMINAL BASE P/N 521049, IN THIS PRODUCT.
- 2 WIRE SIZE IS #22-#18 AWG
- 3 INSULATION RANGE IS .050-.100 DIA
- 4 FITS .250 X .032 THK FASTON TAB
- 5 ALTERNATIVE HOUSING FORM



SECTION A-A



SECTION B-B



6/6 NYLON / NATURAL	BRASS - TIN PLATED	521050-2
6/6 NYLON / NATURAL	BRASS - PLAIN	521050-1
HOUSING - MATERIAL & FINISH	TERMINAL - MATERIAL & FINISH	PART NO
THIS DRAWING IS A CONTROLLED DOCUMENT.		DWN JR RUTH 7/8/93
DIMENSIONS: INCHES		CHK MS FEHER 7/8/93
TOLERANCES UNLESS OTHERWISE SPECIFIED:		APVD D BRATINA 7/8/93
0 PLC ± -	1 PLC ± -	NAME
2 PLC ± -	3 PLC ± 0.25 [.010]	PRODUCT SPEC
4 PLC ± -	ANGLES ± -	108-1285
FINISH	FINISH	APPLICATION SPEC
SEE TABLE	SEE TABLE	114-2124
MATERIAL		WEIGHT
SEE TABLE		-
CUSTOMER DRAWING		SCALE 6:1
SCALE 6:1		SHEET 1 of 1
SCALE 6:1		REV H2



ASSEMBLY, RECEPTACLE, FLAG, ULTRA-POD, .250 SERIES

# Mouser Electronics

Authorized Distributor

Click to View Pricing, Inventory, Delivery & Lifecycle Information:

[TE Connectivity:](#)

[521050-2](#)