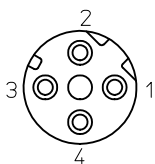


4 POLE M12



VIEW FROM FRONT SIDE

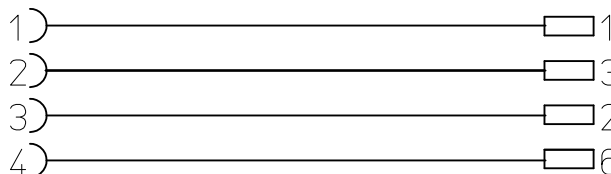
Pin	WIRE COLOR	Wire color
1	ORANGE	OG
2	BLUE	BU
3	ORANGE/WHITE	OG/WH
4	BLUE/WHITE	BU/WH

Electrical Data:
 According to CAT5e Ethernet Standard.
 M12 D-Code male to RJ45 male straight cordset
 Poles: 4
 Max. Voltage: 125V
 Max. Current: 1,5A
 Resistance: < 5m Ohm
 Insulation withstand: >100M Ohm
 Protection: IP67
 Temperature range: -25°C to 75°C

CHART 1

MOLEX PN	Eng. No.:	L(mm)
1300480015	E16A06002M100	10000
1300480016	E16A06002M150	15000
1300480017	E16A06002M200	20000
1300480018	E16A06002M250	25000
1300480019	E16A06002M300	30000
1300480020	E16A06002M350	35000
1300480021	E16A06002M400	40000
1300480022	E16A06002M450	45000
1300480023	E16A06002M500	50000
1300480024	E16A06002M600	60000
1300480025	E16A06002M700	70000
1300480026	E16A06002M900	90000
1300480205	E16A06002M010	1000
1300480206	E16A06002M030	3000
1300480225	E16A06002M040	4000
1300480248	E16A06002M050	5000
1300480227	E16A06002M060	6000

ELECTRICAL DIAGRAM



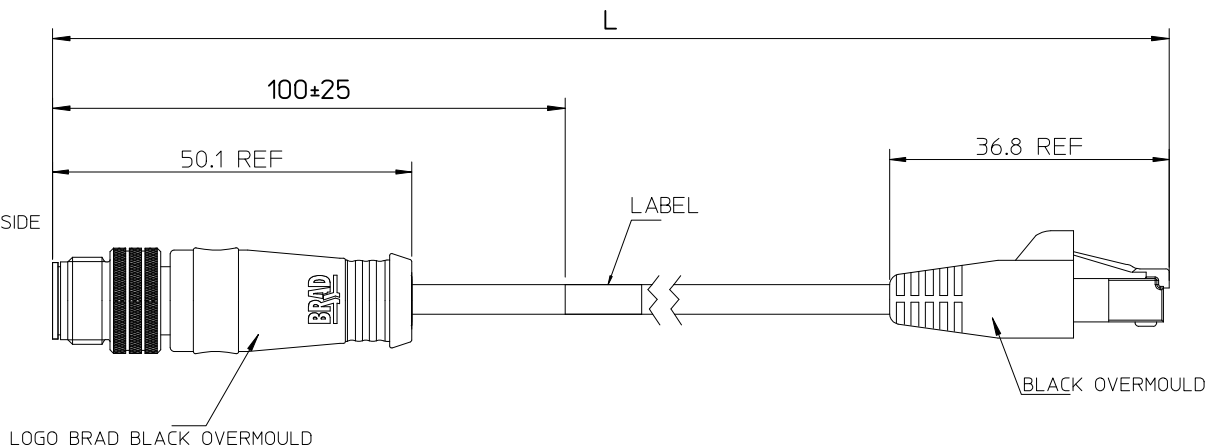
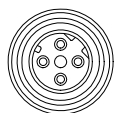
Tablica tolerancji długości Table of length tolerances		
Powyżej Over	Do-włącznie Up to and including	Tolerancja (+) Tolerance
0	305	+19
305	915	+45
915	1830	+56
1830	3660	+89
3660	7320	+165
7320	14640	+317
14640	30500	+610
30500	>	+2% długości of length

WIRING DIAGRAM

RJ45

Pin No.	Color	
1	ORANGE	OG
2	ORANGE/WHITE	OG/WH
3	BLUE	BU
6	BLUE/WHITE	BU/WH

VIEW FROM FRONT SIDE



ORIGINAL RELEASE EC NO: IPG2012-0729 DRWN:HWALCZAK 2012/04/03 CHKD: APPR:MDYSZEWSKA 2012/04/16 A	QUALITY SYMBOLS ▽=0 ◻=0	GENERAL TOLERANCES (UNLESS SPECIFIED)		DIMENSION STYLE MM ONLY		SCALE ---	DESIGN UNITS METRIC	FIRST ANGLE PROJECTION	
		4 PLACES ± --- ± --- 3 PLACES ± --- ± --- 2 PLACES ± --- ± --- 1 PLACE ± --- ± --- 0 PLACE ± --- ± ---		DRAWN BY HWALCZAK		DATE 2012/04/03	TITLE CSE M12 ETH 4P DC MA STR PVC MA STR XM DE BK		
		ANGULAR ± --- °		APPROVED BY MDYSZEWSKA		DATE 2012/04/16	DOCUMENT NO. SD-130048-004		
		DRAFT WHERE APPLICABLE MUST REMAIN WITHIN DIMENSIONS		SEE CHART 1		MATERIAL NO.			SHEET NO. 1 OF 1

Mouser Electronics

Authorized Distributor

Click to View Pricing, Inventory, Delivery & Lifecycle Information:

Molex:

[1300480205](#) [1300480227](#)